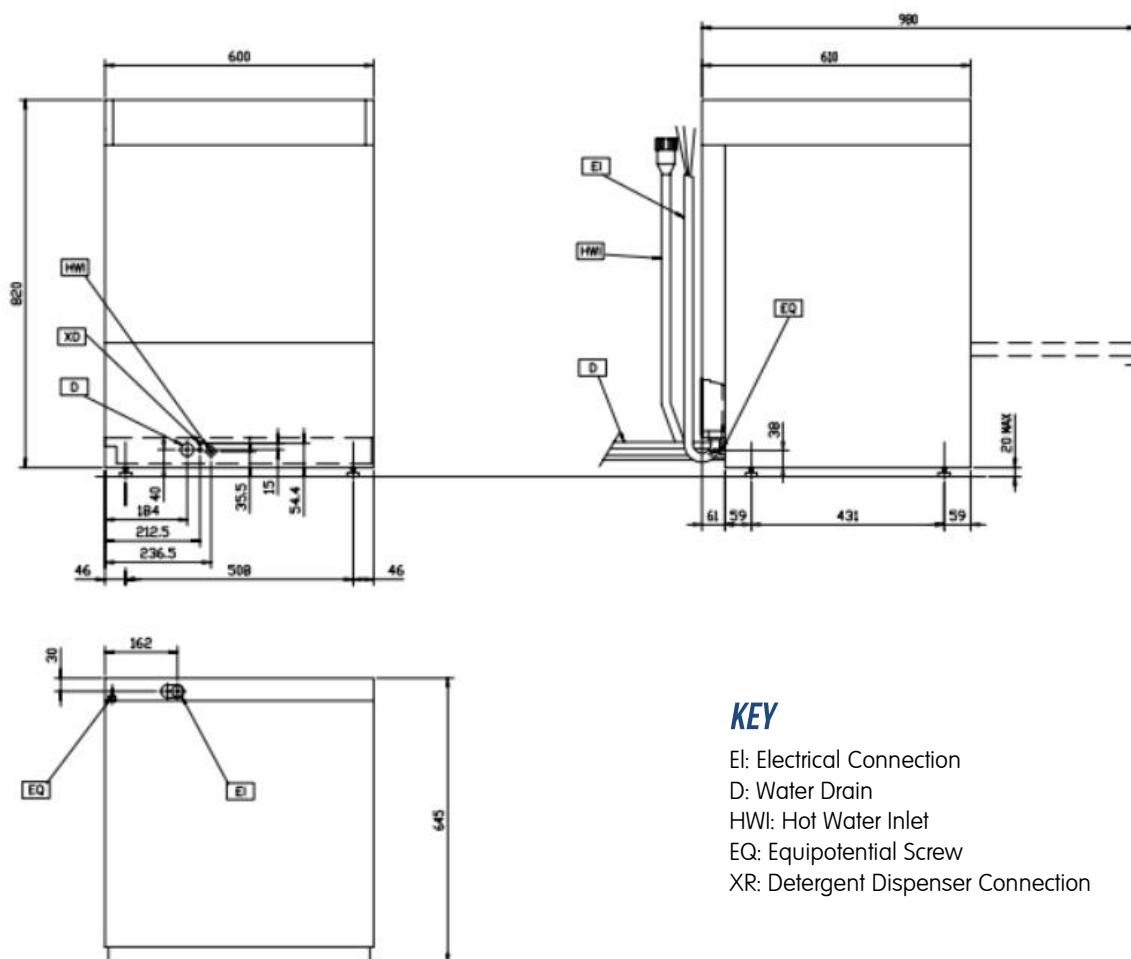


# CATER-WASH DLUX

## CK1543 HEAVY DUTY UNDERCOUNTER DISHWASHER



### KEY

- EI: Electrical Connection
- D: Water Drain
- HWI: Hot Water Inlet
- EQ: Equipotential Screw
- XR: Detergent Dispenser Connection