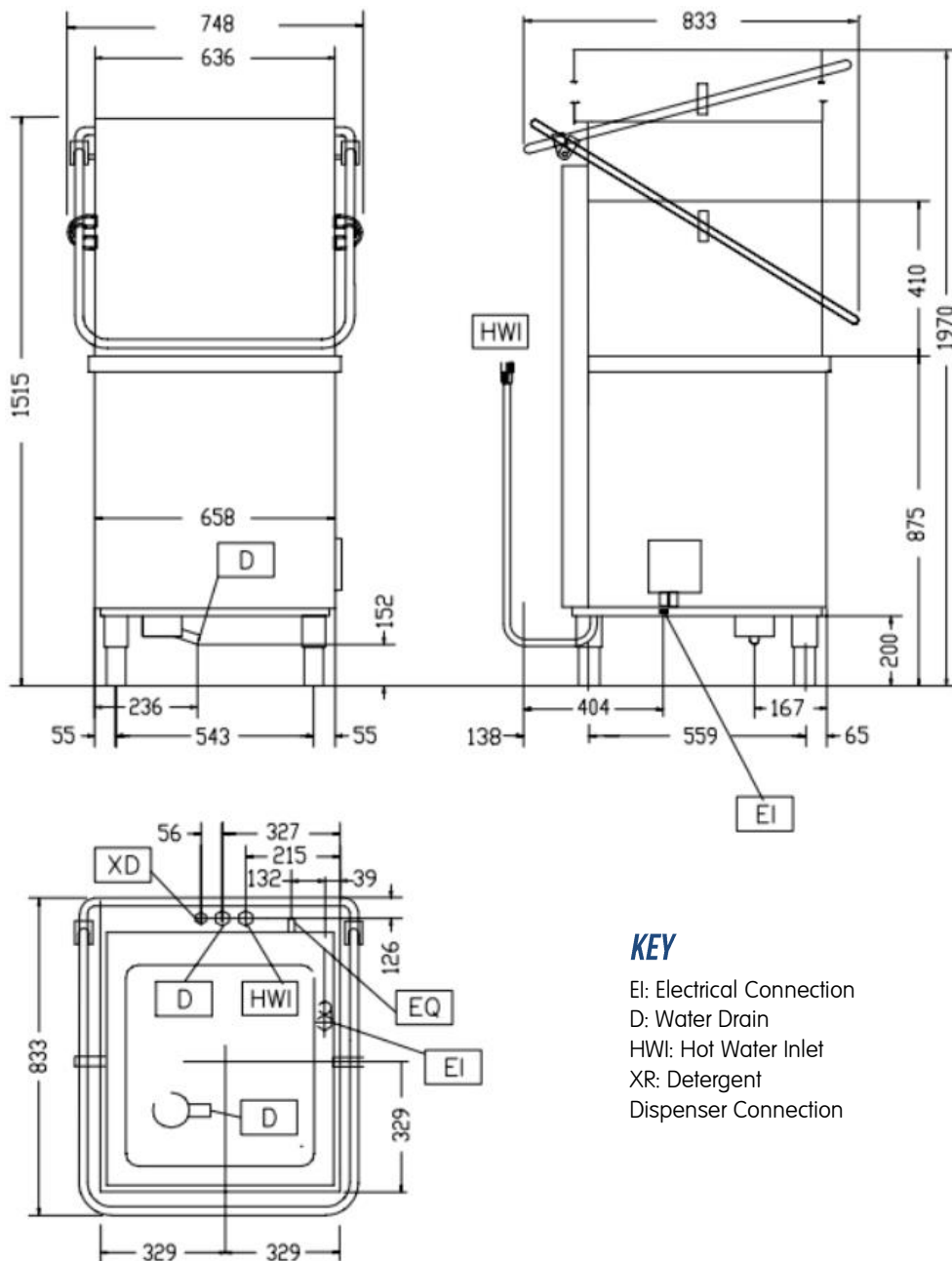


CATER-WASH
DLUX

CK1555

**HEAVY
DUTY
PASSTHROUGH
DISHWASHER**



KEY

- EI: Electrical Connection
- D: Water Drain
- HWI: Hot Water Inlet
- XR: Detergent Dispenser Connection