

Tumble dryer

QuickDry

Features and benefits

- A knob for simple programme selection and start
- Large, clear display
- Time and temperature selection for flexible use
- Residual Moisture Control for an accurate drying result and a low energy consumption
- Reversing drum for less tangling of large items
- Anti-wrinkle function prevents wrinkling of textiles if the dryer is not emptied
- Stainless steel drum
- The door can be switched from left to right mounting
- Powder coated black front panel, side panels and top cover



Main options

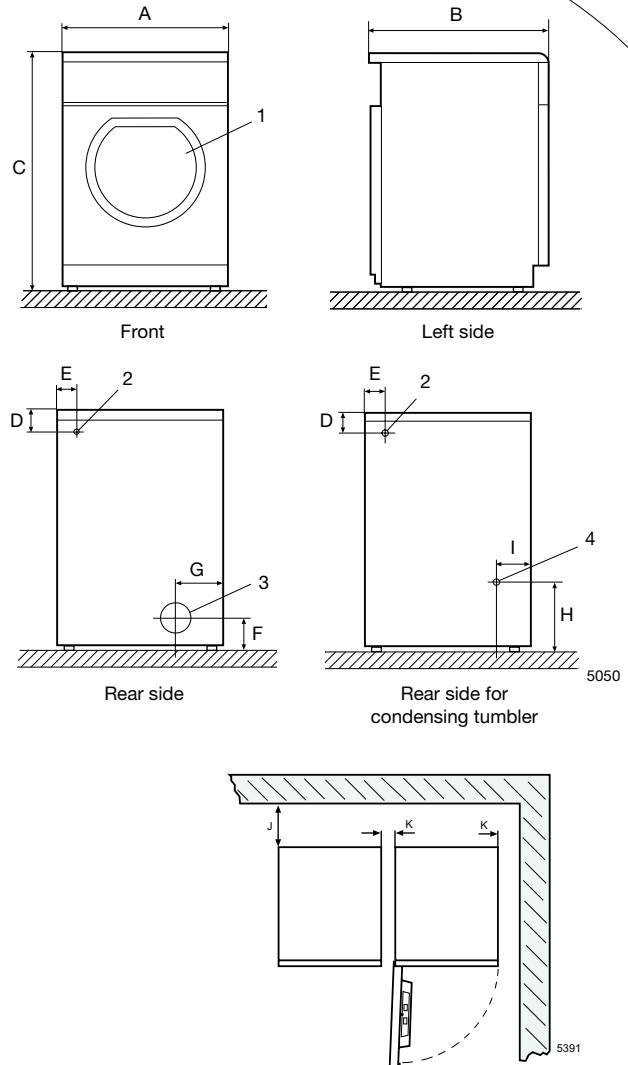
- Stacking frame for mounting QuickDry on top of QuickWash
- Stainless plinth for raising the machine to a comfortable height, 290 mm
- QuickDry is available as an evacuation dryer or condensation dryer

Main specifications		QuickDry		QuickDry Condense	
Rated capacity, filling factor 1:30	kg	4.3		4.3	
Rated capacity, filling factor 1:22	kg	5.9		5.9	
Drum volume	litre	130		130	
Drum diameter	mm	575		575	
Heating alternatives electric	kW	5.1 / 2.9		3.0 / 2.7	
Consumption data*		1:22	1:30	1:22	1:30
Total time full load	min	37 / 64	27 / 47	69 / 76	50 / 55
Energy consumption, full load	kWh	3.1	2.3	3.5	3.0
Evaporation	g/min	81 / 46	81 / 46	43 / 39	43 / 39

* At rated capacity 100% cotton load at 50% initial moisture dried to 0%.

Certified in accordance with ISO 9001 and ISO 14001 and approved IP X4.

Electrical connections			QuickDry	Condense
Heating Voltage				
El.	400V 3NAC 50 Hz	kW(A)	5.3 (10)	3.4 (10)
	240V 1AC 50 Hz	kW(A)	3.1 (13)	3.1 (13)
Connections				
Air outlet		mm	∅ 100	-
Evacuated air, el (5.1 kW)		m ³ /h	260	-
Evacuated air, el (2.9 kW)		m ³ /h	200	-
Condensate			-	1/2"
Pressure drop		Max. Pa	50	-
Sound levels				
Airborne sound level		dB(A)	<70	<70
Heat emission				
% of installed power, max			15	*
Shipping data				
	net, kg		60	63
	crated, kg		67	70
Shipping volume	net, m ³		0,52	0,52
	crated, m ³		0,63	0,63
Accessories				
Stacking frame for mounting QuickDry on top of QuickWash			x	x
Stainless steel base frame 290 mm			x	x
Dimensions in mm				
A Width			595	595
B Depth			735	735
C Height			850	850
D			78	78
E			78	78
F			100	100
G			197	197
H			235	235
I			115	115
J			300	300
K			70	70
1 Door opening ∅ 370				
2 Electrical connection				
3 Exhaust connection				
4 Condense connection				



Ventilation QuickDry with condensation unit

The energy used to dry your washing ends up in the room in the form of heat. This is why the room becomes too hot and requires ventilation when the tumble dryer is used. An air change rate of 400 m³/h is required with an outdoor temperature of 0 °C and a desired room temperature of 20-25 °C. A thermostat-controlled fan – part No. 9888020-43 – is available as an optional extra. The fan and fresh air intake are positioned as shown in the illustration. The advantage of condensation dryers is that you do not have to evacuate fluff gathered and moist air.

