

Electrolux Dishwashing

Hood Type

The Electrolux dishwashing range is produced for customers with the highest conceivable demands for good efficiency, economy and ergonomics for dishwashing operation. The product range consists on glasswashers, undercounter dishwashers, hood type dishwashers, rack type dishwashers, flight type dishwashers and pot and pan washers. The hood type dishwasher has a capacity of 67 baskets per hour or 1200 dishes .



505046

SANITIZATION AND PERFORMANCE

- Pressure boiler guarantees rinse quality by providing rinsing water at a temperature superior to 82.5°C (water is supplied at 2 bars and at 50°C).
- 4 second (variable) pause after washing and before rinsing ensures that no drops of unclean water will fall on the clean items at the end of the rinsing cycle.
- 3 different dishwashing cycles: glass and lightly soiled items (1st cycle of 54 seconds), standard soiled items (2nd cycle of 90 seconds) and heavy soiled items (3rd cycle of 150 seconds).
- Simple control panel with digital thermometers, indicating both wash & rinse temperatures, rinse aid dispenser.

- Electronic board with digital display incorporating fault diagnosis system, number of cycles counter and number of drain cycles counter.
- Fault auto-diagnosis system.

LOW RUNNING COSTS

- An effective rinse system that uses only 3 litres of clean hot water (at 2 bar water inlet pressure) per rack to ensure lower running costs (in energy, water and chemical consumption).

HYGIENE AND RELIABILITY

- All the machines have smooth surfaces and a wash tank with rounded corners to facilitate cleaning.

- Easily removable washing and rinsing arms, filters and rack support.
- The single skin hood is supported by 3 springs to ensure smooth movements and to guarantee operator safety.
- The fully automatic self-cleaning cycle avoids the risk of bacteria proliferation.
- The self-draining wash pump facilitates the evacuation of stagnant water after long periods of inactivity to ensure a higher level of hygiene.
- Frame, height adjustable feet, base, washing chamber, tank, tank filter, washing and rinsing arms, jets and screws in 304 AISI stainless steel to ensure long term reliability.



Electrolux

**Electrolux Dishwashing
Hood Type**

- 304L stainless steel boiler with higher welding protection improves the resistance against corrosion with chlorinated water.
- PVC water supply hose with metal connections resistant to high water pressure.
- The IPX4 water protection.
- Pre-arranged for on-site HACCP implementation and Energy Management device.

FLEXIBILITY AND ERGONOMICS

- The incorporated Soft Start feature offers additional protection to delicate items such as glassware and crockery and increases wash pump reliability.
- Three phase electrical connection, convertible on-site.
- Hood handle on three sides thus facilitating the use in corner installation.
- Suitable to be connected to specific pre-wash tabling, service entry and exit tabling and roller conveyor tabling – included in Electrolux Professional Handling System range.
- The machine will start with the closing of the hood and stops

- when the hood is opened.
- Open hood on the back side to prevent steam blasts to the operator.
 - All machines are pre-arranged to accept external dispensers.

EASY ON THE ENVIRONMENT

- 97% recyclable by weight.
- CFC free packaging.
- Low noise level.
- Developed and produced in ISO 9001 and ISO 14001 certified factory.
- In compliance with CE requirements.

* Duration cycle: declared actual cycle duration times can extend when water supply temperature is lower than indicated.

	EHT 505046	EHT60 505047	EHTG 505048
TECHNICAL DATA			
Water supply			
temperature - °C	50	50	50
hardness - °f	7-14	7-14	7-14
Drain pump			●
Rinse Booster Pump			●
Detergent dispenser			●
Rinse aid dispenser	●	●	●
N° of cycles	3	3	3
Duration cycles - sec.	54/90/150	54/90/150	54/90/150
Dishes capacity/h	1200	1200	1200
Basket capacity/h	67	67	67
Door/hood thickness	Single Skin	Single Skin	Single Skin
External dimensions - mm			
width	748	748	748
depth	833	833	833
height	1515	1515	1515
Cell dimensions - mm			
width	585	585	585
depth	560	560	560
height	409	409	409
Washing cycle			
temperature -°C	55-65	55-65	55-65
tank capacity - lt.	42	42	42
power pump - kW	0.8	0.8	0.8
electrical elements - kW	2.2	2.2	2.2
Hot rinse cycle			
duration - sec.	16	16	12
temperature during rinse - °C	80-90	80-90	85
water consumption - lt./cycle	3	3	3
Boiler capacity - lt.	12	12	12
Boiler elements - kW	9	9	9
Power - kW			
drain pump			0.034
Rinse pump			0.35
total power	9.9	9.9	9.9
Noise level - dBA	<68	<68	<68
Net weight - kg.	98	98	98
Supply voltage	400 V, 3N, 50	400 V, 3N, 60	230 V, 1N, 50
Convertible to	230 V / 1+N / 50 Hz; 230 V / 3 / 50 Hz	230 V / 1+N / 60 Hz; 230 V / 3 / 60 Hz	400 V / 3+N / 50 Hz; 230 V / 3 / 50 Hz

**Electrolux Dishwashing
Hood Type**

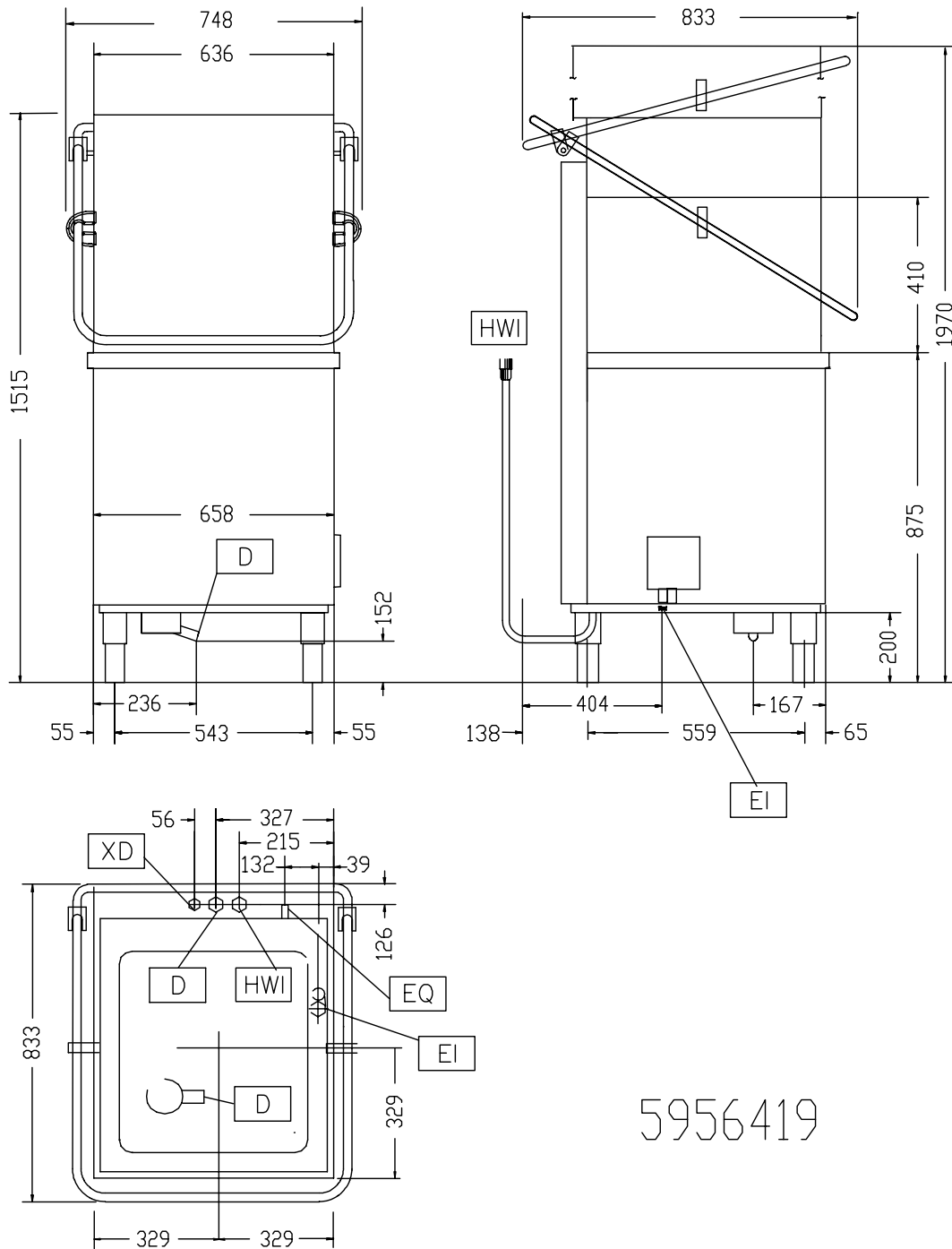
IDA010

2009-08-11

	EHT 505046	EHT60 505047	EHTG 505048
INCLUDED ACCESSORIES			
BASKET FOR 18 DINNER PLATES 240MM-YELLOW	1	1	1
YELLOW CUTLERY CONTAINER	1	1	1
ACCESSORIES			
"NOT TRANSLATED"	864015	864015	864015
"NOT TRANSLATED"	864017	864017	864017
"NOT TRANSLATED"			864026
"NOT TRANSLATED"	864027	864027	
"NOT TRANSLATED"	864050	864050	864050
"NOT TRANSLATED"	867024	867024	
"NOT TRANSLATED"	922166	922166	922166
20 L EXTERNAL MANUAL WATER SOFTENER	860430	860430	860430
BASKET F.16 VERTIC.GLASSES (H70MM)-BLUE	867023	867023	867023
BASKET FOR 12 SOUP BOWLS 240MM-GREEN	867000	867000	867000
BASKET FOR 18 DINNER PLATES 240MM-YELLOW	867002	867002	867002
BASKET FOR 48 SMALL CUPS/24 CUPS-BLUE	867007	867007	867007
BASKET FOR 6 TRAYS 530X370MM-RED	866743	866743	866743
BASKET FOR BULK CUTLERY-BROWN	867009	867009	867009
BRASS INLET VALVE KIT FOR UC AND HT	864000	864000	864000
COVER GRID FOR SMALL/LIGHT ITEMS IN RACK	867016	867016	867016
DETERGENT LEVEL PROBE KIT FOR UC+HT DW	864004	864004	864004
DETERGENT PUMP KIT	864218	864218	
DRAIN PUMP KIT FOR 50HZ DISHWASHERS	864199		
HACCP PRINTER KIT FOR UC, HT AND POTW	864002	864002	864002
INTEGRATED HACCP KIT FOR UC, HT AND POTW	864001	864001	864001
KIT 4 PLASTIC BOXES FOR CUTLERY-YELLOW	865574	865574	865574
KIT 8 PLASTIC BOXES FOR CUTLERY-YELLOW	780068	780068	780068
KIT PRESSURE BOOSTER FOR RINSING WATER	860415	860415	
RINSE AID LEVEL PROBE KIT FOR UC+HT DW	864005	864005	864005
YELLOW CUTLERY CONTAINER	864242	864242	864242

**Electrolux Dishwashing
Hood Type**

505046, 505048, 505047



5956419

IDA010

2009-08-11

LEGEND	EHT 505046	EHT60 505047	EHTG 505048
D - Water drain	40mm	40mm	20.5mm
EI - Electrical connection	400 V, 3N, 50	400 V, 3N, 60	230 V, 1N, 50
EQ - Equipotential Screw	●	●	●
HWI - Hot water inlet	G 3/4"	G 3/4"	G 3/4"
XR - Connection for detergent dispenser	●	●	●