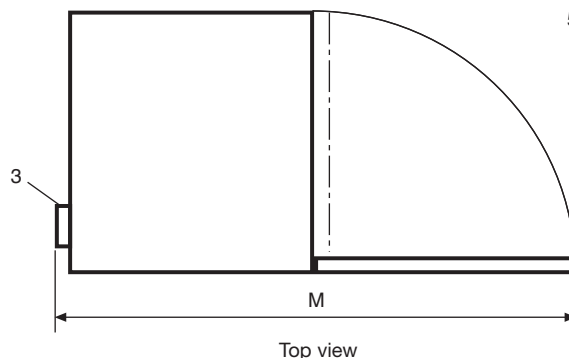
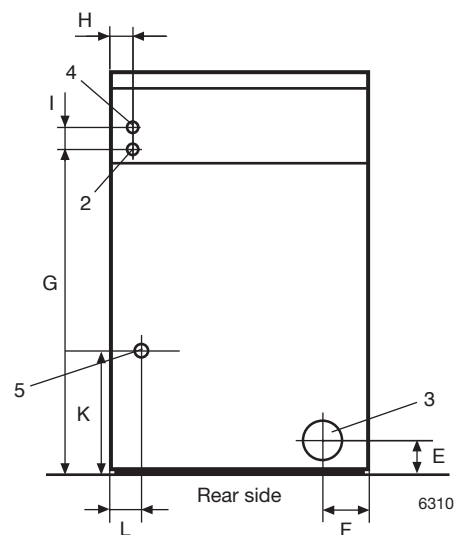
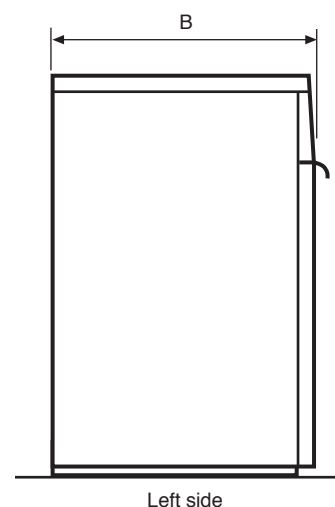
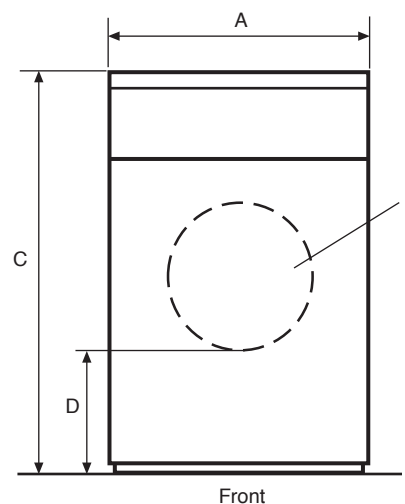




Electrical connections			T4190
Heating Voltage			
El.	230-240V 1AC 50/60 Hz	kW (A)	6.3 (35)
	208-240V 3AC 60 Hz	kW (A)	6.3 (20)
	230-240V 3AC 50/60 Hz	kW (A)	8.3 (25)
	400V 3NAC 50/60 Hz	kW (A)	6.3 (10)
	400V 3NAC 50/60 Hz	kW (A)	8.3 (16)
Gas	230-240V 1AC 50/60 Hz	kW (A)	0.25 (10)
	208-240V 3AC 60 Hz	kW (A)	0.25 (10)
	230-240V 3AC 50/60 Hz	kW (A)	0.25 (10)
	400V 3NAC 50/60 Hz	kW (A)	0.25 (10)
Gas and air connections			
Gas	ISO 7/1-R		1/2"
Gas pressure	Natural gas	Pa	2000
		mbar	20
	Propane	Pa	2800-5000
		mbar	30
Air outlet		ø mm	125
Evacuated air	6 kW	m <sup>3</sup> /h	270
	8 kW		290
Pressure drop	6 kW	Max. Pa	380
	8 kW		350
Sound levels			
Airborne sound level			
L <sub>w</sub>		dB(A)	<68
Heat emission			
% of installed power, max			15
Shipping data			
		net, kg	103
		crated, kg	114
		crated, m <sup>3</sup>	0.8
Dimensions in mm			
A	Width		720
B	Depth		745
C	Height		1130
D			420
E			110
F			120
G			960
H			45
I			55
K			575
L			80
M			1445
1	Door opening ø 400		4 Central payment connection
2	Electrical connection		5 Gas connection
3	Exhaust connection		

\* Other voltages available see installation manual.



**Electrolux**

www.electrolux.com/professional

Share more of our thinking at [www.electrolux.com](http://www.electrolux.com)

Art. No. 438903161/01 07.04  
We reserve the right to alter specifications without notice.