



Electrolux

Modular Cooking Range Line 700XP 4-Burner Gas Range on Electric Oven

ITEM # _____

MODEL # _____

NAME # _____

SIS # _____

AIA # _____



Electrolux



Modular Cooking Range Line 700XP 4-Burner Gas Range on Electric Oven

371003 (E7GCGH4CE0) 4-burner (5,5 kW each) gas
range on electric oven (6 kW)

371125 (E7GCGH4CEN) 4-burner (5,5 kW each) gas
range on electric oven (6 kW)

Short Form Specification

Item No. _____

To be installed on stainless steel feet with height adjustment up to 50 mm. High efficiency flower flame burners with flame regulator and protected pilot light. Flame failure device as standard on burners to protect against accidental extinguishing. Stainless steel oven chamber with 3 levels of runners to accommodate 2/1 GN shelves (2 steam pans). Ribbed oven base plate. Exterior panels in stainless steel with Scotch Brite finish. Pan supports in heavy duty cast iron. One piece pressed work top in 1.5 mm thick stainless steel. Right-angled side edges to allow flush-fitting junction between units.

Main Features

- Unit to have stainless steel feet with height adjustment up to 50 mm.
- The four 5.5 kW high efficiency flower flame burners allow the flame to adapt to different size pans.
- Gas appliance supplied for use with natural or LPG gas, conversion jets supplied as standard.
- Large sized pan support in cast iron (stainless steel as option) with long center fins to allow the use of the largest down to the smallest pans.
- Pan supports in cast iron are washable in a dishwasher.
- Burners to feature flame regulator.
- Flame failure device on each burner protects against gas leakage when accidental extinguishing of the flame occurs.
- Protected pilot light.
- Base compartment consists of an electric standard oven positioned beneath the base plate. Stainless steel oven chamber to have 3 levels of runners to accommodate 2/1 GN shelves (2 steam pans) and ribbed enamelled steel base plate.
- Oven thermostat adjustable from 140 °C to 300 °C.
- Double skinned door with pressed internal panel for heat insulation.
- IPX 4 water protection.

Construction

- All exterior panels in Stainless Steel with Scotch Brite finishing.
- One piece pressed 1.5 mm work top in Stainless steel.
- Model has right-angled side edges to allow flush fitting joints between units, eliminating gaps and possible dirt traps.

Included Accessories

- 1 of GN2/1 chrome grid for static oven PNC 164250

Optional Accessories

- GN2/1 chrome grid for static oven PNC 164250
- Draught diverter with 150mm diameter PNC 206132
- Matching ring for flue condenser PNC 206133
- 4 wheels, 2 swivelling with brake PNC 206135
(700/900XP). It is mandatory to install with base supports for feet/wheels.
- Flanged feet kit PNC 206136
- Frontal kicking strip for concrete installation, 200mm PNC 206146

APPROVAL: _____



Electrolux

Modular Cooking Range Line 700XP 4-Burner Gas Range on Electric Oven

- Frontal kicking strip for concrete installation, 400mm PNC 206147
- Frontal kicking strip for concrete installation, 800mm PNC 206148
- Frontal kicking strip for concrete installation, 1000mm PNC 206150
- Frontal kicking strip for concrete installation, 1200mm PNC 206151
- Frontal kicking strip for concrete installation, 1600mm PNC 206152
- Frontal kicking strip, 200mm (not for refr-freezer base) PNC 206174
- Frontal kicking strip, 400mm (not for refr-freezer base) PNC 206175
- Frontal kicking strip, 800mm (not for refr-freezer base) PNC 206176
- Frontal kicking strip, 1000mm (not for refr-freezer base) PNC 206177
- Frontal kicking strip, 1200mm (not for refr-freezer base) PNC 206178
- Frontal kicking strip, 1600mm (not for refr-freezer base) PNC 206179
- 4 feet for concrete installation PNC 206210
- Flue condenser for 1 module, 150 mm diameter PNC 206246
- Pair of side kicking strips PNC 206249
- Single burner smooth plate for direct cooking - fits frontal burners only PNC 206260
- Single burner ribbed plate for direct cooking- fits frontal burners only PNC 206261
- Single burner radiant plate for pan support PNC 206264
- Pair of side kicking strips for concrete installation PNC 206265
- Water column with swivel arm (water column extension not included) PNC 206289
- Water column extension for 700 line PNC 206291
- Stainless steel double grid for 2 burners (only for 371003) PNC 206297
- Chimney upstand, 800mm PNC 206304
- Right and left side handrails PNC 206307
- Wok pan support for open burners (700/900) PNC 206363
- Base support for feet or wheels - 400mm (700/900XP) PNC 206366
- Base support for feet or wheels - 800mm (700/900) PNC 206367
- Base support for feet or wheels - 1200mm (700/900) PNC 206368
- Base support for feet or wheels - 1600mm (700/900) PNC 206369
- Base support for feet or wheels - 2000mm (700/900) PNC 206370
- Rear paneling - 800mm (700/900) PNC 206374
- Rear paneling - 1000mm (700/900) PNC 206375
- Rear paneling - 1200mm (700/900) PNC 206376
- KIT TOWN GAS NOZZLES (G150)- COOKERS 700 (only for 371003) PNC 206387
- 2 side covering panels, h=700mm, d=700mm PNC 216000
- Frontal handrail 800mm PNC 216047
- Frontal handrail 1200mm PNC 216049
- Frontal handrail 1600mm PNC 216050
- Large handrail - portioning shelf, 400mm PNC 216185
- Large handrail - portioning shelf, 800mm PNC 216186
- Double burner smooth plate for direct cooking PNC 921684
- Double burner ribbed plate for direct cooking PNC 921685



**Modular Cooking Range Line
700XP 4-Burner Gas Range on Electric Oven**

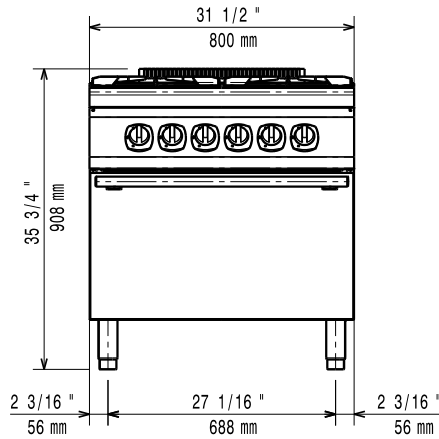
The company reserves the right to make modifications to the products without prior notice. All information correct at time of printing.



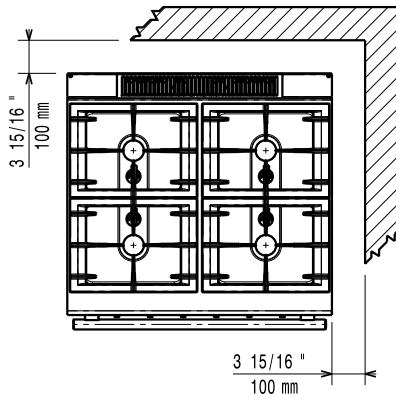
Electrolux

Modular Cooking Range Line 700XP 4-Burner Gas Range on Electric Oven

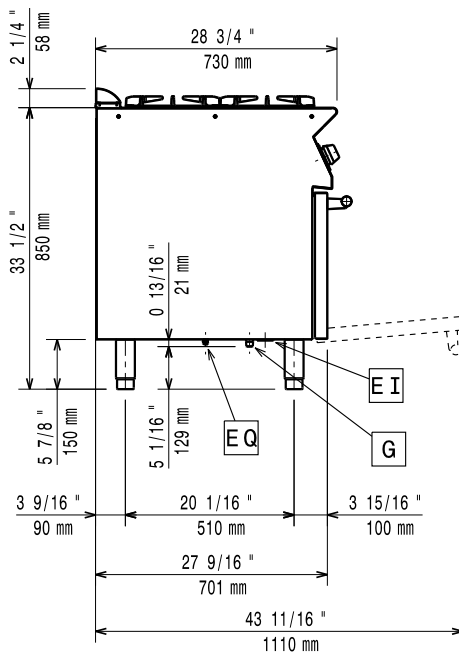
Front



Top



Side



EI = Electrical connection
G = Gas connection

Electric

Supply voltage:

371003 (E7GCGH4CE0)	400 V/3N ph/50/60 Hz
371125 (E7GCGH4CEN)	230 V/3 ph/50/60 Hz

Connected load:

6 kW

Total Watts:

6 kW

Oven Heat Input:

6 kW

Gas

Gas Power:

74998 Btu/hr (22 kW)

Gas Type Option:

LPG;Town

Gas Inlet:

1/2"

Natural gas - Pressure:

371003 (E7GCGH4CE0)	7" w.c. (17.4 mbar)
---------------------	---------------------

LPG Gas Pressure:

371003 (E7GCGH4CE0)	11" w.c. (27.7 mbar)
---------------------	----------------------

Key Information

Front Burners Power	5.5 - 5.5 kW
Back Burners Power	5.5 - 5.5 kW
Back Burners Dimension - mm	Ø 60 Ø 60
Front Burners Dimension - mm	Ø 60 Ø 60
Oven working Temperature:	140 °C MIN; 300 °C MAX
Oven Cavity Dimensions (width):	540 mm
Oven Cavity Dimensions (height):	300 mm
Oven Cavity Dimensions (depth):	650 mm
Net weight:	80 kg
Shipping weight:	
371003 (E7GCGH4CE0)	104 kg
371125 (E7GCGH4CEN)	95 kg
Shipping height:	1140 mm
Shipping width:	
371003 (E7GCGH4CE0)	810 mm
371125 (E7GCGH4CEN)	900 mm
Shipping depth:	
371003 (E7GCGH4CE0)	860 mm
371125 (E7GCGH4CEN)	820 mm
Shipping volume:	
371003 (E7GCGH4CE0)	0.79 m ³
371125 (E7GCGH4CEN)	0.84 m ³

If appliance is set up or next to or against temperature sensitive furniture or similar, a safety gap of approximately 150 mm should be maintained or some form of heat insulation fitted.



Modular Cooking Range Line
700XP 4-Burner Gas Range on Electric Oven

The company reserves the right to make modifications to the products without prior notice. All information correct at time of printing.

2014.06.23