

Salamanders

Gas Salamander, open on 3 sides - 750mm

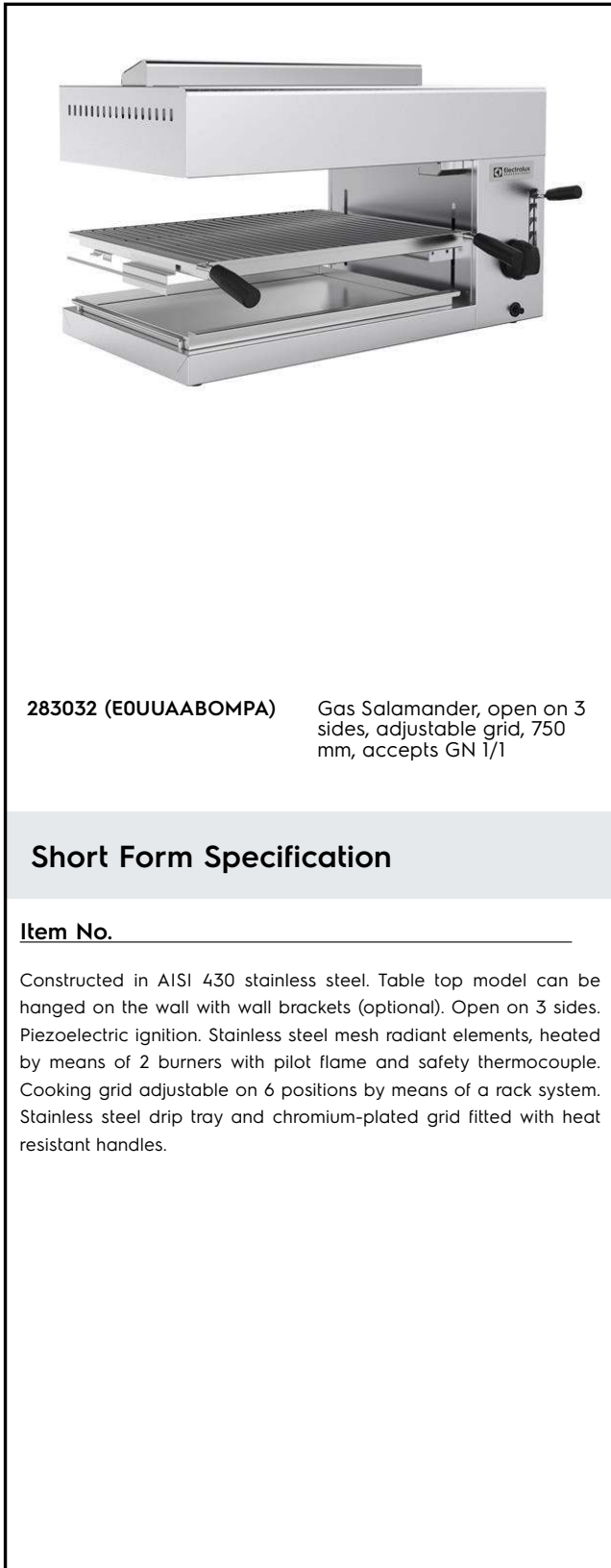
ITEM # _____

MODEL # _____

NAME # _____

SIS # _____

AIA # _____


283032 (E0UUAABOMPA)

Gas Salamander, open on 3 sides, adjustable grid, 750 mm, accepts GN 1/1

Short Form Specification

Item No. _____

Constructed in AISI 430 stainless steel. Table top model can be hanged on the wall with wall brackets (optional). Open on 3 sides. Piezoelectric ignition. Stainless steel mesh radiant elements, heated by means of 2 burners with pilot flame and safety thermocouple. Cooking grid adjustable on 6 positions by means of a rack system. Stainless steel drip tray and chromium-plated grid fitted with heat resistant handles.

Main Features

- 2 burners of 3,7kW each featuring safety pilot and thermocouple.
- Piezo ignition.
- Cooking plate size: 575x400 mm accept GN1/1.
- Open 3 sides for rapid cooling and ease of use.

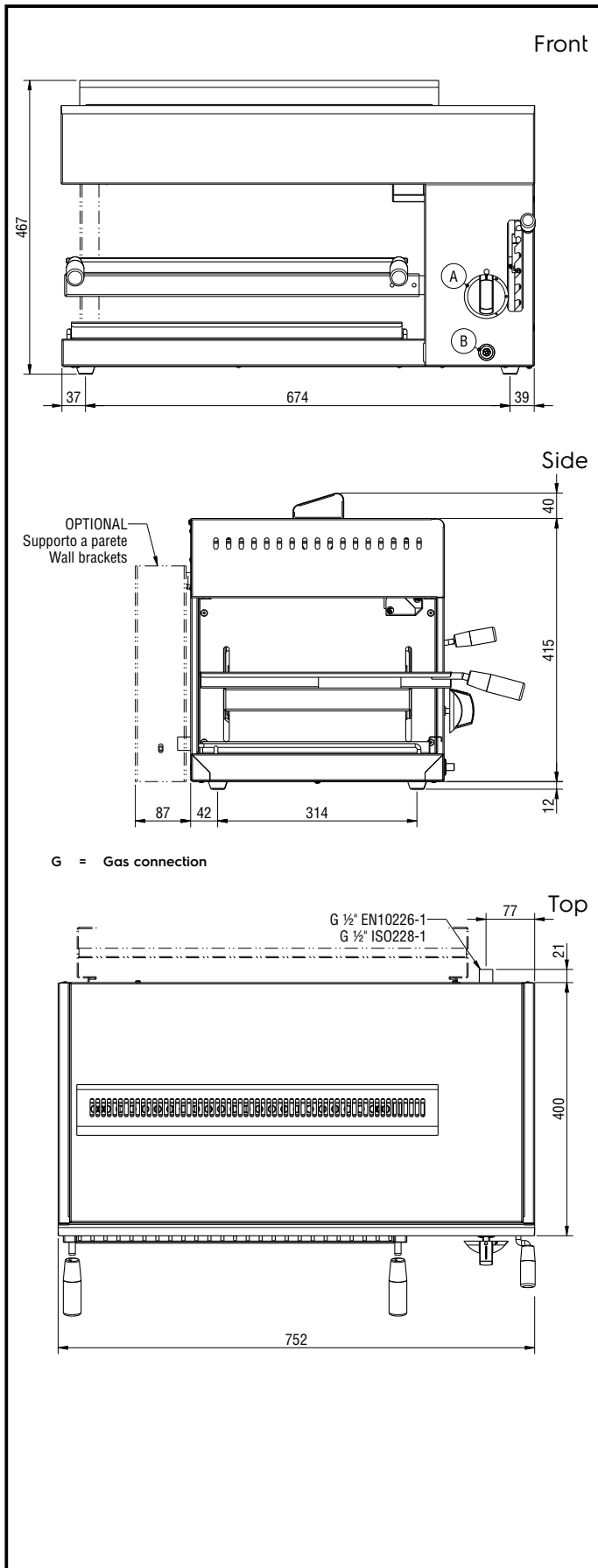
Construction

- Entirely constructed in 430 AISI stainless steel.
- Removable stainless steel drip tray and chromium-plated grid.
- Height of the grid can be adjusted on 6 different levels through the rack system.
- Grid can slide on runners and is provided with a security lock to avoid accidental fall.
- Table top unit can be wall mounted with dedicated optional accessory.
- 4 rubber feet.

Optional Accessories

- Wall mounted brackets kit for salamanders open on 1 side PNC 283036

APPROVAL: _____



Gas

Gas Power:
 283032 (E0UUAABOMPA) 7.4 kW
Standard gas delivery: Natural Gas

Key Information:

External dimensions, Width: 752 mm
External dimensions, Depth: 500 mm
External dimensions, Height: 467 mm
Net weight: 41 kg
N° of grid levels: 6