

**GLASSWASHER SINGLE SKIN
LAVABICCHIERI A SINGOLA PARETE**

**XS & S SERIES
SERIE XS & S**

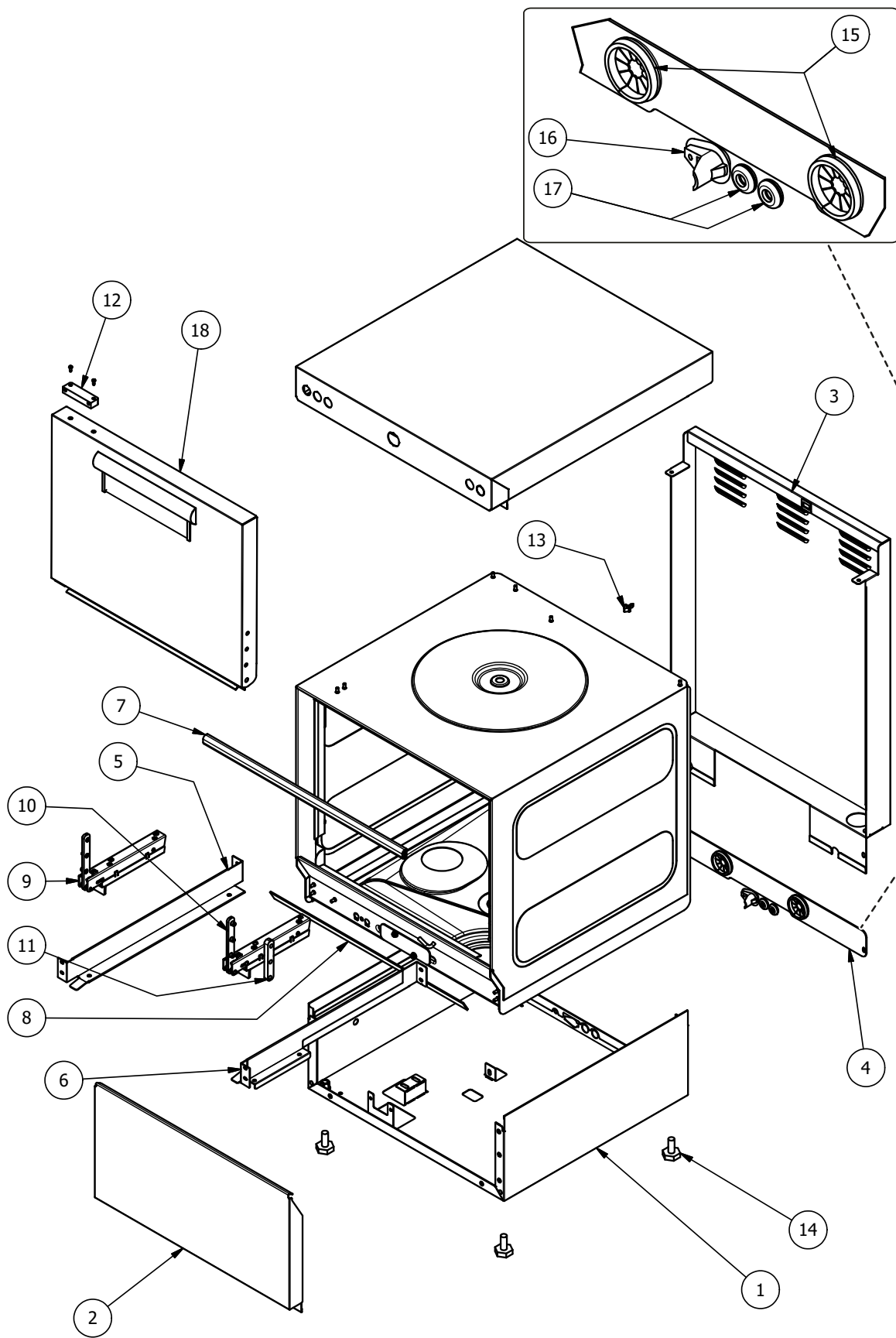
PNC	MODEL	REF.	DESCRIPTION	NOTE/BRAND
402272	EXS	a	GW (XS), SINGLE SKIN, 30B/H	Elux. Prof.
402273	EXSR	b	GW (XS), SINGLE SKIN, ROUND BASKET, 30B/H	Elux. Prof.
402274	EXSP	c	GW (XS), SINGLE SKIN, DRAIN PUMP, 30B/H	Elux. Prof.
402275	EXSG	d	GW (XS), SINGLE SKIN, DRAIN P., DET. DISP, 30B/H	Elux. Prof.
402276	EXSG6	e	GW (XS), SINGLE SKIN, DRAIN P., DET. DISP, 60HZ, 30B/H	Elux. Prof.
402277	ZXS	f	GW (XS), SINGLE SKIN, 30B/H	Zanussi
402278	ZXSP	g	GW (XS), SINGLE SKIN, DRAIN PUMP, 30B/H	Zanussi
402279	ZXSG	h	GW (XS), SINGLE SKIN, DRAIN P., DET. DISP, 30B/H	Zanussi
402280	ZXSG6	i	GW (XS), SINGLE SKIN, DRAIN P., DET. DISP, 60HZ, 30B/H	Zanussi
402281	VXS	j	GW (XS), SINGLE SKIN, 30B/H	Veetsan
402282	VXSG	k	GW (XS), SINGLE SKIN, DRAIN P., DET. DISP, 30B/H	Veetsan*
402283	NXS	l	GW (XS), SINGLE SKIN, 30B/H	To Brand
402284	NXSP	m	GW (XS), SINGLE SKIN, DRAIN PUMP, 30B/H	To Brand
402285	NXSDU	n	GW (XS), SINGLE SKIN, DET. DISP, UK PLUG, 30B/H	To Brand
402286	NXSG	o	GW (XS), SINGLE SKIN, DRAIN P., DET. DISP, 30B/H	To Brand
402287	NXSGU	p	GW (XS), SINGLE SKIN, DRAIN P., DET. DISP, UK PLUG, 30B/H	To Brand
402288	ES	q	GW (S), SINGLE SKIN, 30B/H	Elux. Prof.
402289	ESP	r	GW (S), SINGLE SKIN, DRAIN PUMP, 30B/H	Elux. Prof.
402290	ESG	s	GW (S), SINGLE SKIN, DRAIN P., DET. DISP., 30B/H	Elux. Prof.
402291	ESGU	t	GW (S), SINGLE SKIN, DRAIN P., DET. DISP., UK PLUG, 30B/H	Elux. Prof.
402292	ESGC	u	GW (S), SINGLE SKIN, DRAIN P., DET. DISP., COLD RINSE, 30B/H	Elux. Prof.
402293	ZS	v	GW (S), SINGLE SKIN, 30B/H	Zanussi
402294	ZSP	w	GW (S), SINGLE SKIN, DRAIN PUMP, 30B/H	Zanussi
402295	ZSG	x	GW (S), SINGLE SKIN, DRAIN P., DET. DISP., 30B/H	Zanussi
402296	ZSGU	y	GW (S), SINGLE SKIN, DRAIN P., DET. DISP., UK PLUG, 30B/H	Zanussi
402297	ZSG6	z	GW (S), SINGLE SKIN, DRAIN P., DET. DISP., 60HZ, 30B/H	Zanussi
402298	ZSGC	a1	GW (S), SINGLE SKIN, DRAIN P., DET. DISP., COLD RINSE, 30B/H	Zanussi
402299	VS	b1	GW (S), SINGLE SKIN, 30B/H	Veetsan
402300	VSP	c1	GW (S), SINGLE SKIN, DRAIN PUMP, 30B/H	Veetsan

PNC	MODEL	REF.	DESCRIPTION	NOTE/BRAND
402302	VSG	d1	GW (S), SINGLE SKIN, DRAIN P., DET. DISP., 30B/H	Veetsan*
402303	NS	e1	GW (S), SINGLE SKIN, 30B/H	To Brand
402304	NSP	f1	GW (S), SINGLE SKIN, DRAIN PUMP, 30B/H	To Brand
402306	NSDU	g1	GW (S), SINGLE SKIN, DET. DISP. UK PLUG, 30B/H	To Brand
402309	NSG	h1	GW (S), SINGLE SKIN, DRAIN P., DET. DISP., 30B/H	To Brand
402310	NSGU	i1	GW (S), SINGLE SKIN, DRAIN P., DET. DISP., UK PLUG, 30B/H	To Brand
402312	EMSGBTF	j1	GW (S), SINGLE SKIN, DP, DET. DISP., RBP, TANK FILTER, 30B/H	Elux. Prof.

INDEX - INDICE

PAG.

PANELS - PANNELLI	4
ELECTRICAL COMPONENTS - COMPONENTI ELETTRICI	6
HYDRAULIC COMPONENTS - COMPONENTI IDRAULICI	8
WASHING ARMS (XS) - BRACCIA DI LAVAGGIO (XS)	10
WASHING ARMS (S) - BRACCIA DI LAVAGGIO (S)	12
DRAIN PUMP - POMPA DI SCARICO	14
CONTROL PANEL XS ELUX. PROF. - PANNELLO DI CONTROLLO XS ELUX. PROF.	16
CONTROL PANEL S ELUX. PROF. - PANNELLO DI CONTROLLO S ELUX. PROF.	18
CONTROL PANEL XS ZANUSSI - PANNELLO DI CONTROLLO XS ZANUSSI	20
CONTROL PANEL S ZANUSSI - PANNELLO DI CONTROLLO S ZANUSSI	22
CONTROL PANEL XS/S TO BRAND - PANNELLO DI CONTROLLO XS/S TO BRAND	24
CONTROL PANEL XS VEETSAN - PANNELLO DI CONTROLLO XS VEETSAN	26
CONTROL PANEL S VEETSAN - PANNELLO DI CONTROLLO S VEETSAN	28
CONTROL PANEL XS/S VEETSAN* - PANNELLO DI CONTROLLO XS/S VEETSAN*	30
WASH PUMP COMPONENTS - COMPONENTI POMPA DI LAVAGGIO	32
DETERGENT PUMP - DOSATORE DETERGENTE	34



PANELS - PANNELLI

XS & S SERIES
SERIE XS & S

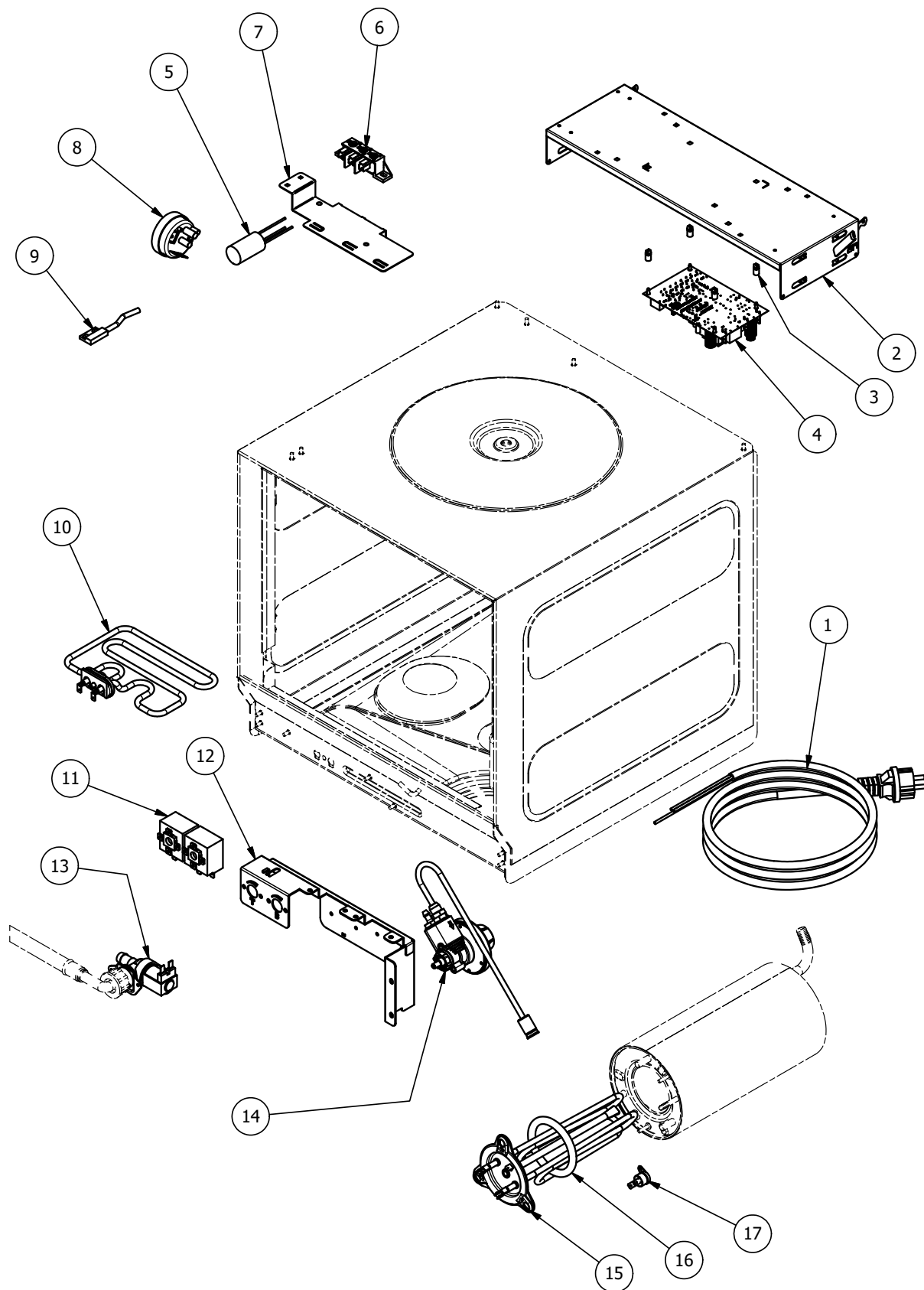
GLASSWASHER SINGLE SKIN
LAVABICCHIERI A SINGOLA PARETE

POS	SPARE PART CODE	FACTORY CODE	DESCRIZIONE	DESCRIPTION	REF./ NOTES
1		640200002	ASSIEME BASAMENTO - XS	BASE ASSEMBLY - XS	
1		640200003	ASS. BASAMENTO - S	BASE ASSEMBLY - S	
2		1740700001	PANN. SOTTOPORTA INFERIORE - S	LOWER FRONT PANEL - S	
2		1740700002	PANN. SOTTOPORTA INFERIORE -XS	LOWER FRONT PANEL - XS	
3		1640200001	SCHIENALE INTERO - S	REAR PANEL - S	
3		1640200002	SCHIENALE INTERO - XS	REAR PANEL - XS	
4		3012-0002	SCHIENALE INFERIORE - XS	LOWER REAR PANEL - XS	
4		3012-0003	SCHIENALE INFERIORE - S	LOWER REAR PANEL - S	
5		3004-0008	SLITTA SX - S	LH INTERNAL SLIDE GUIDE - S	
5		3004-0017	SLITTA SX - XS	LH INTERNAL SLIDE GUIDE - XS	
6		3004-0009	SLITTA DX - S	RH INTERNAL SLIDE GUIDE - S	
6		3004-0016	SLITTA DX - XS	RH INTERNAL SLIDE GUIDE - XS	
7		00017706	GUARNIZIONE PORTA L=450mm	DOOR GASKET L=450mm	
8		00004084	GUARN. GOMMA EPDM L=500mm	EPDM GASKET L=500mm	
9		00017782	ASS CERNIERA DX - S	RH HINGE ASSEMBLY - S	
9		00017784	ASS CERNIERA DX - XS	RH HINGE ASSEMBLY - XS	
10		00017783	ASS CERNIERA SX - S	LH HINGE ASSEMBLY - S	
10		00017785	ASS CERNIERA SX - XS	LH HINGE ASSEMBLY - XS	
11		00016050	DISTANZIALE CERNIERA PORTA	HINGE SPACER	
12		00005679	UNITA' MAGNETICA	MAGNETIC UNIT	
13		00015239	CHIUSURA MASCHIO FISSAGGIO	MALE PLASTIC LATCH	
14		00006662	PIEDINO REGOLABILE	ADJUSTABLE FOOT	
15		00017100	PASSACAPO RIGIDO CON MEMBRANA	RIGID CABLE GUIDE	
16		00000612	FERMACAPO	CABLE CLAMP	
17		2005-0005	PASSATUBO PVC	PVC HOSE GUIDE	
18		8380-0130	ASS. PORTA ELECTROLUX	ELECTROLUX DOOR ASS.	a,b,c,d,e
18		8380-0131	ASS. PORTA ZANUSSI / VEETSAN STAR	ZANUSSI / VEETSAN STAR DOOR ASS.	f,g,h,i,k
18		8380-0132	ASS. PORTA OEM / VEETSAN	OEM / VEETSAN DOOR ASS.	j,l,m,n,o,p
18		160700010	ASS. PORTA ELECTROLUX	ELECTROLUX DOOR ASS.	q,r,s,t,u,j1
18		8380-0032	ASS. PORTA ZANUSSI / VEETSAN STAR	ZANUSSI / VEETSAN STAR DOOR ASS.	v,w,x y,z,a1,d1
18		8380-0033	ASS. PORTA OEM / VEETSAN	OEM / VEETSAN DOOR ASS.	b1,c1,e1,f1 g1,h1,i1

* On demand / Su richiesta

Bold=last change / Grassetto =ultima modifica

From Ser. Nr. Up to Ser. Nr.	Ed. 01 2022-10 Ed.	Page: 5	Doc No:59566X300
---------------------------------	-----------------------	---------	-------------------------



ELECTRICAL COMPONENTS - COMPONENTI ELETTRICI

XS & S SERIES
SERIE XS & S

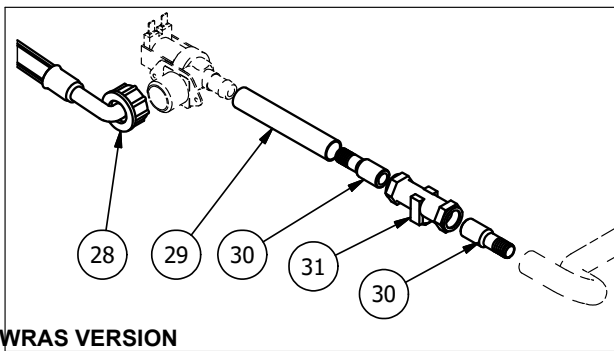
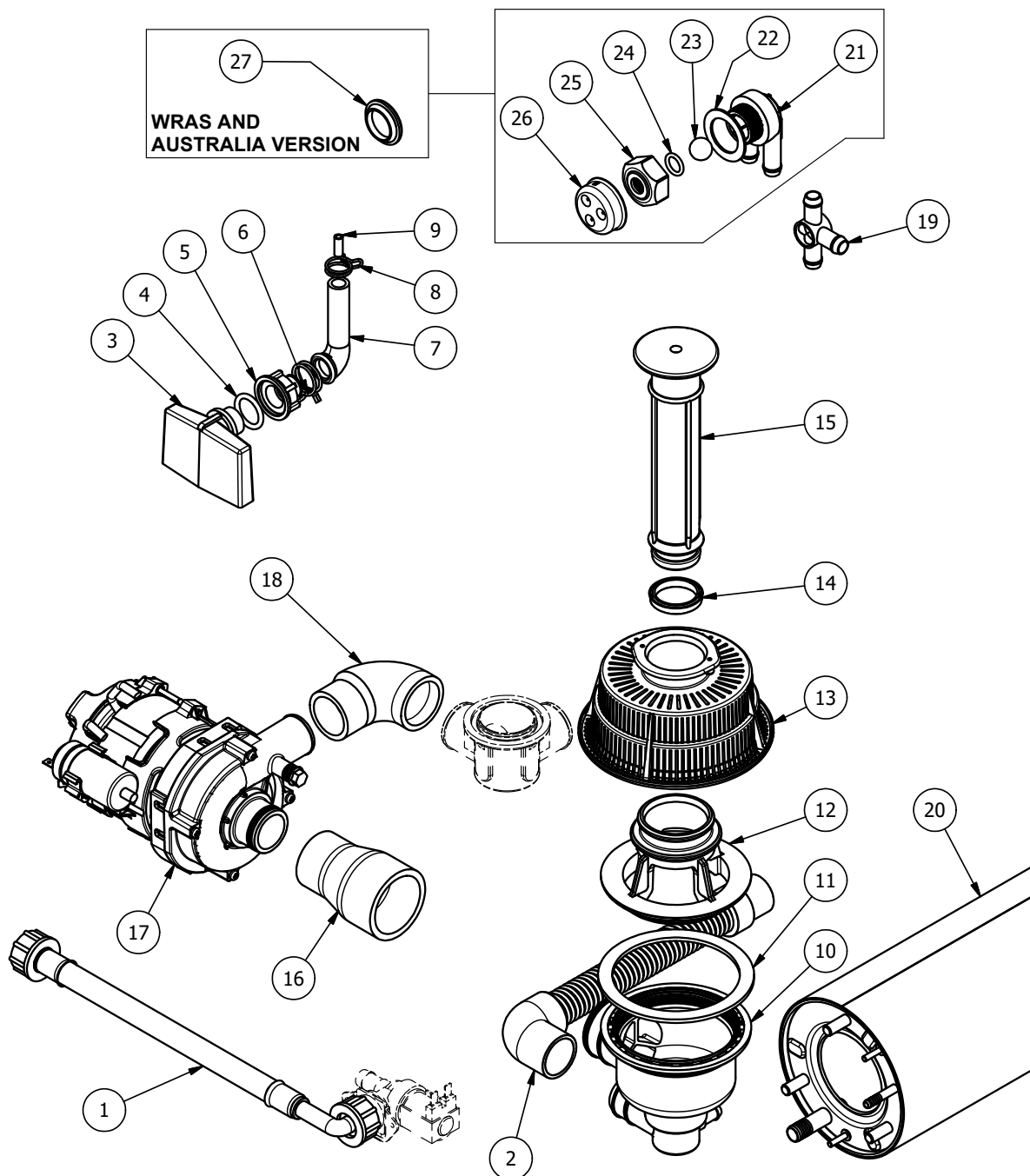
GLASSWASHER SINGLE SKIN
LAVABICCHIERI A SINGOLA PARETE

POS	SPARE PART CODE	FACTORY CODE	DESCRIZIONE	DESCRIPTION	REF./NOTES
1		00014685	CAVO ALIM. 3G1.5 H07RN-F 3m SCHUKO	P. CABLE . 3G1.5 H07RN-F 3m SCHUKO	
1		4040-0012	CAVO ALIM. 3G1.5 H07RN-F 3m - UK	P. CABLE 3G1.5 H07RN-F 3m - UK	n,p,t,y,g1,i1
1		4040-0004	CAVO ALIM. 3G 1.5 H07RN-F 3.5m - AUS	P. CABLE 3G 1.5 H07RN-F 3.5m - AUS	j1
2		740100001	SCATOLA ELETTRICA	ELECTRICAL SUPPORT	
3		1020-0001	DISTANZIALE SCHEDE ELETTRONICA	ELECTRICAL CARDBOARD SPACER	
4		00017093	SCHEDE ELETTRONICA	ELECTRICAL CARDBOARD	
5		00002779	FILTRO ANTIDISTURBO 0.47uF	FILTER 0.47uF	
6		4055-0002	MORSETTIERA FV 110	TERMINAL BOARD FV110	
7		235400001	STAFFA SUPP. PRESS. E MORSETTIERA	T. BOARD AND P. SWITCH SUPPORT	
8		00016403	PRESSOSTATO 28/12	PRESSURE SWITCH 28/12	
9		00012685	MICROINTERRUTTORE MAGNETICO	MICRO SWITCH	
10		130400001	RESISTENZA 220-240V 2.4kW	RESISTANCE 220-240V 2.4kW	
11		00000359	TERMOSTATO DA 0 A 90°C	THERMOSTAT FROM 0 TO 90°C	
12		231400003	SUPPORTO DOSATORI TERMOSTATI	THERMOSTAT AND DOSERS SUPPORT	
13		00000394	ELETTROVALVOLA SING. 90° 230V	SING. SOLENOID VALVE 90° 230V	
14		8380-0001	ASS. DOSATORE BRILLANTANTE	RINSE AID DISPENSER ASSEMBLY	
15		4025-0001	RESISTENZA 220-240V 2.7kW	RESISTANCE 220-240V 2.7kW	
16		00000057	OR PER FLANGIA BOILER	OR FOR BOILER FLANGE	
17		00004913	TERMOSTATO BIMETALLICO R.M.100°	MANUAL RESET SAFETY THERMOSTAT	

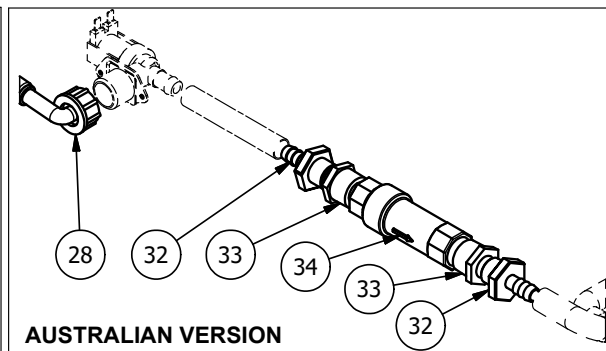
* On demand / Su richiesta

Bold=last change / Grassetto =ultima modifica

From Ser. Nr. Up to Ser. Nr.	Ed. 01 2022-10 Ed.	Page: 7	Doc No:59566X300
---------------------------------	-----------------------	---------	-------------------------



WRAS VERSION



AUSTRALIAN VERSION

HYDRAULIC COMPONENTS - COMPONENTI IDRAULICI

XS & S SERIES
SERIE XS & S

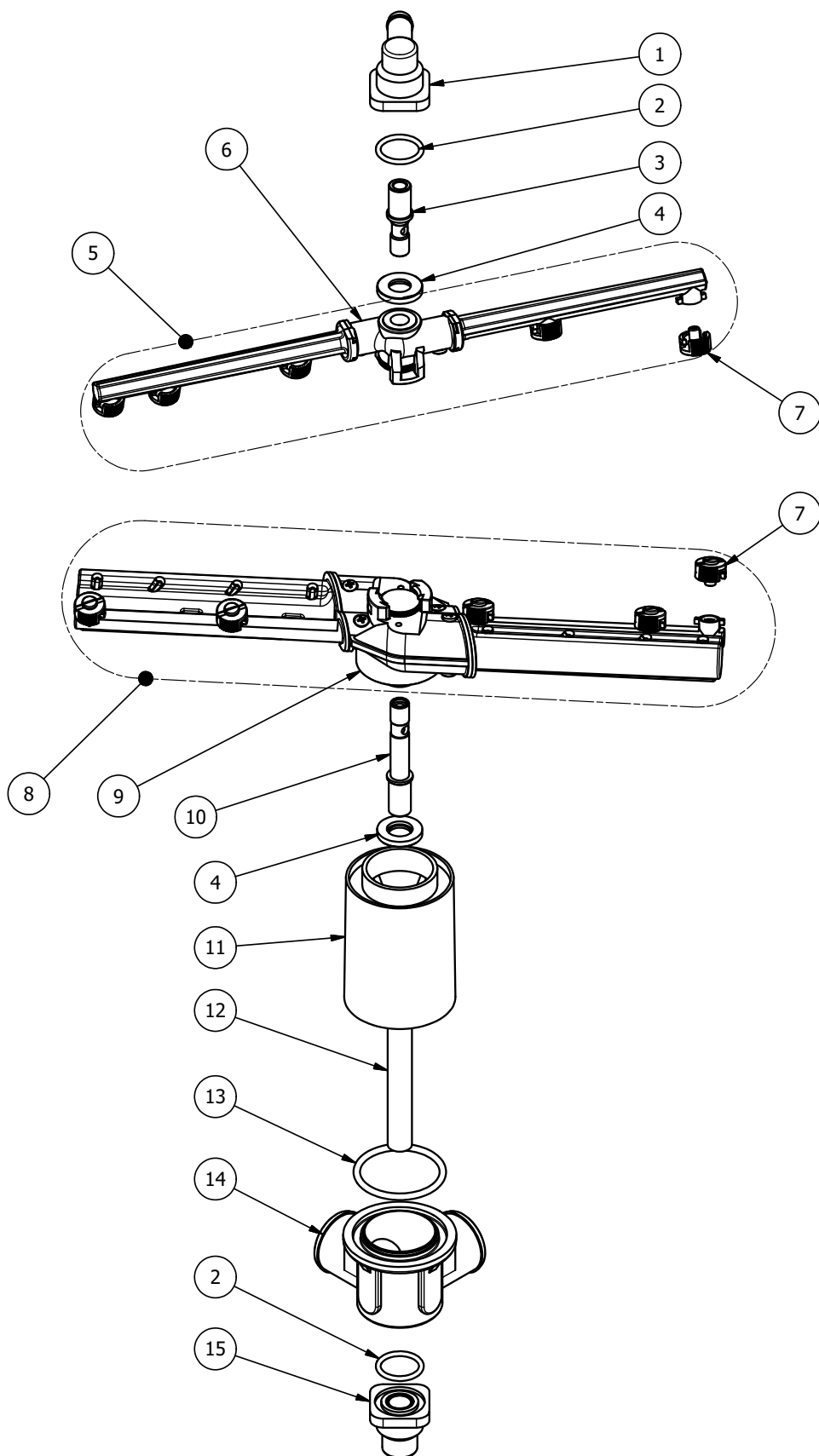
GLASSWASHER SINGLE SKIN
LAVABICCHIERI A SINGOLA PARETE

POS	SPARE CODE	FACTORY CODE	DESCRIZIONE	DESCRIPTION	REF./ NOTES
1		00000139	TUBO CARICO L=2000mm	WATER INLET HOSE L=2000mm	
2		271500002	TUBO SCARICO 90° L=2500 mm	DRAIN HOSE L=2500mm	
3		480100001	GABBIA D'ARIA VASCA	AIR TRAP	
4		00002934	OR 4081	OR 4081	
5		00003536	DADO GABBIA D'ARIA	NUT FOR AIR TRAP	
6		00000391	FASCETTA BIFIL. Ø 19,6-20,6	CLAMP Ø 19,6-20,6	
7		00002927	RACCORDO ANTICONDENSA	FITTING	
8		00000388	FASCETTA BIFIL. Ø 14.4-15.1	CLAMP Ø 14.4-15.1	
9		00002933	TUBETTO TENUTA GABBIA D'ARIA	AIR TRAP JUNCTION	
10		2050100003	POZZETTO SCARICO ASPIRAZIONE	EXHAUST COCKPIT	
11		80600004	GUARNIZIONE POZZETTO	EXHAUST COCKPIT GASKET	
12		235200003	GHIERA GRUPPO FILTRANTE	THR. RING FOR FILTERING GROUP	
13		470900002	FILTRO GRUPPO FILTRANTE	FILTER OF FILTERING GROUP	
14		00017178	GUARNIZIONE TROPPOPIENO	OVERFLOW GASKET	
15		320200007	TROPPOPIENO VASCA	OVERFLOW	
16		220100002	MANICOTTO ASPIRAZIONE POMPA	SUCTION PUMP SLEEVE	
17		40100002	POMPA LAVAGGIO 230V 50Hz	WASHING PUMP 230V 50Hz	
17		6001-0006	POMPA LAVAGGIO 230V 60Hz	WASHING PUMP 230V 60Hz	e,i
18		220200003	MANICOTTO MANDATA POMPA	PUMP DELIVERY SLEEVE	
19		00004120	DISTRIBUTORE 3 VIE	THREE WAY DISTRIBUTOR	
20		160500005	ASSIEME BOILER 3Lt	BOILER 3 Lt ASSEMBLY	
21		00002802	CORPO VALVOLA ANTIRIFLUSSO	NON RETURN VALVE BODY	
22		00003086	GUARNIZIONE GOMMA	RUBBER GASKET	
23		00000144	SFERA 5/8' PTFE	5/8' PTFE SPHERE	
24		00000123	OR 115	OR 115	
25		00002803	GHIERA VALVOLA ANTIRIFLUSSO	NON RETURN VALVE RING NUT	
26		00016213	COP. PVC VALVOLA ANTIRIFLUSSO	NON RETURN VALVE PVC COVER	
27		00003530	TAPPO	CAP	
28		3040-0309	TUBO CARICO L=2000mm - UK	WATER INLET HOSE L=2000mm - UK	n,p,t,y,g1,i1
29		00015918	TUBO COLL. VALVOLA WRAS	WRAS VALVE CONNECTION HOSE	n,p,t,y,g1,i1
30		00015799	PORTAGOMMA 3/4"G INOX	HOSE FITTING 3/4" INOX	n,p,t,y,g1,i1
31		00015810	V. DI NON RITORNO WRAS 3/4"G F	NON RETURN V. WRAS 3/4"G F	n,p,t,y,g1,i1
32		00016591	PORTAGOMMA INOX 1/2" x Ø13	HOSE FITTING 1/2" x Ø13 INOX	j1
33		00016644	RIDUZIONE 3/8'F X 3/4'M BRONZO	REDUCER 3/8'F X 3/4'M BRONZE	j1
34		00016590	V. NON RITORNO CERT. WATERMARK	WATERMARCK CERT. NON RETURN V.	j1

* On demand / Su richiesta

Bold=last change / Grassetto =ultima modifica

From Ser. Nr. Up to Ser. Nr.	Ed. 01 2022-10 Ed.	Page: 9	Doc No:59566X300
---------------------------------	-----------------------	---------	-------------------------



WASHING ARMS (XS) - BRACCIA DI LAVAGGIO (XS)

XS & S SERIES
SERIE XS & S

GLASSWASHER SINGLE SKIN
LAVABICCHIERI A SINGOLA PARETE

POS	SPARE CODE	FACTORY CODE	DESCRIZIONE	DESCRIPTION	REF./ NOTES
1		00010750	RACCORDO 90° M12x1	90° CONNECTION M12x1	
2		00000025	OR 128	OR 128	
3		430800002	PERNO FULCRO SUPERIORE	UPPER RINSE THROUGH PIN	
4		00004671	RONDELLA DI APPOGGIO	WASHER	
5		8304-0021	ASS. GIRANTE RISCIAQUO IN PLASTICA	PLASTIC RINSE ARM ASSEMBLY	
6		8380-0144	ASS. DISTRIBUTORE RISCIAQUO	RINSE DISTRIBUTOR ASSEMBLY	
7		3032-0003	UGELLO RISCIAQUO PLASTICA	PLASTIC RINSE NOOZLE	
8		8304-0022	ASS. GIRANTE LAVAGGIO PLASTICA	PLASTIC WASHING ARM ASSEMBLY	
9		8380-0118	ASS. DISTR. LAVAGGIO / RISCIAQUO	WASH / RINSE DISTR. ASSEMBLY	
10		00002153	PERNO FULCRO INFERIORE	LOWER RINSE THROUGH PIN	
11		00012193	COPRITIRANTE	COVER	
12		00012996	TIRANTE	LOWER FIXING PART	
13		00001633	OR 147	OR 147	
14		330600001	DISTRIBUTORE MONOLAVGGIO	SINGLE WASH DISTRIBUTOR	
15		00010620	RACCORDO 90° M13x1	90° CONNECTION M13x1	

* On demand / Su richiesta

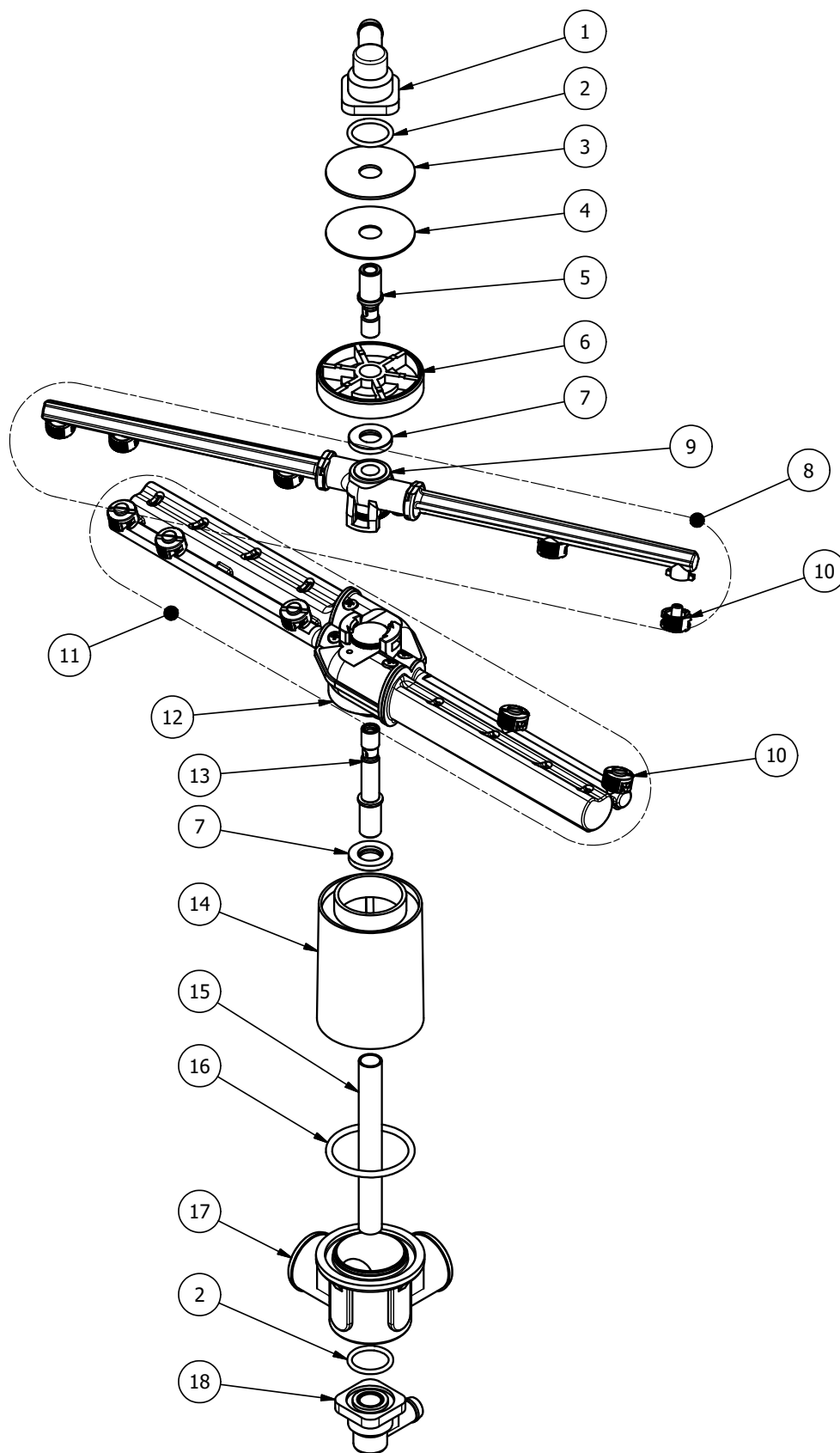
Bold=last change / Grassetto =ultima modifica

From Ser. Nr.
Up to Ser. Nr.

Ed. 01 2022-10
Ed.

Page: 11

Doc No:59566X300



WASHING ARMS (S) - BRACCIA DI LAVAGGIO (S)

XS & S SERIES
SERIE XS & S

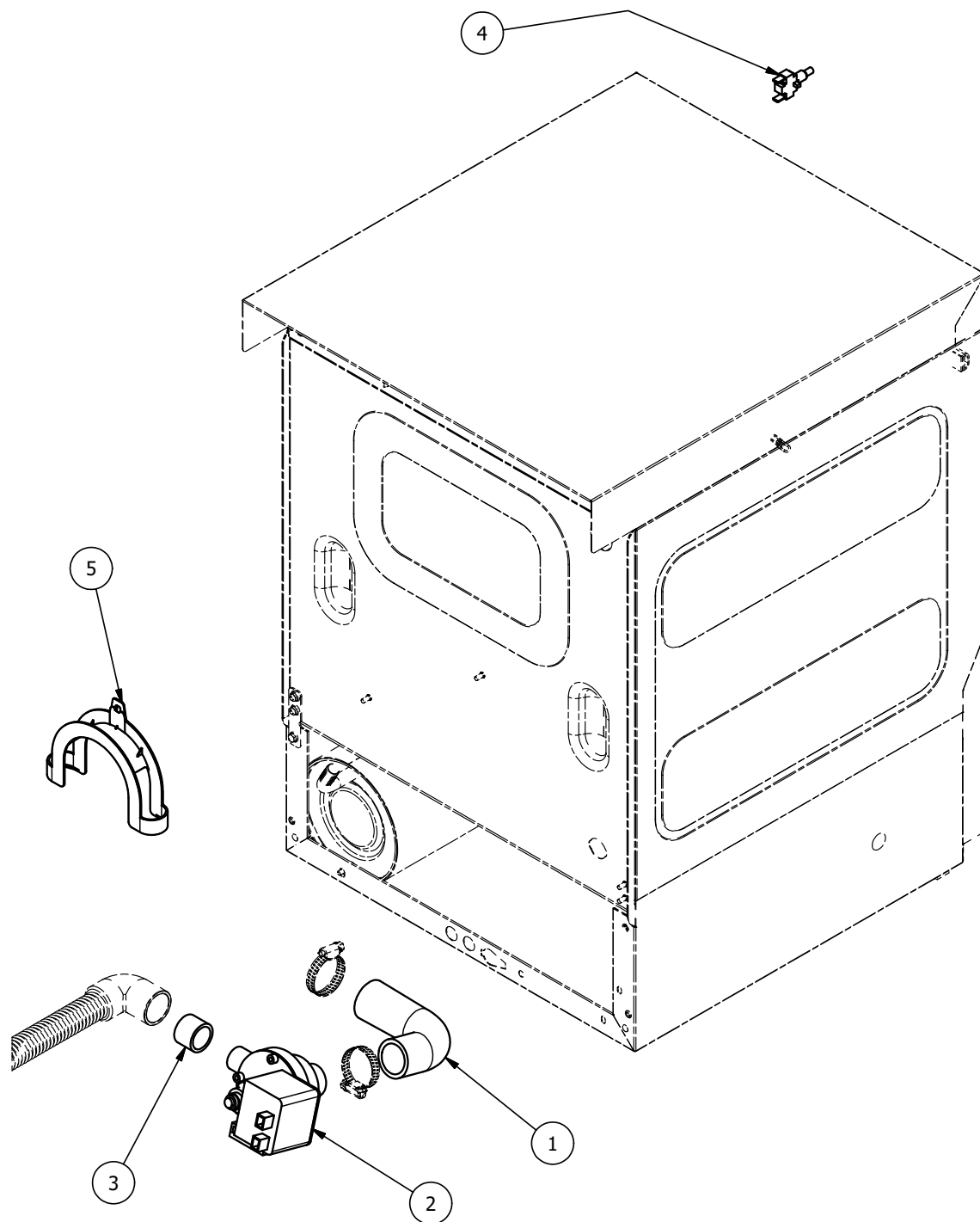
GLASSWASHER SINGLE SKIN
LAVABICCHIERI A SINGOLA PARETE

POS	SPARE CODE	FACTORY CODE	DESCRIZIONE	DESCRIPTION	REF./ NOTES
1		00010750	RACCORDO 90° M12x1	90° CONNECTION M12x1	
2		00000025	OR 128	OR 128	
3		00010747	FLANGIA ESTERNA	EXTERNAL FLANGE	
4		00010801	GUARNIZIONE PER FLANGIA ESTERNA	EXTERNAL FLANGE GASKET	
5		3065-0029	PERNO FULCRO SUPERIORE	UPPER RINSE THROUGH PIN	
6		00012164	FLANGIA INTERNA	INTERNAL FLANGE	
7		00004671	RONDELLA DI APPOGGIO	WASHER	
8		8304-0020	ASS. GIRANTE RISCIAQUO PLASTICA	PLASTIC RINSE ARM ASSEMBLY	
9		8380-0144	ASS. DISTRIBUTORE RISCIAQUO	RINSE DISTRIBUTOR ASSEMBLY	
10		3032-0003	UGELLO RISCIAQUO PLASTICA	PLASTIC RINSE NOOZLE	
11		8304-0023	ASS. GIRANTE LAVAGGIO PLASTICA	PLASTIC WASHING ARM ASSEMBLY	
12		8380-0118	ASS. DISTR. LAVAGGIO / RISCIAQUO	WASH / RINSE DISTR. ASSEMBLY	
13		3065-0028	PERNO FULCRO INFERIORE	LOWER RINSE THROUGH PIN	
14		00012193	COPRITIRANTE	COVER	
15		00012996	TIRANTE INFERIORE	LOWER FIXING PART	
16		00001633	OR 147	OR 147	
17		330600001	DISTRIBUTORE MONOLAVAGGIO	SINGLE WASH DISTRIBUTOR	
18		00010620	RACCORDO 90° M13x1	90° CONNECTION M13x1	

* On demand / Su richiesta

Bold=last change / Grassetto =ultima modifica

From Ser. Nr. Up to Ser. Nr.	Ed. 01 2022-10 Ed.	Page: 13	Doc No:59566X300
---------------------------------	-----------------------	----------	-------------------------



DRAIN PUMP - POMPA DI SCARICO

From Ser. Nr.
Up to Ser. Nr.

Ed. 01 2022-10
Ed.

Page: 14

@

Doc No:59566X300

XS & S SERIES
SERIE XS & S

GLASSWASHER SINGLE SKIN
LAVABICCHIERI A SINGOLA PARETE

POS	SPARE CODE	FACTORY CODE	DESCRIZIONE	DESCRIPTION	REF./NOTES
1		00004985	MANICOTTO IN GOMMA	RUBBER HOSE	
2		00009563	POMPA DI SVUOTAMENTO 230V 50Hz	DRAIN PUMP 230V 50Hz	
2		6006-0001	POMPA DI SVUOTAMENTO 230V 60Hz	DRAIN PUMP 230V 60Hz	e,i,z
3		3040-0002	TUBO EPDM	EPDM HOSE	
4		00004322	PULSANTE CM-NA	CM-NO BUTTON	
5		00016395	CURVA SUPP. TUBO DI SCARICO	DRAIN HOSE SUPPORT	

* On demand / Su richiesta

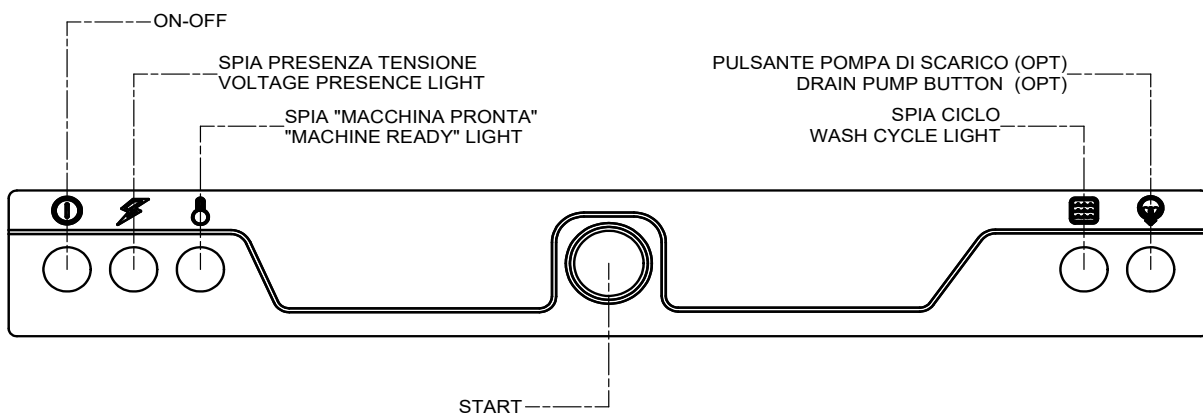
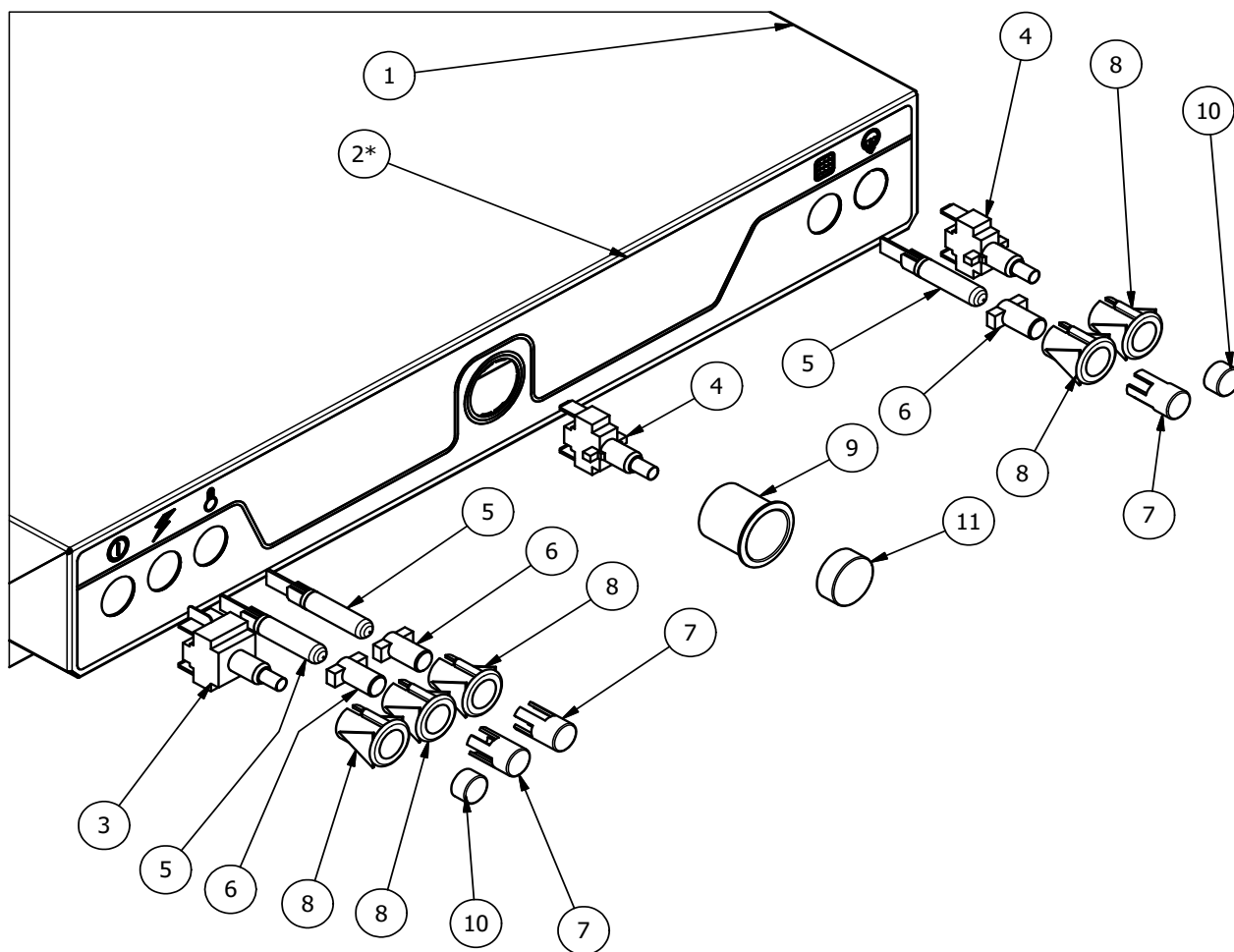
Bold=last change / Grassetto =ultima modifica

From Ser. Nr.
Up to Ser. Nr.

Ed. 01 2022-10
Ed.

Page: 15

Doc No:59566X300



CONTROL PANEL XS ELUX. PROF. - PANNELLO DI CONTROLLO XS ELUX. PROF.

POS	SPARE PART CODE	FACTORY CODE	DESCRIZIONE	DESCRIPTION	REF./ NOTES
1		3010-0032	ASSIEME CAPPOTTINA	UPPER COVER ASSEMBLY	
2		3501-0099	MEMBRANA ELECTROLUX STD	ADHESIVE LABEL ELECTROLUX STD	a,b
2		3501-0094	MEMBRANA ELECTROLUX DP	ADHESIVE LABEL ELECTROLUX DP	c,d,e
3		00004323	INTERRUTTORE CM-NA BIPOLARE	CM-NO DOUBLE-POLE SWITCH	
4		00004322	PULSANTE CM-NA	CM-NO BUTTON	
5		00004051	LAMPADA LUMINOSA	LIGHT INDICATOR	
6		00004045	STRUTTURA GUIDA	LIGHT INDICATOR SUPPORT	
7		00004049	GEMMA NEUTRA	NEUTRAL COVER FOR LIGHT IND.	
8		00017650	SUPPORTO D.16 GRIGIO SCURO	D.16 DARK GREY SUPPORT	
9		00015766	SUPPORTO TONDO D.25 VERDE	D.25 GREEN SUPPORT	
10		00017649	TASTO D.16 GRIGIO SCURO	D.16 DARK GREY BUTTON	
11		00015767	TASTO D.25 VERDE	D.25 GREEN BUTTON	

* On demand / Su richiesta

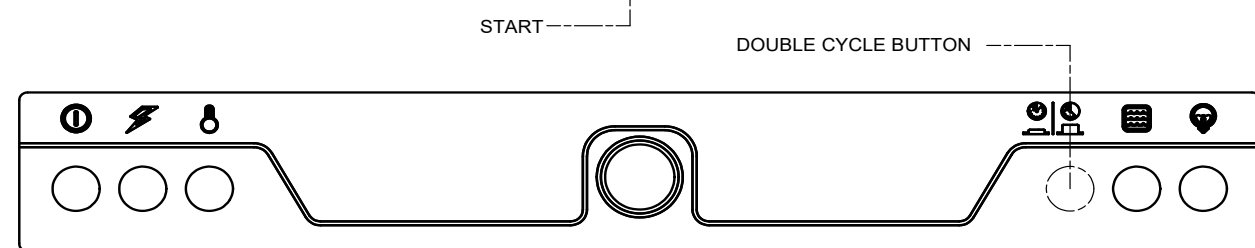
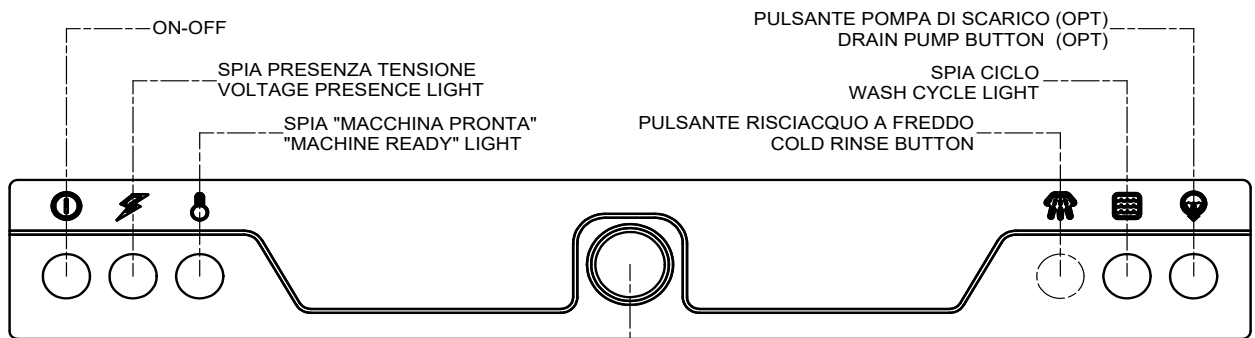
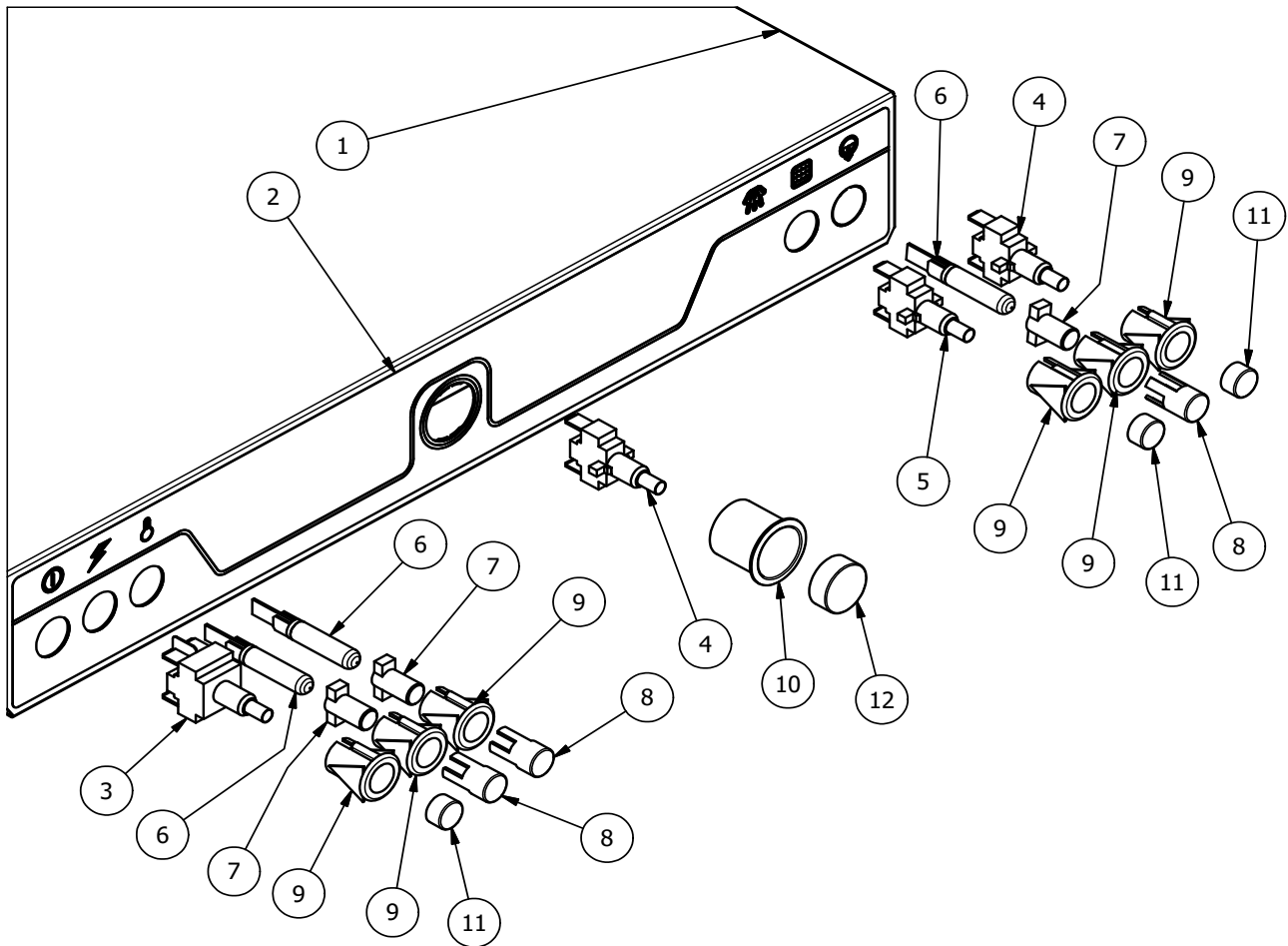
Bold=last change / Grassetto =ultima modifica

From Ser. Nr.
Up to Ser. Nr.

Ed. 01 2022-10
Ed.

Page: 17

Doc No:59566X300



AUSTRALIA VERSION

CONTROL PANEL S ELUX. PROF. - PANNELLO DI CONTROLLO S ELUX. PROF.

XS & S SERIES
SERIE XS & S

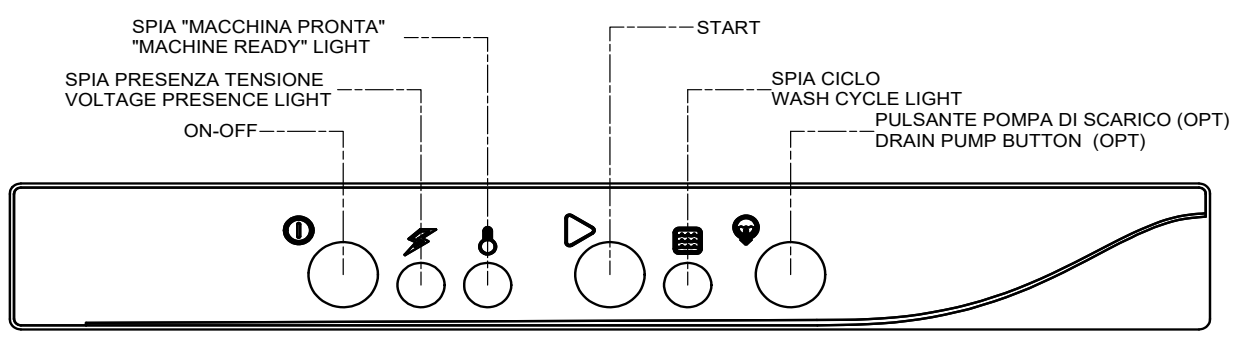
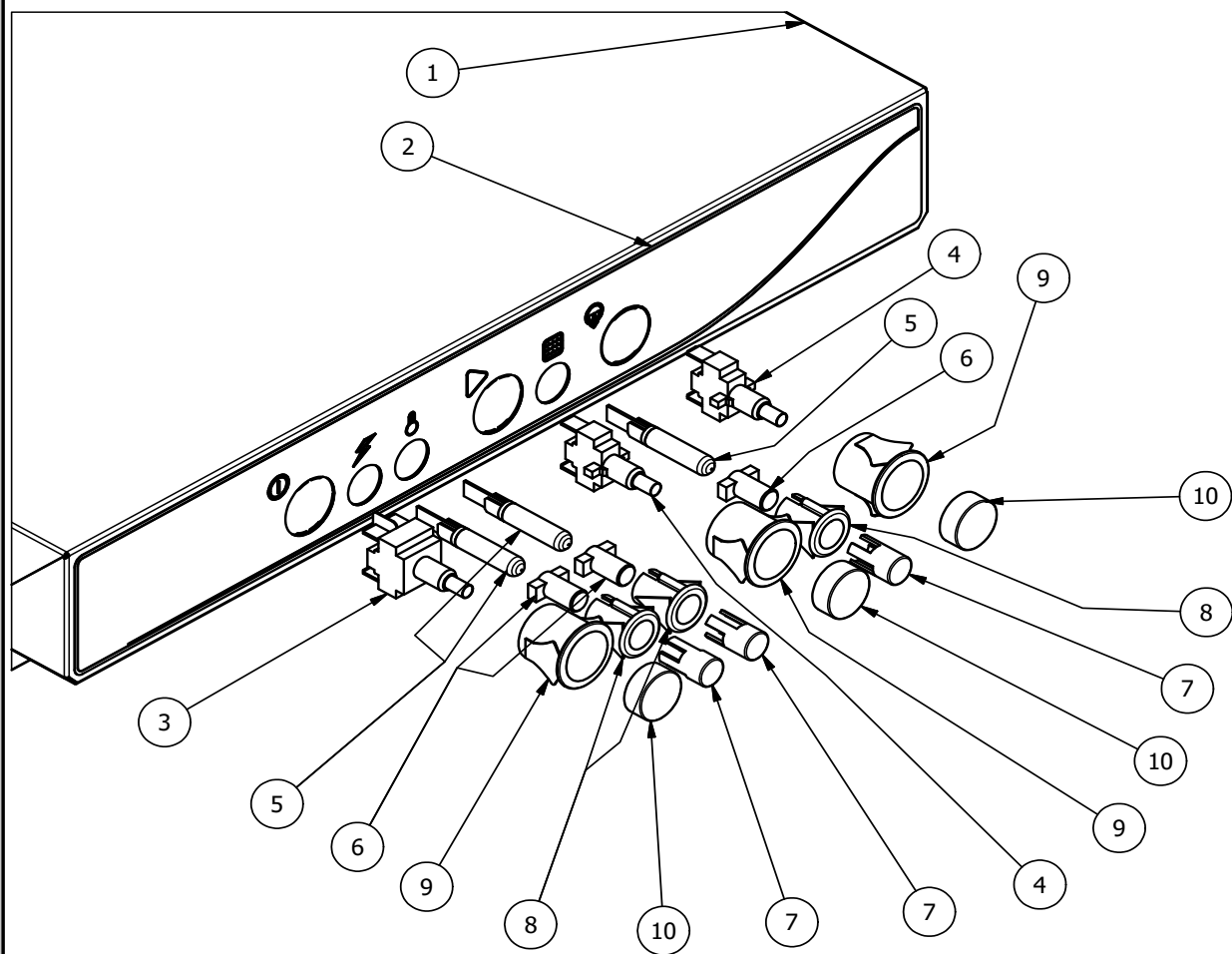
GLASSWASHER SINGLE SKIN
LAVABICCHIERI A SINGOLA PARETE

POS	SPARE PART CODE	FACTORY CODE	DESCRIZIONE	DESCRIPTION	REF./ NOTES
1		3010-0033	ASSIEME CAPPOTTINA	UPPER COVER ASSY	
2		3501-0101	MEMBRANA ELECTROLUX STANDARD	ADHESIVE LABEL ELECTROLUX STD	q
2		3501-0093	MEMBRANA ELECTROLUX DP+CR	ADHESIVE LABEL ELECTROLUX DP+CR	r,s,t,u
2		3501-0108	MEMBRANA ELECTROLUX - AUS	ADHESIVE LABEL ELECTROLUX - AUS	j1
3		00004323	INTERRUTTORE CM - NA BIP	CM-NO DOUBLE-POLE SWITCH	
4		00004322	PULSANTE CM-NA	CM-NO BUTTON	
5		00006992	INTERRUTTORE MONOPOLARE NA	NO SINGLE-POLE SWITCH	
6		00004051	LAMPADA LUMINOSA	LIGHT INDICATOR	
7		00004045	STRUTTURA GUIDA	LIGHT INDICATOR HOLDER	
8		00004049	GEMMA NEUTRA	NEUTRAL COVER FOR LIGHT IND.	
9		00017650	SUPPORTO D.16 GRIGIO SCURO	D.16 DARK GREY SUPPORT	
10		00015766	SUPPORTO TONDO D.25 VERDE	D.25 GREEN SUPPORT	
11		00017649	TASTO D.16 GRIGIO SCURO	D.16 DARK GREY BUTTON	
12		00015767	TASTO D.25 VERDE	D.25 GREEN BUTTON	

* On demand / Su richiesta

Bold=last change / Grassetto =ultima modifica

From Ser. Nr. Up to Ser. Nr.	Ed. 01 2022-10 Ed.	Page: 19	Doc No:59566X300
---------------------------------	-----------------------	----------	-------------------------



CONTROL PANEL XS ZANUSSI - PANNELLO DI CONTROLLO XS ZANUSSI

XS & S SERIES
SERIE XS & S

GLASSWASHER SINGLE SKIN
LAVABICCHIERI A SINGOLA PARETE

POS	SPARE PART CODE	FACTORY CODE	DESCRIZIONE	DESCRIPTION	REF./ NOTES
1		3010-0012	ASSIEME CAPPOTTINA	UPPER COVER ASSEMBLY	
2		3501-0097	MEMBRANA ZANUSSI STD	ADHESIVE LABEL ZANUSSI STD	f
2		3501-0098	MEMBRANA ZANUSSI DP	ADHESIVE LABEL ZANUSSI DP	g,h,i
3		00004323	INTERRUTTORE CM-NA BIPOLARE	CM-NO DOUBLE-POLE SWITCH	
4		00004322	PULSANTE CM-NA	CM-NO BUTTON	
5		00004051	LAMPADA LUMINOSA	LIGHT INDICATOR	
6		00004045	STRUTTURA GUIDA	LIGHT INDICATOR SUPPORT	
7		00004049	GEMMA NEUTRA	NEUTRAL COVER FOR LIGHT IND.	
8		00004046	SUPPORTO D.16 NERO	D.16 BLACK SUPPORT	
9		00003435	SUPPORTO D.25 NERO	D.25 BLACK SUPPORT	
10		00012726	TASTO D.25 NERO	D.25 BLACK BUTTON	
11		00015767	TASTO D.25 VERDE	D.25 GREEN BUTTON	

* On demand / Su richiesta

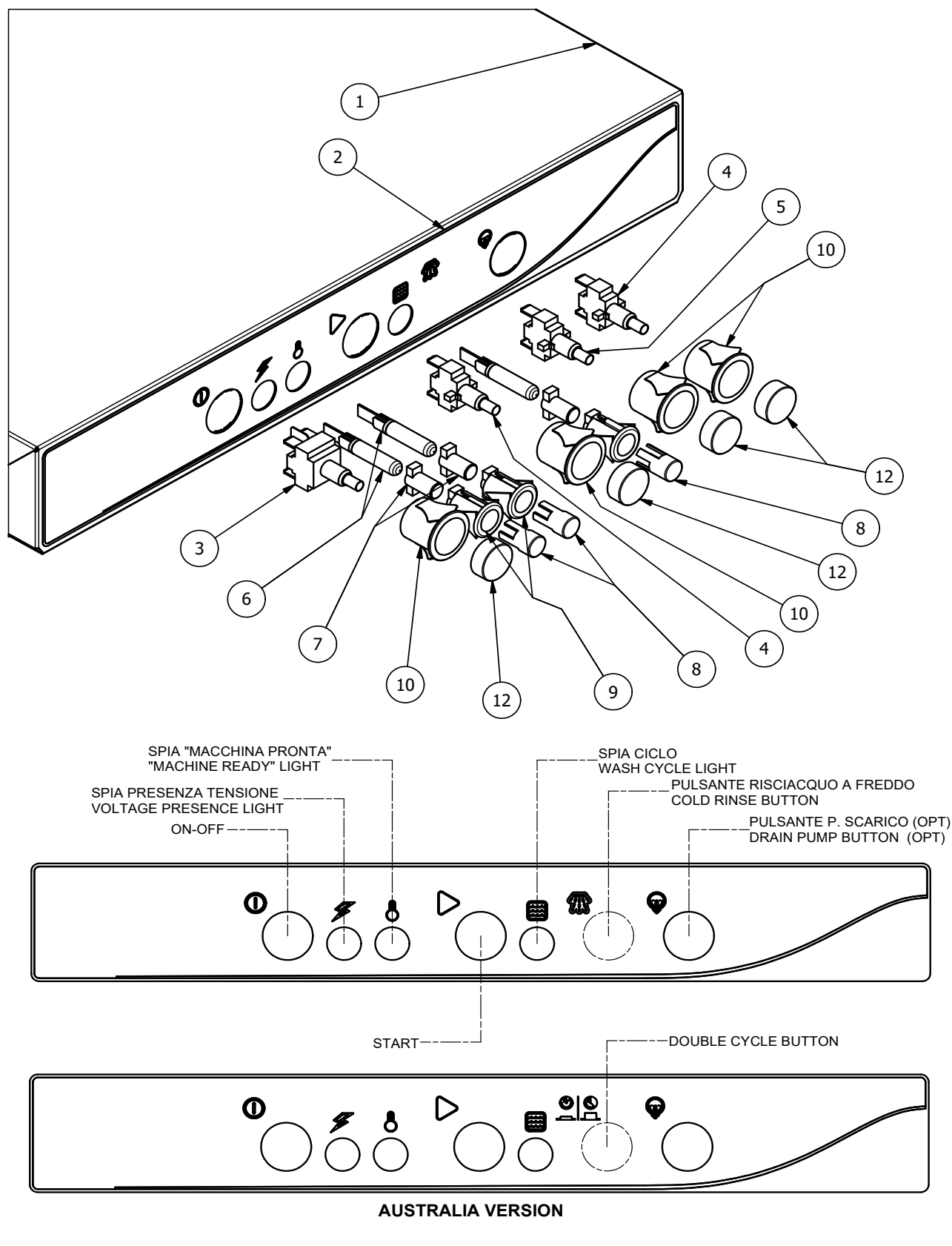
Bold=last change / Grassetto =ultima modifica

From Ser. Nr.
Up to Ser. Nr.

Ed. 01 2022-10
Ed.

Page: 21

Doc No:59566X300



CONTROL PANEL S ZANUSSI - PANNELLO DI CONTROLLO S ZANUSSI

XS & S SERIES
SERIE XS & S

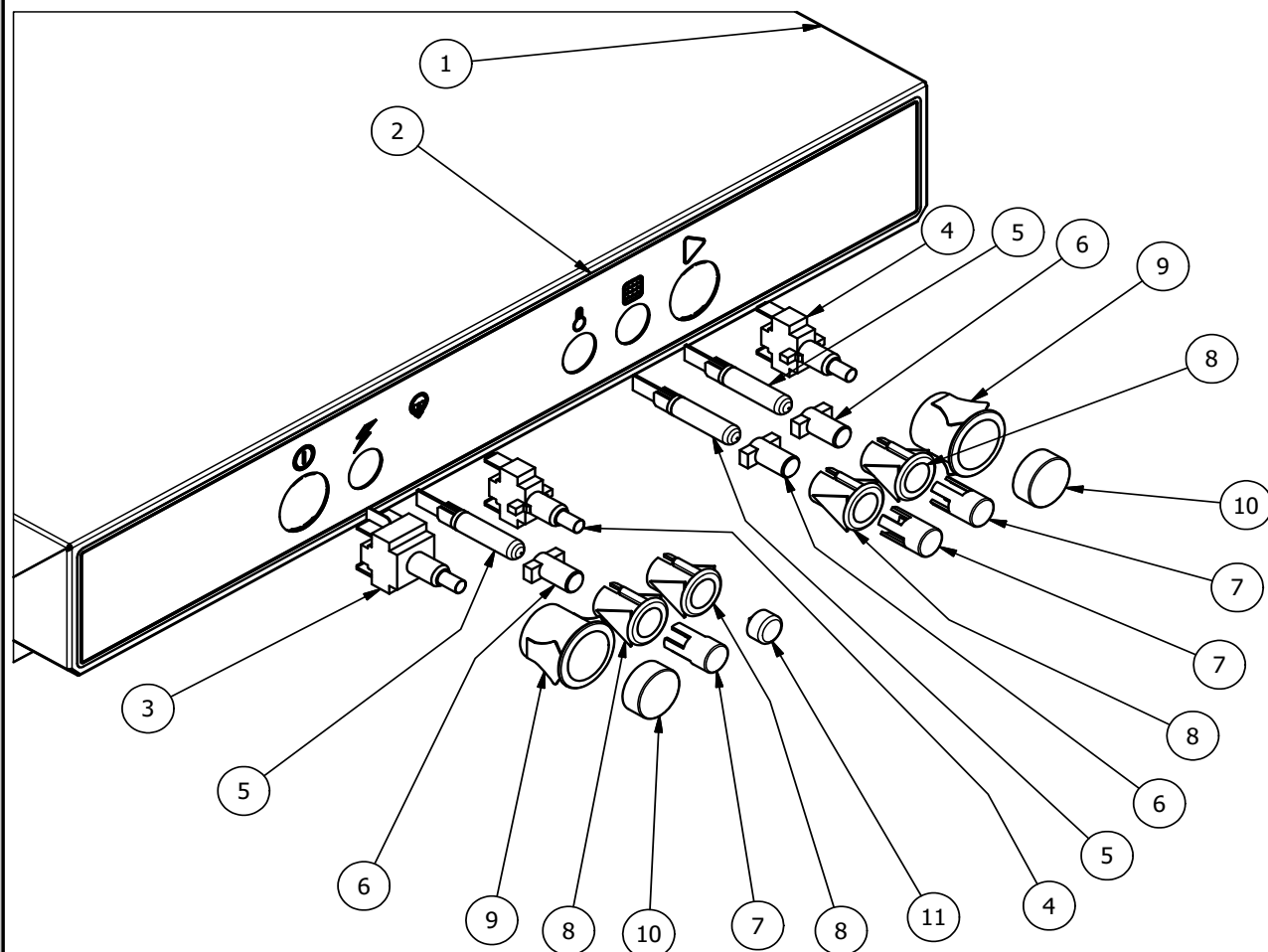
GLASSWASHER SINGLE SKIN
LAVABICCHIERI A SINGOLA PARETE

POS	SPARE PART CODE	FACTORY CODE	DESCRIZIONE	DESCRIPTION	REF./ NOTES
1		3010-0013	ASSIEME CAPPOTTINA	UPPER COVER ASSEMBLY	
2		3501-0092	MEMBRANA ZANUSSI STD	ADHESIVE LABEL ZANUSSI STD	v
2		3501-0091	MEMBRANA ZANUSSI DP+CR	ADHESIVE LABEL ZANUSSI DP+CR	w,x,y,z,a1
2		3501-0109	MEMBRANA ZANUSSI - AUS	ADHESIVE LABEL ZANUSSI - AUS	
3		00004323	INTERRUTTORE CM - NA BIP	CM-NO DOUBLE-POLE SWITCH	
4		00004322	PULSANTE CM-NA	CM-NO BUTTON	
5		00006992	INTERRUTTORE MONOPOLARE NA	NO SINGLE-POLE SWITCH	
6		00004051	LAMPADA LUMINOSA	LIGHT INDICATOR	
7		00004045	STRUTTURA GUIDA	LIGHT INDICATOR HOLDER	
8		00004049	GEMMA NEUTRA	NEUTRAL COVER FOR LIGHT IND.	
9		00004046	SUPPORTO D.16 NERO	D.16 BLACK SUPPORT	
10		00003435	SUPPORTO D.25 NERO	D.25 BLACK SUPPORT	
12		00012726	TASTO D.25 NERO	D.25 BLACK BUTTON	

* On demand / Su richiesta

Bold=last change / Grassetto =ultima modifica

From Ser. Nr. Up to Ser. Nr.	Ed. 01 2022-10 Ed.	Page: 23	Doc No:59566X300
---------------------------------	-----------------------	----------	-------------------------



PULSANTE POMPA DI SCARICO (OPT)
DRAIN PUMP BUTTON (OPT)

SPIA PRESENZA TENSIONE
VOLTAGE PRESENCE LIGHT

ON-OFF

SPIA "MACCHINA PRONTA"
"MACHINE READY" LIGHT

SPIA CICLO
WASH CYCLE LIGHT

START



CONTROL PANEL XS/S TO BRAND - PANNELLO DI CONTROLLO XS/S TO BRAND

XS & S SERIES
SERIE XS & S

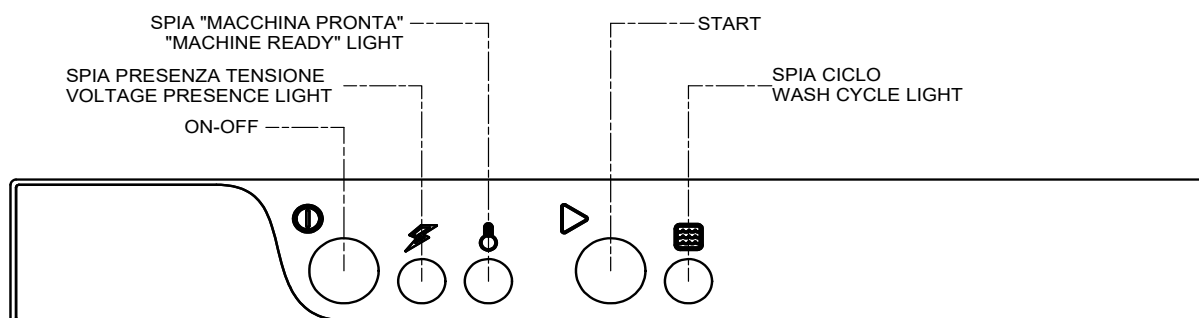
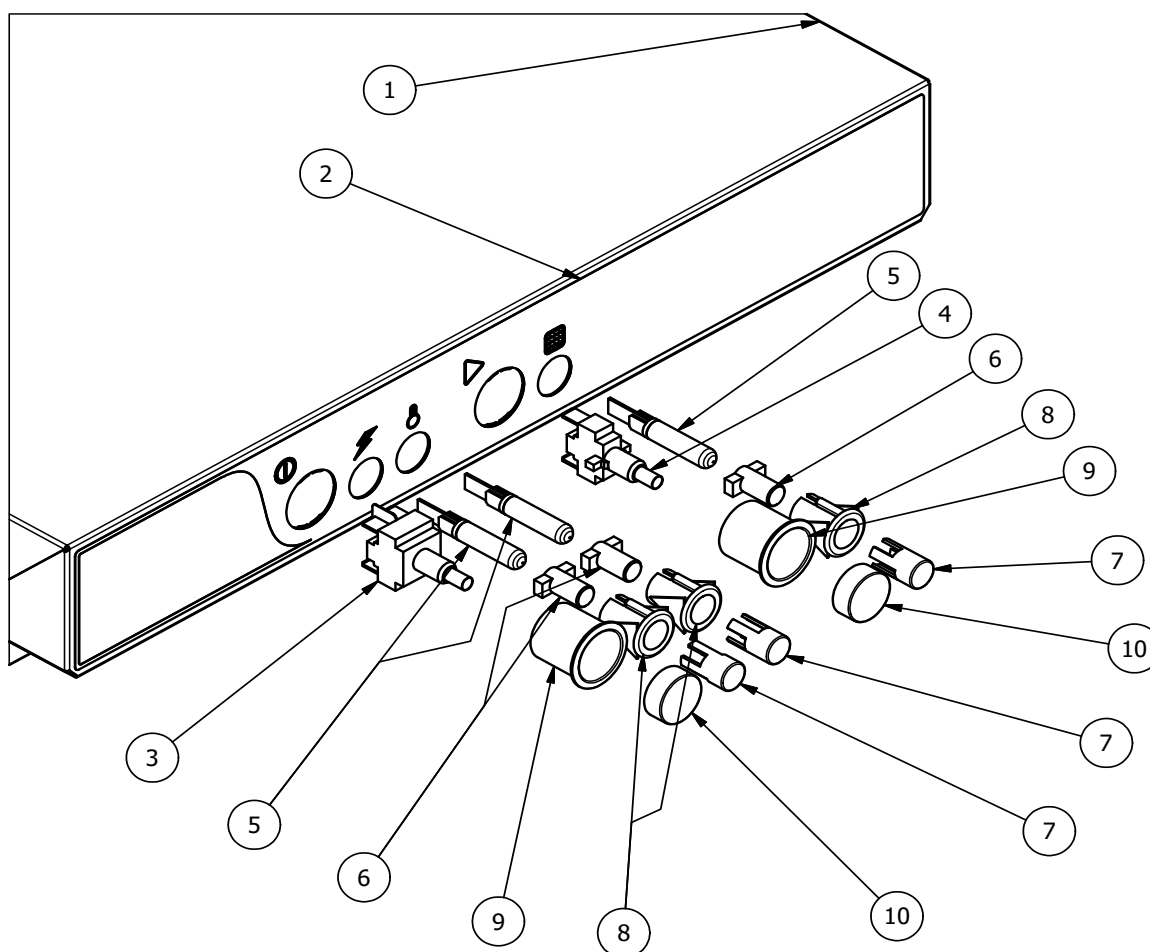
GLASSWASHER SINGLE SKIN
LAVABICCHIERI A SINGOLA PARETE

POS	SPARE PART CODE	FACTORY CODE	DESCRIZIONE	DESCRIPTION	REF./ NOTES
1		3010-0016	ASSIEME CAPPOTTINA - XS	UPPER COVER ASSEMBLY - XS	
1		3010-0004	ASSIEME CAPPOTTINA - S	UPPER COVER ASSEMBLY - S	
2		3501-0095	MEMBRANA OEM STD+DP	ADHESIVE LABEL OEM STD+DP	l,m,n,o,p e1,f1,g1,h1,i1
2		3501-0100	MEMBRANA OEM STD+DP	ADHESIVE LABEL OEM STD+DP	
3		00004323	INTERRUTTORE CM-NA BIPOLARE	CM-NO DOUBLE-POLE SWITCH	
4		00004322	PULSANTE CM-NA	CM-NO BUTTON	
5		00004051	LAMPADA LUMINOSA	LIGHT INDICATOR	
6		00004045	STRUTTURA GUIDA	LIGHT INDICATOR SUPPORT	
7		00004049	GEMMA NEUTRA	NEUTRAL COVER FOR LIGHT IND.	
8		00004046	SUPPORTO D.16 NERO	D.16 BLACK SUPPORT	
9		00003435	SUPPORTO D.25 NERO	D.25 BLACK SUPPORT	
10		00012726	TASTO D.25 NERO	D.25 BLACK BUTTON	
11		00004044	TASTO D.16 NERO	D.16 BLACK BUTTON	

* On demand / Su richiesta

Bold=last change / Grassetto =ultima modifica

From Ser. Nr. Up to Ser. Nr.	Ed. 01 2022-10 Ed.	Page: 25	Doc No:59566X300
---------------------------------	-----------------------	----------	-------------------------



CONTROL PANEL XS VEETSAN - PANNELLO DI CONTROLLO XS VEETSAN

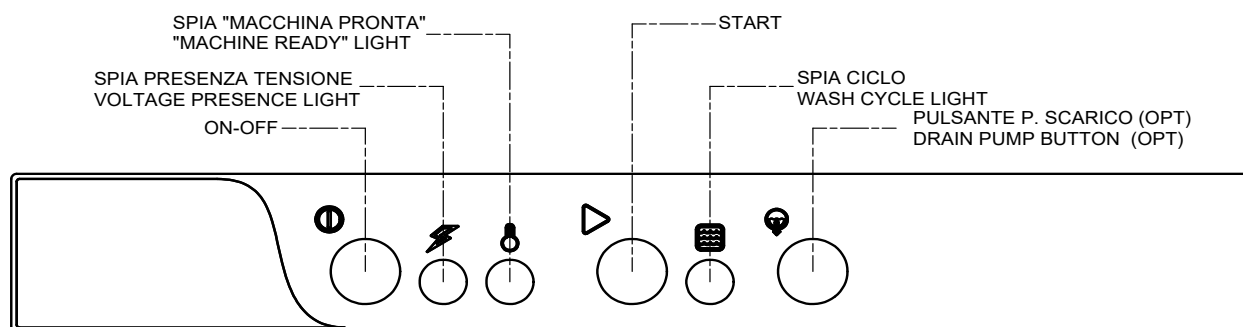
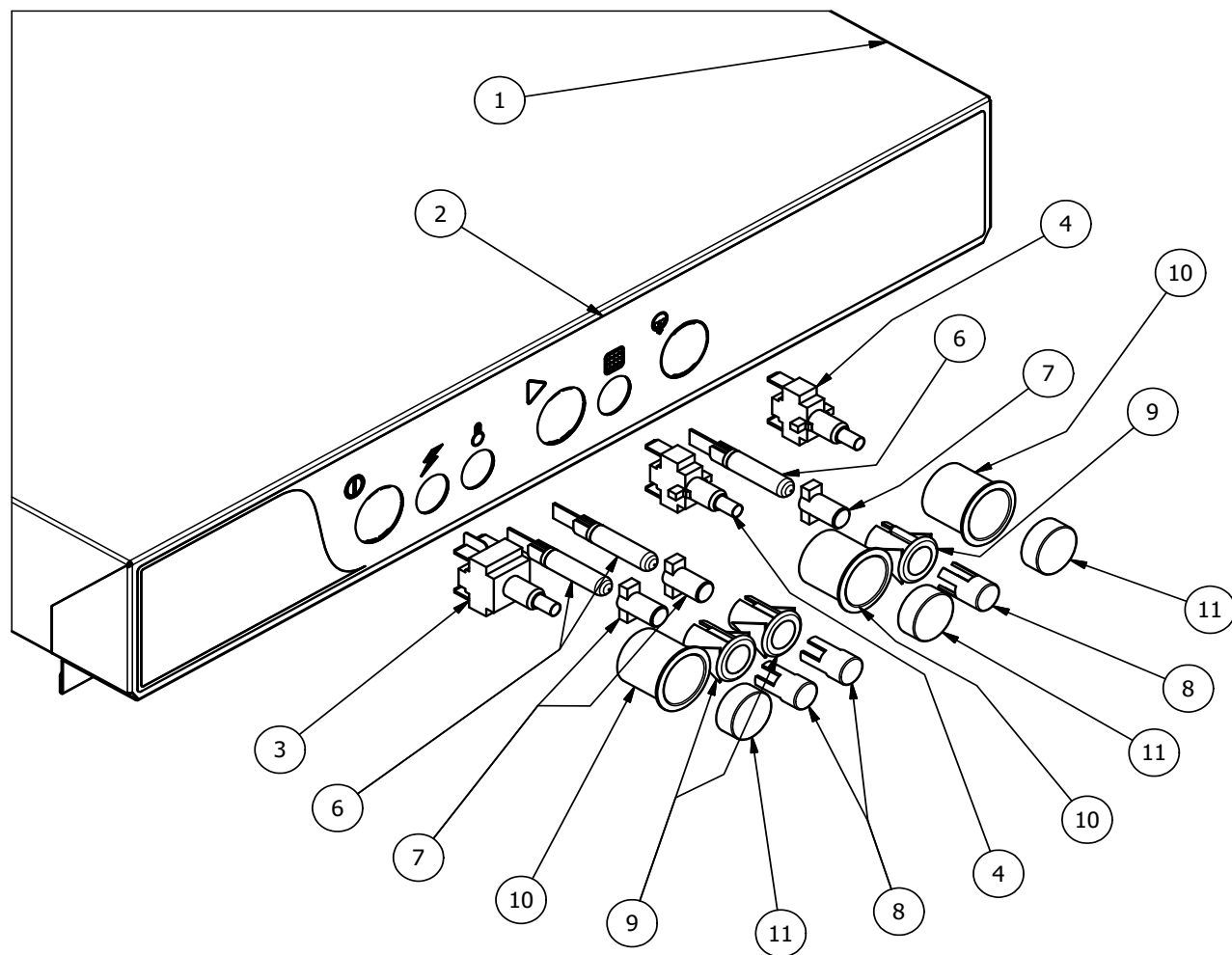
POS	SPARE PART CODE	FACTORY CODE	DESCRIZIONE	DESCRIPTION	REF./ NOTES
1		3010-0012	ASSIEME CAPPOTTINA	UPPER COVER ASSEMBLY	
2		3501-0102	MEMBRANA VEETSAN STD	ADHESIVAL LABEL VEETSAN STD	j
3		00004323	INTERRUTTORE CM-NA BIPOLARE	CM-NO DOUBLE-POLE SWITCH	
4		00004322	PULSANTE CM-NA	CM-NO BUTTON	
5		00004051	LAMPADA LUMINOSA	LIGHT INDICATOR	
6		00004045	STRUTTURA GUIDA	LIGHT INDICATOR SUPPORT	
7		00004049	GEMMA NEUTRA	NEUTRAL COVER FOR LIGHT IND.	
8		2005-0003	SUPPORTO D.16 AZZURRO	D.16 LIGHT BLUE SUPPORT	
9		2005-0001	SUPPORTO D.25 AZZURRO	D.25 LIGHT BLUE SUPPORT	
10		2010-0001	TASTO D.25 AZZURRO	D.16 LIGHT BLUE BUTTON	
10		00012726	TASTO D.25 NERO	D.25 BLACK BUTTON	
11		00015767	TASTO D.25 VERDE	D.25 GREEN BUTTON	

* On demand / Su richiesta

Bold=last change / Grassetto =ultima modificaFrom Ser. Nr.
Up to Ser. Nr.Ed. 01 2022-10
Ed.

Page: 27

Doc No:59566X300



CONTROL PANEL S VEETSAN - PANNELLO DI CONTROLLO S VEETSAN

POS	SPARE PART CODE	FACTORY CODE	DESCRIZIONE	DESCRIPTION	REF./ NOTES
1		3010-0013	ASSIEME CAPPOTTINA	UPPER COVER ASSEMBLY	
2		3501-0104	MEMBRANA VEETSAN STD	ADHESIVE LABEL VEETSAN STD	
2		3501-0105	MEMBRANA VEETSAN DP	ADHESIVE LABEL VEETSAN DP	
3		00004323	INTERRUTTORE CM - NA BIP	CM-NO DOUBLE-POLE SWITCH	
4		00004322	PULSANTE CM-NA	CM-NO BUTTON	
6		00004051	LAMPADA LUMINOSA	LIGHT INDICATOR	
7		00004045	STRUTTURA GUIDA	LIGHT INDICATOR HOLDER	
8		00004049	GEMMA NEUTRA	NEUTRAL COVER FOR LIGHT IND.	
9		2005-0003	SUPPORTO D.16 AZZURRO	D.16 LIGHT BLUE SUPPORT	
10		2005-0001	SUPPORTO D.25 AZZURRO	D.25 LIGHT BLUE SUPPORT	
11		2010-0001	TASTO D.25 AZZURRO	D.25 LIGHT BLUE BUTTON	
11		00015767	TASTO D.25 VERDE	D.25 GREEN BUTTON	

* On demand / Su richiesta

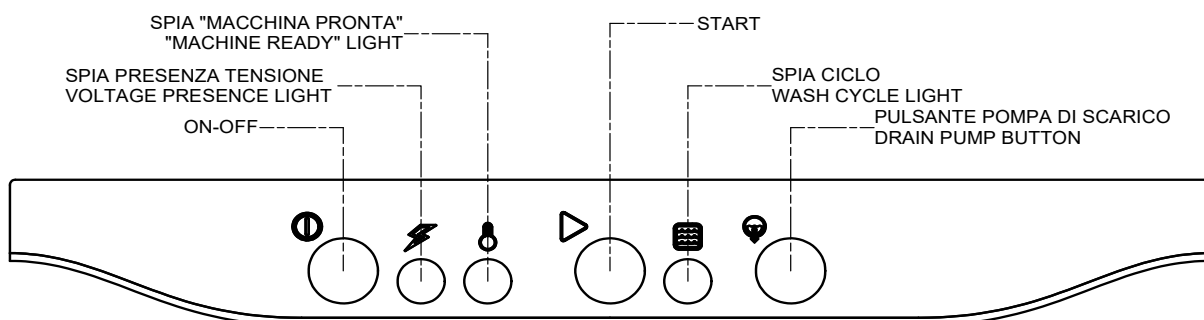
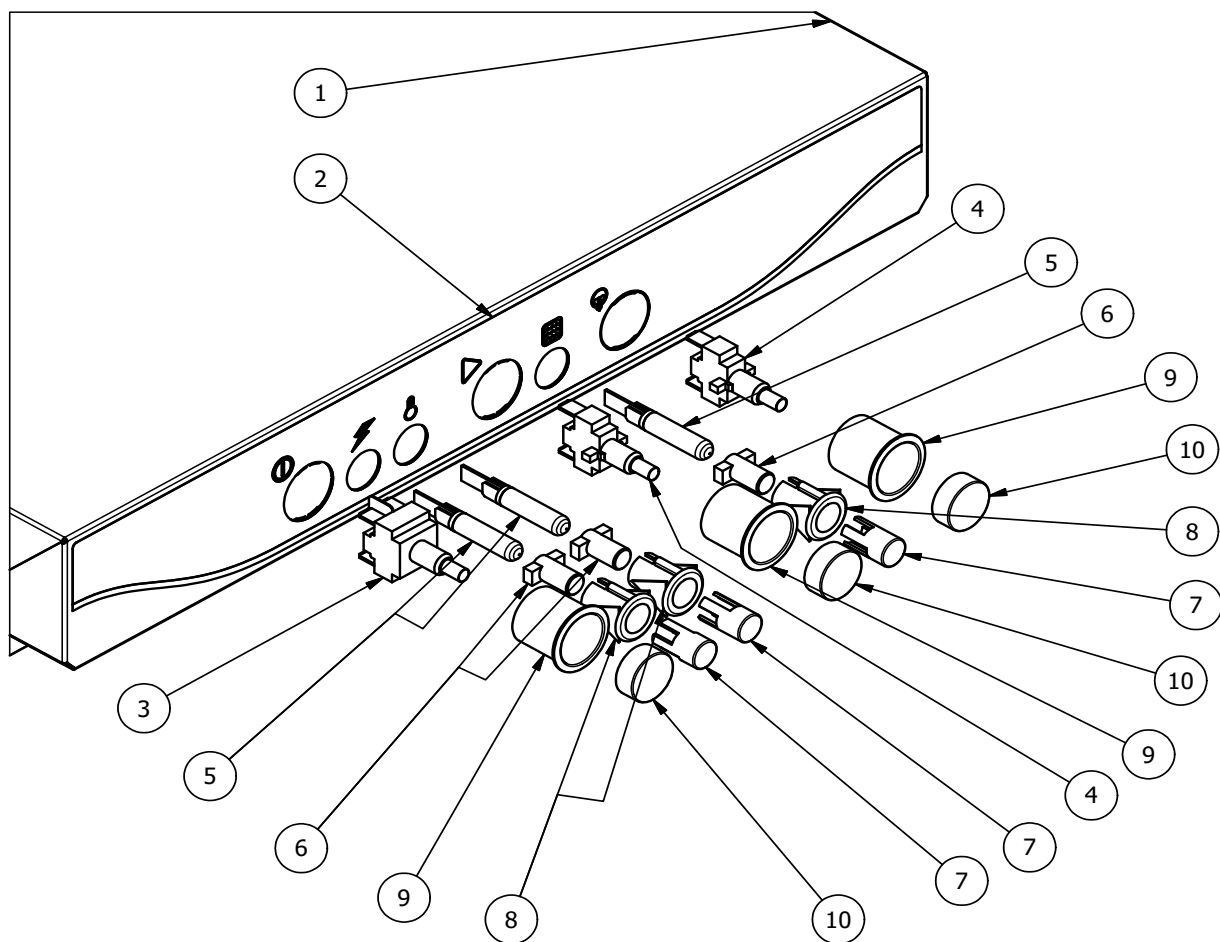
Bold=last change / Grassetto =ultima modifica

From Ser. Nr.
Up to Ser. Nr.

Ed. 01 2022-10
Ed.

Page: 29

Doc No:59566X300



CONTROL PANEL XS/S VEETSAN* - PANNELLO DI CONTROLLO XS/S VEETSAN*

XS & S SERIES
SERIE XS & S

GLASSWASHER SINGLE SKIN
LAVABICCHIERI A SINGOLA PARETE

POS	SPARE PART CODE	FACTORY CODE	DESCRIZIONE	DESCRIPTION	REF./ NOTES
1		3010-0012	ASSIEME CAPPOTTINA - XS	UPPER COVER ASSEMBLY - XS	
1		3010-0013	ASSIEME CAPPOTTINA - S	UPPER COVER ASSEMBLY - S	
2		3501-0103	MEMBRANA VEETSAN STAR DP	ADH. LABEL VEETSAN STAR DP	k
2		3501-0106	MEMBRANA VEETSAN STAR STD+DP	ADH. LABEL VEETSAN STAR STD+SP	d1
3		00004323	INTERRUTTORE CM-NA BIPOLARE	CM-NO DOUBLE-POLE SWITCH	
4		00004322	PULSANTE CM-NA	CM-NO BUTTON	
5		00004051	LAMPADA LUMINOSA	LIGHT INDICATOR	
6		00004045	STRUTTURA GUIDA	LIGHT INDICATOR SUPPORT	
7		00004049	GEMMA NEUTRA	NEUTRAL COVER FOR LIGHT IND.	
8		2005-0003	SUPPORTO D.16 AZZURRO	D.16 LIGHT BLUE SUPPORT	
9		2005-0001	SUPPORTO D.25 AZZURRO	D.25 LIGHT BLUE SUPPORT	
10		00017777	TASTO D.25 GRIGIO SCURO	D.25 DARK GREY BUTTON	

* On demand / Su richiesta

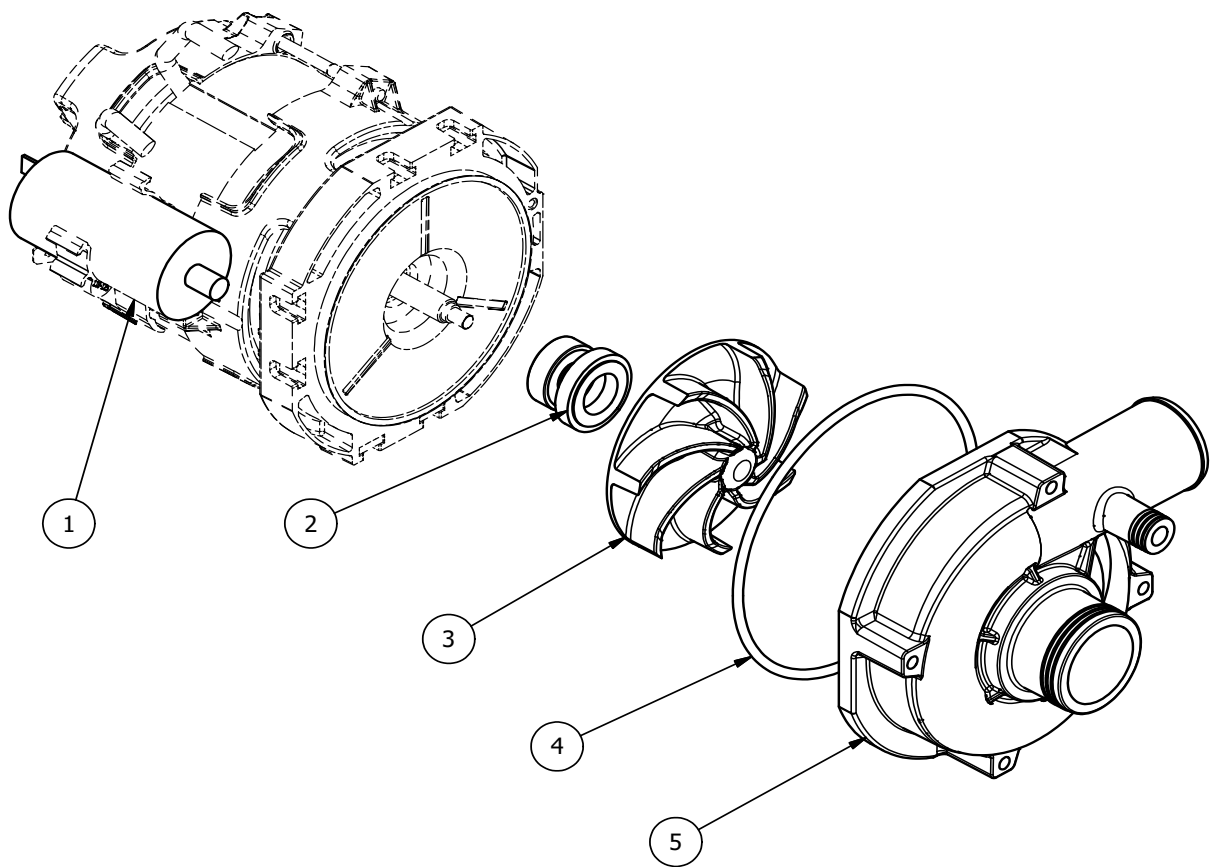
Bold=last change / Grassetto =ultima modifica

From Ser. Nr.
Up to Ser. Nr.

Ed. 01 2022-10
Ed.

Page: 31

Doc No:59566X300



WASH PUMP COMPONENTS - COMPONENTI POMPA DI LAVAGGIO

From Ser. Nr.
Up to Ser. Nr.

Ed. 01 2022-10
Ed.

Page: 32

@

Doc No:59566X300

XS & S SERIES
SERIE XS & S

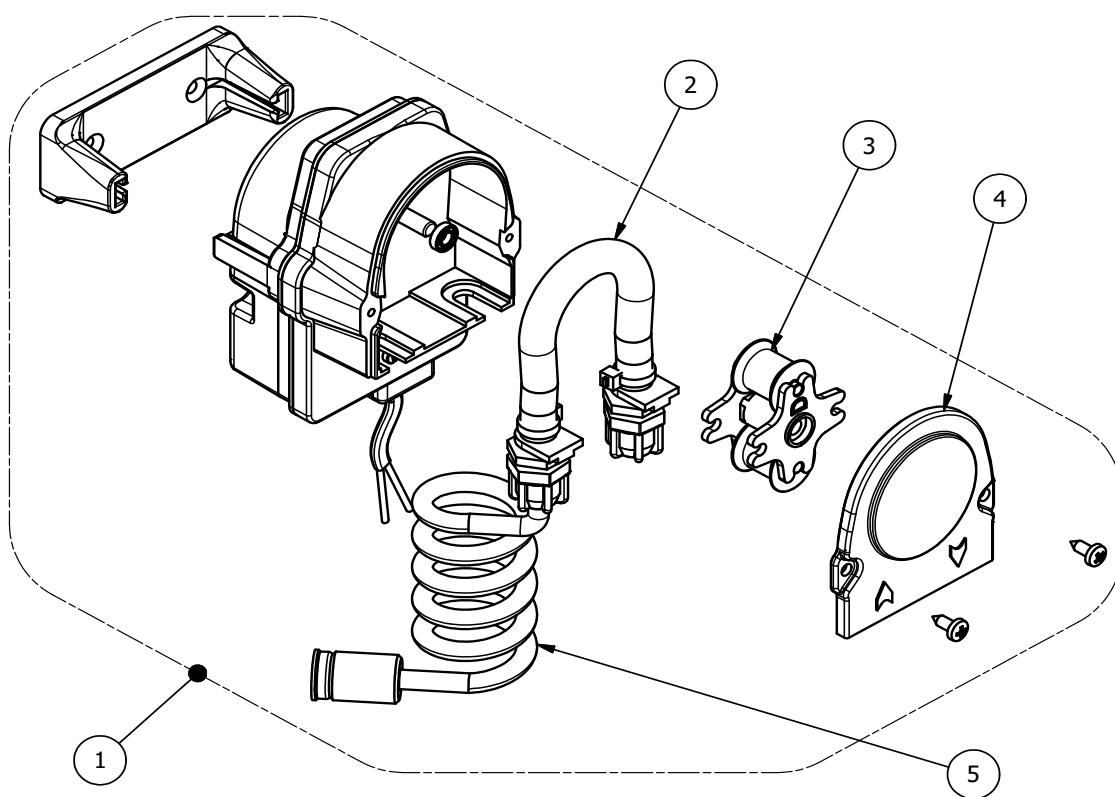
GLASSWASHER SINGLE SKIN
LAVABICCHIERI A SINGOLA PARETE

POS	SPARE PART CODE	FACTORY CODE	DESCRIZIONE	DESCRIPTION	REF./ NOTES
1		2080-0002	CONDENSATORE 5uF	CAPACITOR 5uF	
1		2080-0004	CONDENSATORE 6.3uF	CAPACITOR 6.3uF	
2		8395-0010	KIT TENUTA ROTANTE - SPW130SX	SEAL KIT - SPW130SX	
2		8395-0015	KIT TENUTA ROTANTE - OLYMPIA	SEAL KIT - OLYMPIA	
3		8304-0005	GIRANTE POMPA - SPW 130 SX [50Hz]	IMPELLER - SPW 130 SX [50Hz]	
3		8304-0013	GIRANTE D.57 - SPW130SX [60Hz]	IMPELLER D.57 - SPW130SX [60Hz]	e,i,z
3		2068-0001	GIRANTE D.67 PER OLYMPIA [50Hz]	IMPELLER D.67 - OLYMPIA [50Hz]	
4		2060-0001	GUARNIZIONE POMPA - SPW130SX	GASKET - SPW130SX	
4		00014574	GUARNIZIONE POMPA - OLYMPIA	GASKET - OLYMPIA	
5		2070-0001	CHIOCCIOLA POMPA - SPW130SX	CASING - SPW130SX	
5		00014572	CHIOCCIOLA POMPA - OLYMPIA	CASING - OLYMPIA	

* On demand / Su richiesta

Bold=last change / Grassetto =ultima modifica

From Ser. Nr. Up to Ser. Nr.	Ed. 01 2022-10 Ed.	Page: 33	Doc No:59566X300
---------------------------------	-----------------------	----------	-------------------------



DETERGENT PUMP - DOSATORE DETERGENTE

From Ser. Nr.
Up to Ser. Nr.

Ed. 01 2022-10
Ed.

Page: 34

@

Doc No:59566X300

XS & S SERIES
SERIE XS & S

GLASSWASHER SINGLE SKIN
LAVABICCHIERI A SINGOLA PARETE

POS	SPARE PART CODE	FACTORY CODE	DESCRIZIONE	DESCRIPTION	REF./ NOTES
1		00016163	ASS. DOS.DETER. REGOL. 0-3Lt/h	ADJ. DETER. DISPENSER 0-3Lt/h	
2		00017128	TUBO INTERNO DOSAT. DETERSIVO	INTERNAL DETERG. DISPENSER HOSE	
3		00006632	ASS. PORTARULLI DOS. DETERSIVO	DETERGENT DISPE.ROLL HOLDER ASS.	
4		8395-0013	COPERCHIO DI CHIUSURA	COVER ASSEMBLY	
5		00005069	ASS. FILTRO DOSAT. DETERS.+TUBO	DETERG. DISPENS. FILTER ASS.	
4	0L2402	0569608800	GUARNIZIONE IN CARTA	PAPER GASKET	
5	0L1086	05146A0200	DADO 1/2"	NUT 1/2"	
6	*	*	TUBO DETERGENTE SOLIDO 44"-UGELLO SX	SOLID DETERGENT PIPE 44"- LEFT SIDE	l1, m1, c3, f3
6	*	*	TUBO DETERGENTE SOLIDO 66"-UGELLO SX	SOLID DETERGENT PIPE 66"- LEFT SIDE	d3, e3, g3, h3
7	*	050361L200	TAPPO ESTERNO CAMERA LAVAGGIO	REAR CAP	
8	*	0543637F00	GUARNIZIONE SP.3MM PER TAPPO	GASKET 3MM FOR REAR CAP	
9	*	080566F200	TAPPO INTERNO CAMERA LAVAGGIO	INTERNAL CAP	

* On demand / Su richiesta

Bold=last change / Grassetto =ultima modifica

From Ser. Nr. Up to Ser. Nr.	Ed. 01 2022-10 Ed.	Page: 35	Doc No:59566X300
---------------------------------	-----------------------	-----------------	-------------------------

Electrolux Professional SpA
Viale Treviso, 15
33170 Pordenone, ITALY
Fax (+39) 0434 380 201
<https://www.electroluxprofessional.com>
<https://webgate.electroluxprofessional.com>