



Outperform every day.™

Project:
Item Number:
Quantity:

INTERNATIONAL MIRAGE® STANDARD DROP-IN INDUCTION RANGES



Mirage® Standard Drop-in Induction Ranges

DESCRIPTION

The high-efficiency, standard drop-in induction range is designed for use in commercial kitchens and front-of-the-house cooking.

The ceramic top is easily cleaned with a mild cleaner.

The induction range is equipped with a variety of safety features including:

- Over-heat protection
- Small-article detection
- Pan auto-detection function
- Empty-pan shut-off

ITEMS

- 59601 Drop-in Range – Schuko Plug
- 59602 Drop-in Range – UK Plug
- 59603 Drop-in Range – China Plug
- 59605 Drop-in Range – AU Plug

FEATURES

- Power and temperature control
- 100 power levels
- Temperature control in °F and °C
- Variable-speed knob for fast adjustment
- Fast, high temperature cooking
- Sensitive low-end control
- 180 minute timer
- 90% efficiency rating
- Control box displays HOT when drop-in is turned off if the top is still hot
- Digital display is easy to clean and read
- Drop-in has 6-ft. (183 cm) cord with plug
- Control box cable is 59 inches (1.5 meters)

NOTICE: This appliance is intended for use with induction-ready cookware.

WARRANTY

One year parts and labor. See Vollrath.com for full warranty details.

CLEARANCE AND ENVIRONMENT REQUIREMENTS

All models require unrestricted intake and exhaust air ventilation for proper operation of the controls. The maximum intake temperature must not exceed 110°F (43°C). Temperatures are measured in ambient air while all appliances in the kitchen are in operation.

Minimum Clearances:

- Sides: 2 inches (5.1 cm)
- Below: 12 inches (30.5 cm)

Agency Listings



Due to continued product improvement, please consult www.vollrath.com for current product specifications.

Approvals	Date

The Vollrath Company, L.L.C. Headquarters
 1236 North 18th Street
 Sheboygan, Wisconsin
 53081-3201 USA
 Main Tel: 800-624-2051 or 920-457-4851
 Main Fax: 800-752-5620 or 920-459-6573
 Canada Customer Service: 800-695-8560
 Tech Services: techservices@vollrathco.com
www.vollrath.com

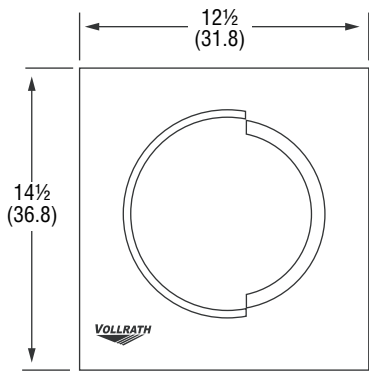
Vollrath Europe BV
 Beneluxbaan 7
 5121 AD RIJEN
 The Netherlands
 +31161870005

Vollrath of China
 Vollrath Shanghai Trading Limited
 23A, Time Square Plaza | 500
 Zhang Yang Road
 Pudong, Shanghai 200122
 Tel: 86-21-50589580

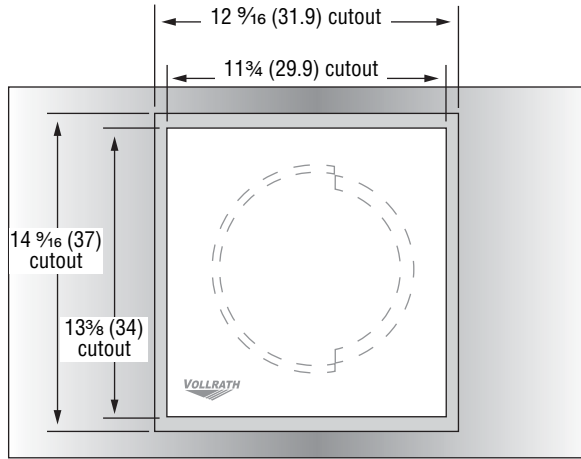
Vollrath de Mexico S. de R.L. de C.V.
 Periferico Sur No. 7980 Edificio 4-E
 Col. Santa Maria Tequepexpan
 45600 Tlaquepaque, Jalisco | Mexico
 Tel: (52) 333-133-6767
 Tel: (52) 333-133-6769
 Fax: (52) 333-133-6768

INTERNATIONAL MIRAGE® STANDARD DROP-IN INDUCTION RANGES

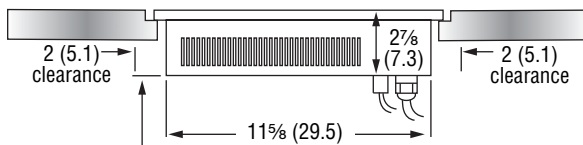
DIMENSIONS (Shown in inches (cm))



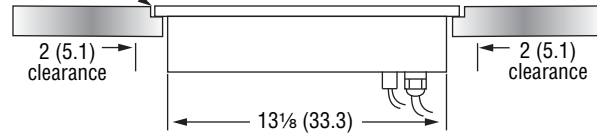
Top View



Top View

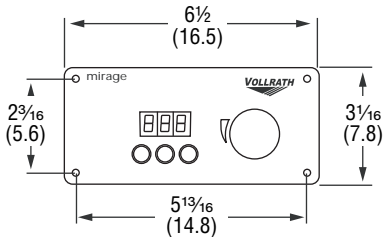


Front View

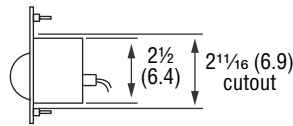


Side View

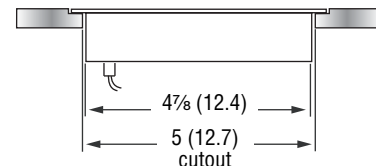
Control Box



Top View



Side View



Front View

SPECIFICATIONS

Item No.	Max Pan Size	Voltage	Watts	Amps	Phase	Hz	Plug	Weight Lb (Kg)
59601	14 (35.6)	230	1800	7.8	Single	50/60	Schuko	12 (5.4)
59602							UK	
59603							China	
59605							AU	

Receptacles



UK



China



Schuko



AU

The Vollrath Company, L.L.C. Headquarters
 1236 North 18th Street
 Sheboygan, Wisconsin
 53081-3201 USA
 Main Tel: 800-624-2051 or 920-457-4851
 Main Fax: 800-752-5620 or 920-459-6573
 Canada Customer Service: 800-695-8560
 Tech Services: techservicereps@vollrathco.com
 www.vollrath.com

Vollrath Europe BV
 Beneluxbaan 7
 5121 AD RIJEN
 The Netherlands
 +31161870005

Vollrath of China
 Vollrath Shanghai Trading Limited
 23A, Time Square Plaza | 500
 Zhang Yang Road
 Pudong, Shanghai 200122
 Tel: 86-21-50589580

Vollrath de Mexico S. de R.L. de C.V.
 Periferico Sur No. 7980 Edificio 4-E
 Col. Santa Maria Tequepexpan
 45600 Tlaquepaque, Jalisco | Mexico
 Tel: (52) 333-133-6767
 Tel: (52) 333-133-6769
 Fax: (52) 333-133-6768