



Electrolux

Peelers Vegetable Peeler, 5/6kg with abrasive plate - UK Plug

ITEM # _____

MODEL # _____

NAME # _____

SIS # _____

AIA # _____



Peelers

Vegetable Peeler, 5/6kg with abrasive plate - UK Plug

601070 (CD4G)

5/6kg vegetable peeler-100/140kg/h (UK)

Short Form Specification

Item No. _____

Vegetable peeler with adjustable components can be installed in the smallest spaces. The cylinder, base, door and motor casing are made of non-toxic polished aluminium. The screws and bolts are in stainless steel. Sealed mechanism is mounted on ball bearings. No lubrication necessary. Belt drive unit for silent operations. Door is completely sealed with an efficient and robust lock. The surfaces easily cleaned by rinsing. Cylinder is lined with carborundum abrasive and surrounded with a metal band. The controls and the motor have IP55 protection. UK plug.

APPROVAL: _____

Main Features

- Transparent lid to close the cylinder during peeling operations.
- Supplied with an abrasive plate as standard.
- Products downloading made easy thanks to the specific chute, activating manually the disc rotation to channel the product out of the peeling chamber.
- ON/OFF buttons and timer operation knob.
- Easily fits onto the base, with the drive shaft fitting into the center of the plate.
- Unit can be placed on a work top.
- Suitable for operations up to 100-140 kg/h.

Construction

- 1 speed: 305 rpm.
- IP55 waterproof control buttons.

Optional Accessories

- Filter table with anti-foaming device PNC 653025
- Table for vegetable peelers - for FPP5SG/FPP8SG. Discharge height = 754mm PNC 653026
- Table for vegetable peelers (h=740) PNC 653038
- Waste dilution unit for 5/6 - 8/10 kg vegetable peeler PNC 653042



Electrolux

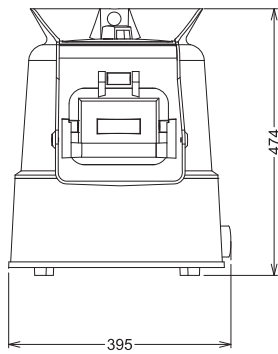
Vegetable Peeler, 5/6kg with abrasive plate - UK Plug
Peelers



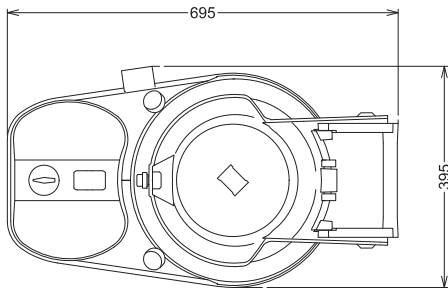
Electrolux

Peelers Vegetable Peeler, 5/6kg with abrasive plate - UK Plug

Front

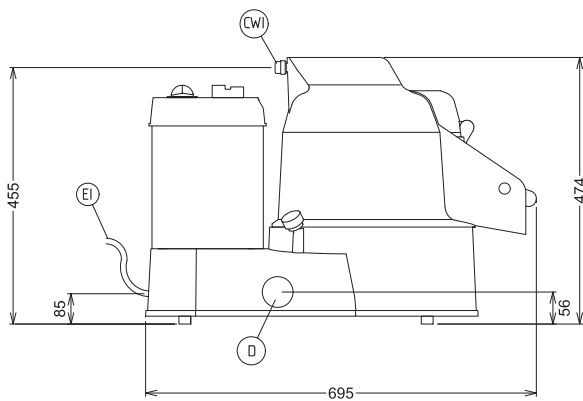


Top



- CWI = Cold Water inlet
- D = Drain
- EI = Electrical connection

Side



Electric

Supply voltage:

601070 (CD4G)

230 V/1N ph/50/60 Hz

Capacity

Performance (up to):

140 - kg/hour

Capacity

5 kg

Key Information

External dimensions, Height

474 mm

External dimensions, Width

395 mm

External dimensions, Depth

695 mm

Shipping weight:

38 kg

Peelers
Vegetable Peeler, 5/6kg with abrasive plate - UK Plug

The company reserves the right to make modifications to the products without prior notice. All information correct at time of printing.

2016.04.18