



Electrolux

Peelers Vegetable Peeler, 8/10kg with abrasive plate - UK Plug

ITEM # _____

MODEL # _____

NAME # _____

SIS # _____

AIA # _____



601071 (CD8G)

8/10kg vegetable
peeler-170/250kg/h (UK)

Main Features

- Transparent lid to close the cylinder during peeling operations.
- Supplied with an abrasive plate as standard.
- Products downloading made easy thanks to the specific chute, activating manually the disc rotation to channel the product out of the peeling chamber.
- ON/OFF buttons and timer operation knob.
- Easily fits onto the base, with the drive shaft fitting into the center of the plate.
- Unit can be placed on a work top.
- Suitable for operations up to 170-250 kg/h.

Construction

- 1 speed: 305 rpm.
- IP55 waterproof control buttons.
- [NOT TRANSLATED]

Optional Accessories

- Filter table with anti-foaming device PNC 653025
- Table for vegetable peelers PNC 653026
- Table for vegetable peelers (h=740) PNC 653038
- Waste dilution unit for 5/6 - 8/10 kg vegetable peeler PNC 653042

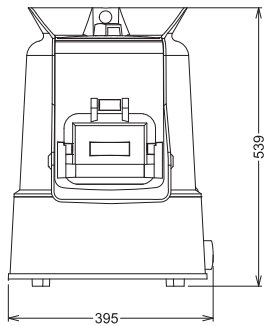
APPROVAL: _____



Electrolux

Peelers
Vegetable Peeler, 8/10kg with abrasive plate - UK Plug

Front



Electric

Supply voltage:
601071 (CD8G)

220-240 V/1N ph/50 Hz

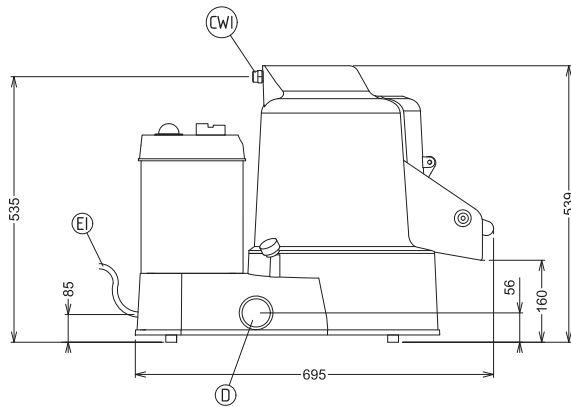
Capacity:

Performance (up to): 250 - kg/hour
Capacity: 8 kg

Key Information:

External dimensions, Width: 395 mm
External dimensions, Height: 539 mm
External dimensions, Depth: 695 mm
Shipping weight: 38 kg
Peeling capacity/potatoes: 200 kg/h

Side



CW = Cold Water inlet 1
D = Drain
EI = Electrical inlet (power)

Top

