

Peelers

Vegetable Peeler, 25 kg - Abrasive Plate, Single Phase

ITEM # _____

MODEL # _____

NAME # _____

SIS # _____

AIA # _____


602010 (T25EF150)

 Vegetable Peeler, 25 kg -
 with abrasive plate -
 220-240V/1/50

602011 (T25EF160)

 Vegetable Peeler, 25 kg -
 with abrasive plate -
 220-240V/1/60

Short Form Specification

Item No. _____

Constructed in stainless steel. The removable rotating plate and the cylinder are covered with a removable rotating plate covered in very resistant abrasive material (silicon carbide). Fully opening polycarbonate lid. An interlocking safety magnetic device will stop the machine when the unloading door is opened. Flat and waterproof touch button control panel with timer. The electronic controls and motor have IP55 protection. Supplied with abrasive plate and abrasive cylinder for hard vegetables peeling.

Main Features

- Removable rotating plate covered in very resistant abrasive material (silicon carbide).
- Peels are reduced to small pieces to facilitate drainage process.
- Supplied with:
-abrasive plate and abrasive cylinder as standard
- Timer with countdown display.
- Pulse function to control the unloading operation.
- Safety device stops the machine from operating with unloading door open.
- Suitable for 100-500 meals per service.

Construction

- Complete stainless steel construction.
- IP55 waterproof touch button control panel.
- Transparent BPA free cover.

Included Accessories

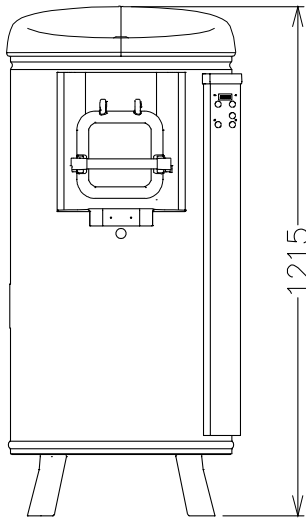
- 1 of Abrasive plate for 25 kg vegetable peeler PNC 653506

Optional Accessories

- Mobile trolley with filter tray for 25 kg peeler PNC 653302
- Abrasive plate for 25 kg vegetable peeler PNC 653506
- Waste dilution unit for 25 kg vegetable peeler PNC 653509

APPROVAL: _____

Front


Electric
Supply voltage:

602010 (T25EF150)	220-240 V/1N ph/50 Hz
602011 (T25EF160)	220-240 V/1N ph/60 Hz

Electrical power max.: 1.1 kW

Total Watts: 1.1 kW

Capacity:
Performance (up to): 400 - kg/hour

Capacity: 25 kg

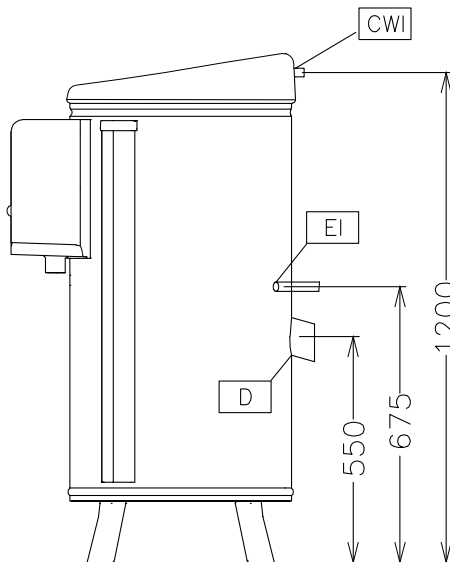
Key Information:
External dimensions, Width: 585 mm

External dimensions, Height: 1215 mm

External dimensions, Depth: 785 mm

Shipping weight: 103 kg

Side



CWI = Cold Water inlet 1
 D = Drain
 EI = Electrical inlet (power)

Top

