



Electrolux

Food Processor Cutter Mixer 4.5 LT - Variable Speed - UK Plug

ITEM # _____

MODEL # _____

NAME # _____

SIS # _____

AIA # _____



Electrolux



Food Processor

Cutter Mixer 4.5 LT - Variable Speed - UK Plug

603711 (K45VVEG)

Cutter mixer 4,5 lt bowl capacity, variable speed 300 to 3700 rpm. Supplied with micro toothed blade rotor and stainless steel bowl (UK)

Short Form Specification

Item No. _____

2 in 1 machine: table-mounted cutter and emulsifier thanks to the ergonomic and easily dismantlable scraper, in heavy duty composite material, for liquidising, mixing and mincing in a matter of seconds. Stainless steel 4,5 litre bowl with high chimney to increase the real capacity of the bowl (use up to 75% of nominal capacity). Unique bowl design for mixing both large or small quantities. Transparent lid to check consistency of food and to eventually add ingredients without having to open the lid. Hinged cover, when lifted, remains open to permit a fast and easy check of preparation. Micro toothed blades in 420 AISI stainless steel. All parts are easily dismantled and dishwasher safe. Multiple safety devices ensure the machine will only operate when the cover is properly closed and all parts are correctly positioned. Flat and waterproof control panel with on/off button, pulse function and variable speed (from 300 to 3700rpm). Possibility to upgrade to a combi machine just adding the vegetable slicer attachment. UK plug.

Main Features

- Kit to convert food processor into vegetable slicer available as accessory.
- Table-mounted robust cutter and emulsifier allows fast liquidizing, mixing, chopping, mincing, and pastry-making.
- Flat and waterproof control panel with on/off button and pulse function.
- Microswitch and safety devices on handle, lid and bowl.
- Emulsifier function (scraper) included as standard.
- Lid with opening to add ingredients in mid-cycle.
- All parts in contact with food are removable without the use of tools, completely dismantlable and dishwasher safe.
- Pulse function to coarse chopping.
- Base fixed cover for a better handling.
- Productivity suitable for 50-100 meals per service.

Construction

- Stainless steel 4.5 liter bowl has a high chimney to ensure high productivity also when processing liquids (75% of the nominal capacity).
- Variable speed from 300 to 3700 rpm.
- Microtoothed blades in 420 AISI stainless steel and ergonomic scraper in high resistant composite material to ensure consistent mixing.
- Transparent lid incorporates a magnetic contact safety system.

Included Accessories

- 1 of Microtoothed blade rotor for 4,5 lt cutter mixer PNC 653580
- 1 of Lid and bowl scraper for 4,5 lt cutter mixer PNC 653588
- 1 of Stainless steel bowl, 4,5 lt capacity PNC 653589

Optional Accessories

- Microtooth blade rotor (emulsifier) for 4,5 lt cutter mixer PNC 650039
- Smooth blade rotor for 4,5 lt cutter mixer PNC 653579
- Microtoothed blade rotor for 4,5 lt cutter mixer PNC 653580
- Lid and bowl scraper for 4,5 lt cutter mixer PNC 653588
- Stainless steel bowl, 4,5 lt capacity PNC 653589
- Kit to convert variable speed food processor into vegetable slicer (incl. stainless steel hopper, manual lever, cutting chamber, ejector and adjustable base) PNC 653594
- Smooth blade rotor (emulsifier) for 4,5 lt cutter mixer PNC 653614

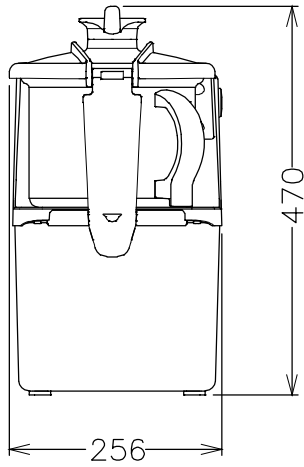
APPROVAL: _____



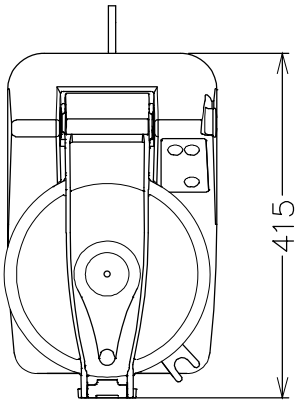
Electrolux

Food Processor Cutter Mixer 4.5 LT - Variable Speed - UK Plug

Front

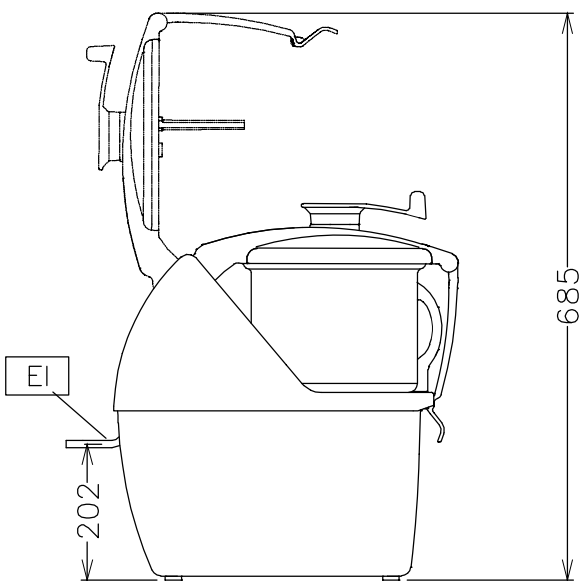


Top



EI = Electrical connection

Side



Electric

Supply voltage:

603711 (K45VVEG) 200...240 V/1N ph/50/60 Hz

Connected load:

1 kW

Total Watts:

1 kW

Capacity

Performance (up to):

2 - kg/Cycle

Capacity

4.5 liter

Key Information

External dimensions, Height 470 mm

External dimensions, Width 256 mm

External dimensions, Depth 415 mm

Shipping weight: 25 kg



**Food Processor
Cutter Mixer 4.5 LT - Variable Speed - UK Plug**

The company reserves the right to make modifications to the products without prior notice. All information correct at time of printing.

2014.06.24