



Outperform every day.™

Project:
Item Number:
Quantity:

INTERNATIONAL ULTRA SERIES DROP-IN INDUCTION RANGES



DESCRIPTION

These high-efficiency, heavy-duty commercial drop-in induction ranges are designed for use in commercial kitchens and front-of-the-house cooking. They provide sensitive low-end control for cooking sauces, milks and chocolates as well as fast, high temperature cooking.

The ceramic top is easily cleaned with a mild cleaner.

The induction range is equipped with a variety of safety features including:

- Over-heat protection
- Small-article detection
- Pan auto-detection function
- Empty-pan shut-off

AGENCY LISTING



Due to continued product improvement, please consult www.vollrath.com for current product specifications.

ITEMS

- 6950502 Single Hob – Schuko CEE7-7 Plug
- 6950503 Single Hob – UK2-15 (BS546) Plug
- 6950505 Single Hob – AU2-15P Plug

FEATURES

- 100 power settings for precise cooking control
- Controlled high-end temperatures for saute, stir fry, stock pot and sauce pot applications
- Sensitive low-end control for cooking delicate sauces, cremes, and chocolates
- Continuous duty induction circuitry for non-stop cooking
- 90% efficiency rating
- Double oversized fans for longer life
- Digital display is easy to clean – no knobs to collect food and helps prevent accidental temperature changes
- Control panel displays "HOT" warning for safety
- Control panel has 3' (91.4 cm) cord
- Drop-in has 6' (183 cm) cord with plug
- Two-year parts and labor warranty

WARRANTY

All models shown come with Vollrath's standard warranty against defects in materials and workmanship. For full warranty details, please refer to www.Vollrath.com.

CLEARANCE AND ENVIRONMENT REQUIREMENTS

- This appliance is intended for use with induction-ready cookware. It is not intended to be used with aluminum pans with a metal disc on the bottom.
- All models require unrestricted intake and exhaust air ventilation for proper operation of the controls. The maximum intake temperature must not exceed 110°F (43°C). Temperatures are measured in ambient air while all appliances in the kitchen are in operation.
- Drop-in models require a minimum clearance of 3 inches (7.6 cm) at the rear and 1 inch (2.5 cm) at the bottom.

Approvals	Date

The Vollrath Company, L.L.C. Headquarters
 1236 North 18th Street
 Sheboygan, Wisconsin
 53081-3201 USA
 Main Tel: 800-624-2051 or 920-457-4851
 Main Fax: 800-752-5620 or 920-459-6573
 Canada Customer Service: 800-695-8560
 Tech Services: techservicereps@vollrathco.com
www.vollrath.com

Pujadas
 Ctra. de Castanyet,
 132 P.O. Box 121
 17430 Santa Coloma de Farners
 (Girona) – Spain
 Tel. +34-972-84-32-01
info@pujadas.es

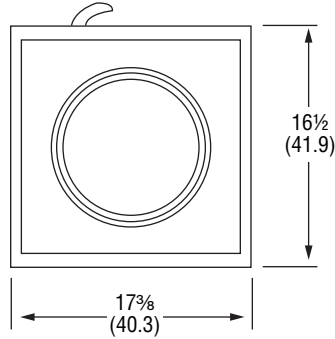
Vollrath of China
 Vollrath Shanghai Trading Limited
 Room 201, Building A
 Xin Yi Plaza
 1618 Yi Shan Road
 Shanghai, 201103
 China, P.R.C.
 Tel: +86-21-5058-9580

Vollrath de Mexico S. de R.L. de C.V.
 Periferico Sur No. 7980 Edificio 4-E
 Col. Santa Maria Tequepexpan
 45600 Tlaquepaque, Jalisco | Mexico
 Tel: (52) 333-133-6767
 Tel: (52) 333-133-6769
 Fax: (52) 333-133-6768

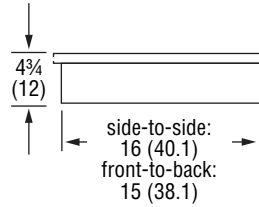
INTERNATIONAL ULTRA SERIES DROP-IN INDUCTION RANGES

DIMENSIONS (Shown in inches (cm))

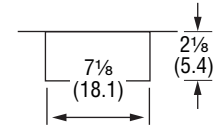
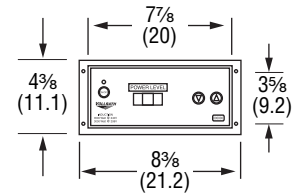
6950502 / 6950503 / 6950505



Top View



Side View



Control

SPECIFICATIONS

Item No.	Max Pan Size	Drop-in Cutout	Control Cutout	Voltage	KW	HZ	Amps	Plug
6950502	14 (35.6)	16 1/8 x 15 1/8 (40.9 x 38.4)	7 1/4 x 3 7/8 (18.4 x 9.8)	208-240	3.0-3.5	50/60	14.6	Schuko
5950503								UK
6950505								AU

Receptacles



Schuko



UK



AU

The Vollrath Company, L.L.C. Headquarters
 1236 North 18th Street
 Sheboygan, Wisconsin
 53081-3201 USA
 Main Tel: 800-624-2051 or 920-457-4851
 Main Fax: 800-752-5620 or 920-459-6573
 Canada Customer Service: 800-695-8560
 Tech Services: techservicereps@vollrathco.com
 www.vollrath.com

Pujadas
 Ctra. de Castanyet,
 132 P.O. Box 121
 17430 Santa Coloma de Farners
 (Girona) – Spain
 Tel. +34-972-84-32-01
 info@pujadas.es

Vollrath of China
 Vollrath Shanghai Trading Limited
 Room 201, Building A
 Xin Yi Plaza
 1618 Yi Shan Road
 Shanghai, 201103
 China, P.R.C.
 Tel: +86-21-5058-9580

Vollrath de Mexico S. de R.L. de C.V.
 Periferico Sur No. 7980 Edificio 4-E
 Col. Santa Maria Tequepexpan
 45600 Tlaquepaque, Jalisco | Mexico
 Tel: (52) 333-133-6767
 Tel: (52) 333-133-6769
 Fax: (52) 333-133-6768