



Electrolux

**Blast Chillers-Freezers CW
Blast Chiller-Freezer
Crosswise - 19,5 kg**

ITEM # _____

MODEL # _____

NAME # _____

SIS # _____

AIA # _____



Electrolux



Blast Chillers-Freezers CW

Blast Chiller-Freezer Crosswise - 19,5 kg

726627 (RBF061)

Blast chiller & freezer 15kg, for 6x1/1GN crosswise oven. Freezer +70°C to -5°C then to -18°C. Chiller +70°C to +3°C. Supplied with a single sensor probe

727131 (RBF0616)

Blast chiller & freezer 19,5/15kg, compatible with 6x1/1GN crosswise oven

Short Form Specification

Item No. _____

For 6 GN1/1 or 600x400 mm trays. Load capacity: chilling 19,5 kg; freezing 15,2 kg (UK guidelines). Main components in 304 AISI stainless steel. Internal rounded corners and drain. Built-in refrigeration unit. Automatic detection of food probe insertion. Automatic and Manual defrost. Blast chilling real residual time estimation (A.R.T.E.). Turbo cooling function. Specific cycles for ice cream. Evaporator with antirust protection. Digital temperature and time display. HACCP and Service alarms with data logging. Operating air temperature: +90 -41°C. For ambient temperatures up to 32°C. Cyclopentane insulation (HCFC, CFC and HFC free). R404a refrigerant gas (HCFC and CFC free).

Main Features

- Blast Chilling cycle: 19,5 kg from 90°C up to 3°C in less than 90 minutes.
- Blast Freezing cycle: 15 kg from 90°C up to -18°C in less than 240 min.
- Soft Chilling (air temperature 0°C).
- Hard Chilling (air temperature -20°C).
- Holding at +3 °C for chilling or -18 °C for freezing, automatically activated at the end of each cycle, to save energy and maintain the target temperature (manual activation is also possible).
- Turbo cooling: chiller works continuously at the desired temperature; ideal for continuous production.
- Control unit provides two large displays to read out: time, core temperature, cycle countdown, alarms, service information.
- Two customizable cycles (P1 & P2) for each operating mode, allowing to set the time and air temperature. These programs can be converted into ice-cream specialized cycles (shape maintainance and holding).
- All information related to the different operating models are recorded: date, time, cycle, core temperature, holding temperature, HACCP accordance.
- Single sensor core probe as standard.
- Probe-driven cycles feature ARTE (Algorithm for Remaining Time Estimation) to make planning the activities easier.
- Performance guaranteed at ambient temperatures of +32 °C.

Construction

- High density polyurethane insulation, 60 mm thickness, HCFC free.
- Magnetic, easy-to-remove heated gaskets.
- 304 AISI stainless steel construction throughout.
- Seamless hygienic inner cell with all rounded corners for easy cleaning.
- Swing hinged front panel for easy service access to main components.
- Ventilator swinging hinged panel for access to the evaporator for cleaning.
- R404A gas in refrigeration circuit.
- No water connections required.
- Waste water can be plumbed into drain, but can also be collected in an optional waste container.

APPROVAL: _____



Electrolux

Blast Chillers-Freezers CW Blast Chiller-Freezer Crosswise - 19,5 kg

Included Accessories

- 1 of 1 extra single-sensor probe for blast chiller and blast chiller&freezers PNC 880213

Optional Accessories

- Kit for HACCP advanced connection for LW and CW blast chiller&freezer PNC 880183
- 3-sensor probe for blast chiller and blast chiller/freezers PNC 880212
- 1 extra single-sensor probe for blast chiller and blast chiller&freezers PNC 880213
- Rilsan grid 600x400mm PNC 880864
- Plastic coated grid 1/1GN PNC 881061
- 4 wheels for blast chillers and blast chiller/freezers PNC 881097
- Kit for stacking 6x1/1GN convection oven and 15kg blast chillers and blast chiller&freezers PNC 881528
- Printer for HACCP basic version for self service units PNC 881532
- Pair of 1/1GN AISI 304 stainless steel grids PNC 921101



**Blast Chillers-Freezers CW
Blast Chiller-Freezer Crosswise - 19,5 kg**

The company reserves the right to make modifications to the products without prior notice. All information correct at time of printing.

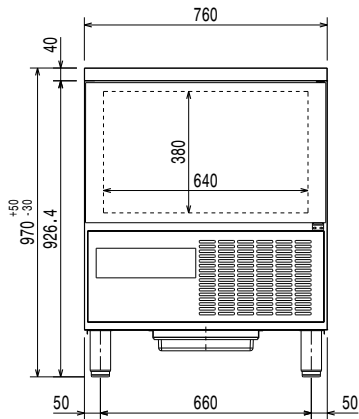
2014.06.23



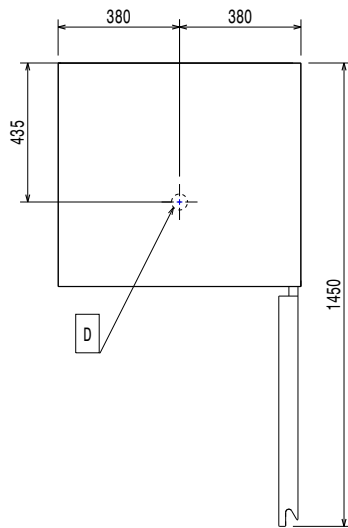
Electrolux

Blast Chillers-Freezers CW Blast Chiller-Freezer Crosswise - 19,5 kg

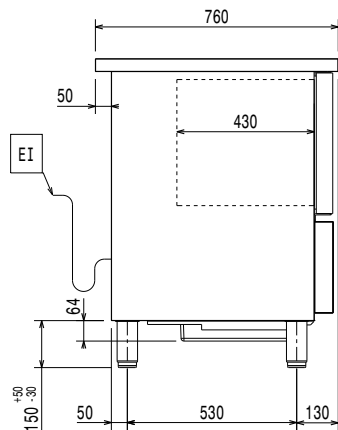
Front



Top



Side



- ED = Remote electrical connection
- EI = Electrical connection
- RO = Refrigerant Outlet

Electric

Supply voltage:

726627 (RBF061)	230 V/1N ph/50 Hz
727131 (RBF0616)	220 V/1N ph/60 Hz

Connected load: 1.51 kW

Circuit breaker required

Installation

Clearance: 5 cm on sides and back.

Please see and follow detailed installation instructions provided with the unit

Capacity

GN:	6 - 1/1 containers
Max load capacity:	15 kg

Key Information

External dimensions, Height	970 mm
External dimensions, Width	760 mm
External dimensions, Depth	760 mm
Net weight:	
726627 (RBF061)	105 kg
727131 (RBF0616)	125 kg
Shipping weight:	115 kg
Shipping volume:	
726627 (RBF061)	0.79 m ³
727131 (RBF0616)	0.84 m ³

Refrigeration Data

Refrigerant type:	R404a
Refrigeration power:	
726627 (RBF061)	1072 W
727131 (RBF0616)	1510 W
Refrigeration power at evaporation temperature:	
726627 (RBF061)	-25 °C
727131 (RBF0616)	-23.3 °C
Refrigerant weight:	850 g

**Blast Chillers-Freezers CW
Blast Chiller-Freezer Crosswise - 19,5 kg**

The company reserves the right to make modifications to the products without prior notice. All information correct at time of printing.

