

Self Contained Ice Machine up to 160 Kg



Features

- Produces granular shape ice flakes, 80% hardness
- Up to 160 kg (352 lbs) daily production
- Up to 60 kg (132 lbs) ice storage capacity
- Ice scoop holder safely positioned in ice-storage bin
- Resistant stainless steel exterior
- Advanced diagnostics computerized control
- Front panel in & out airflow (air-cooled model only) for built-in installation
- Front access condenser air filter, removable and washable (air cooled version only)
- Easily accessible, front panel mount, ON-OFF Switch
- Easy, front panel access to technical / service area of the machine
- Routine Maintenance visible alarm light on front panel
- Ergonomically designed ice storage access, with disappearing door
- Door-closing movement dampening system
- Vapor-based microbial control system pouch in ice storage area
- OPTIONAL PWD System for remote water drain (easy-fit installation)
- AgION antimicrobial agent embedded in molded plastics parts
- CFC-free R-404A Refrigerant
- 2 years manufacturer warranty on defective components

Easy bin access



Hygienic scoop holder



Proximity condenser air filter

Routine Maintenance Alarm



Front ON-OFF Switch



Electronic



Recessed Connections Panel

AF 156 Technologies



	Compressor	10°: 10°C		21°: 15°C		[kg] [lbs]		[kg] [lbs]	[WxDxH mm] 950x605x1006
		[kg]	[lbs]	[kg]	[lbs]	[kg]	[lbs]		
AF 156 AS		150	330,5	145	319,5	60	132		
AF 156 WS		160	352,5	150	330,5	60	132		

Dimensions: mm 120 x 4 3/4" (height), 37 3/8" x 23 13/16" x 39 5/8" (width/depth)

Electrical: [v/Hz/ph] 230/50/1

Refrigerant: R404A

This product qualifies for the following listings:



Flake Ice
Residual water content 20%



Ice in its most natural form, made at a temperature just below zero degrees Celsius, contains 20% residual water content, making it very moist. Its flake shape makes it extremely versatile and very simple to use effectively.

2 Years Warranty

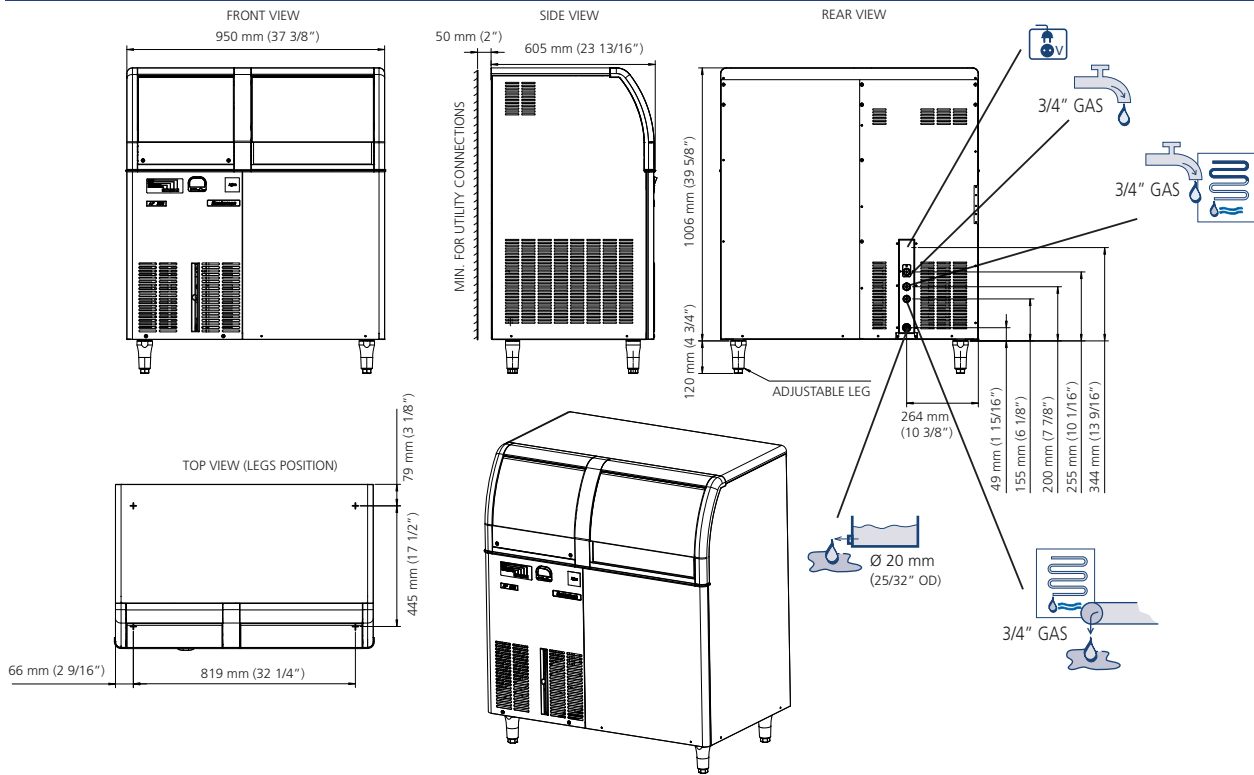
Subject to certain limitations and exclusions

Certified ISO 9001:2000

www.scotsman-ice.it
www.scotsman-ice.com
www.scotsman-ice-on-tablet.com

Models and specifications are subject to change without notice.

Self Contained Ice Machine up to 160 Kg



AF 156 AIR COOLED

°C °F	°C				kg
	10°	15°	21°	32°	
10°	150	147	144	138	kg
50°	330,5	324	317,5	304	lbs
21°	148	145	142	136	kg
70°	326	319,5	313	299,5	lbs
32°	126	123	120	114	kg
90°	277,5	271	264,5	251,5	lbs
38°	112	109	106	100	kg
100	247	240	233,5	220,5	lbs



AF 156 WATER COOLED

°C °F	°C				kg
	10°	15°	21°	32°	
10°	160	154	148	136	kg
50°	352,5	339,5	326	299,5	lbs
21°	156	150	144	132	kg
70°	344	330,5	317,5	291	lbs
32°	152	146	140	128	kg
90°	335	312	308,5	282	lbs
38°	149	143	137	125	kg
100	328,5	315	302	275,5	lbs



Minimum

10°C (50°F)



Maximum

40°C (104°F)

5°C (41°F)



35°C (95°F)

-10%



+10%

1 BAR
14 psi



5 BAR
70 psi

Model	Compressor	Capacity [Btu/h] [W]	Condenser [Ømm ²]	Power [W]	FUSE	Energy [kWh] - 100 Kg	Water [l/h]	Ice [gal/h]	Weight [kg] [lbs]	Dimensions [kg] [lbs]
AF 156 AS		4845 1420	1,5	650	10	12,3	5	1,3	75 165	88 194
AF 156 WS		4845 1420	1,5	510	10	9	76	20	75 165	88 194