

MODEL: **AquaJet AJPR10-SH-BF0-S**



AQUAJET

AquaJet Pre-Rinse Spray. AJPR10 base / SHORT style/ No bowl filler / STANDARD gun

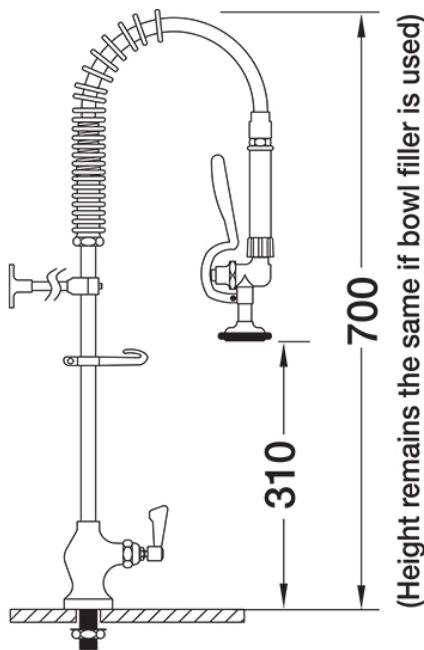
Model range: AquaJet 10
Base: AJPR10
Style: Short
Bowl filler: No bowl filler (BF0)
Spray gun: Standard
Pedestal: Single
Mount: Deck mounted
Water feed: Single Monobloc
Controls: Lever
Connections: (M) 1/2-inch
Accreditation: WRAS

FEATURES & BENEFITS

- A variety of choices to suit each application.
- WRAS approved across the range.
- Pre-assembled, ready to install - saves time on site.
- All assembled models are factory tested up to 6 bar for quality assurance.
- Choice of optional bowl fillers, water dispensing guns and accessories.
- Restraining device available to prevent hose from overstretching into basin, which reduces abuse and helps meet Water Board regulations.
- Super strong, food-grade, high-flow water hose.

TECHNICAL INFO

- Connection: (M) 1/2-inch
- Tap hole req: 25mm
- Flow rates: 7.75 lpm tested at 3 bar pressure.



(M) 1/2-inch connection
 Tap hole req.: 25mm dia.

Dimensions are in millimeters. If a Cad file is required please visit www.mechline.com.

MAINTENANCE & CLEANING

Cleaning chrome: Do not use abrasive, chlorine or acid-based cleaning products. Avoid contact with concentrated bleach. Clean with soapy water using a cloth or sponge.



MECHLINE DEVELOPMENTS LIMITED
 Tel: +44 (0)1908 261511 | Email: info@mechline.com | Web: www.mechline.com