



SAFETY & OPERATING INSTRUCTIONS



EDLUND ARC SLICER, Models ARC-136, -125 & -138

⚠ WARNING

READ AND UNDERSTAND THIS MANUAL AND ALL INSTRUCTIONS BEFORE OPERATING THIS SLICER.



Edlund *We're in your kitchen.™*

159 Industrial Parkway, Burlington, VT 05401, USA 800-772-2126 www.edlundco.com

Table of Contents

CHAPTER 1 - INTRODUCING THE EDLUND ARC SLICER.....	1
Conventions used in this manual	1
Specifications for the Edlund ARC Slicer, Models ARC-136, -125 & -138	2
CHAPTER 2 - GENERAL SAFETY RULES.....	3
Labels	3
Operating the Slicer Safely.....	4
Additional Information and Potential Changes.....	4
CHAPTER 3 - OPERATING YOUR EDLUND ARC SLICER	5
Using the Edlund ARC Slicer.....	5
Edlund ARC Slicer Features	6
CHAPTER 4 - MAINTAINING THE EDLUND ARC SLICER.....	7
Cleaning and Inspection	7
CHAPTER 5 – TROUBLESHOOTING	8
Troubleshooting Table.....	8
CHAPTER 6 - PARTS LISTS, DIAGRAMS, AND WARRANTY	10
Parts List - Edlund ARC Slicer, Models ARC-136, -125 & -138.....	10
Exploded View - Edlund ARC Slicer, Models ARC-136, -125 & -138.....	11
Warranty	12

CHAPTER 1 - INTRODUCING THE EDLUND ARC SLICER

This manual will help you set up and safely operate your new Edlund ARC Slicer. Careful adherence to the safety and operating instructions in this manual will ensure many years of productive use. Please let us know of any questions you may have. To expedite your call, please have your serial number and/or order number handy. **For technical assistance, please call Toll-Free 1-800-772-2126 and one of our Technical Support Representatives will be happy to help you.**

Conventions used in this manual

 WARNING (ORANGE)

THIS INDICATES A POTENTIALLY HAZARDOUS SITUATION, WHICH, IF NOT AVOIDED, COULD RESULT IN MINOR OR MODERATE INJURY.

NOTE: *This information may be helpful to you.*

Tip: This is a helpful hint to guide you in getting the most out of your Edlund ARC Slicer.

Specifications for the Edlund ARC Slicer, Models ARC-136, -125 & -138

Model Number ARC-136	3/16" Slice (5mm)
Model Number ARC-125	1/4" Slice (6.5mm)
Model Number ARC-138	3/8" Slice (10mm)

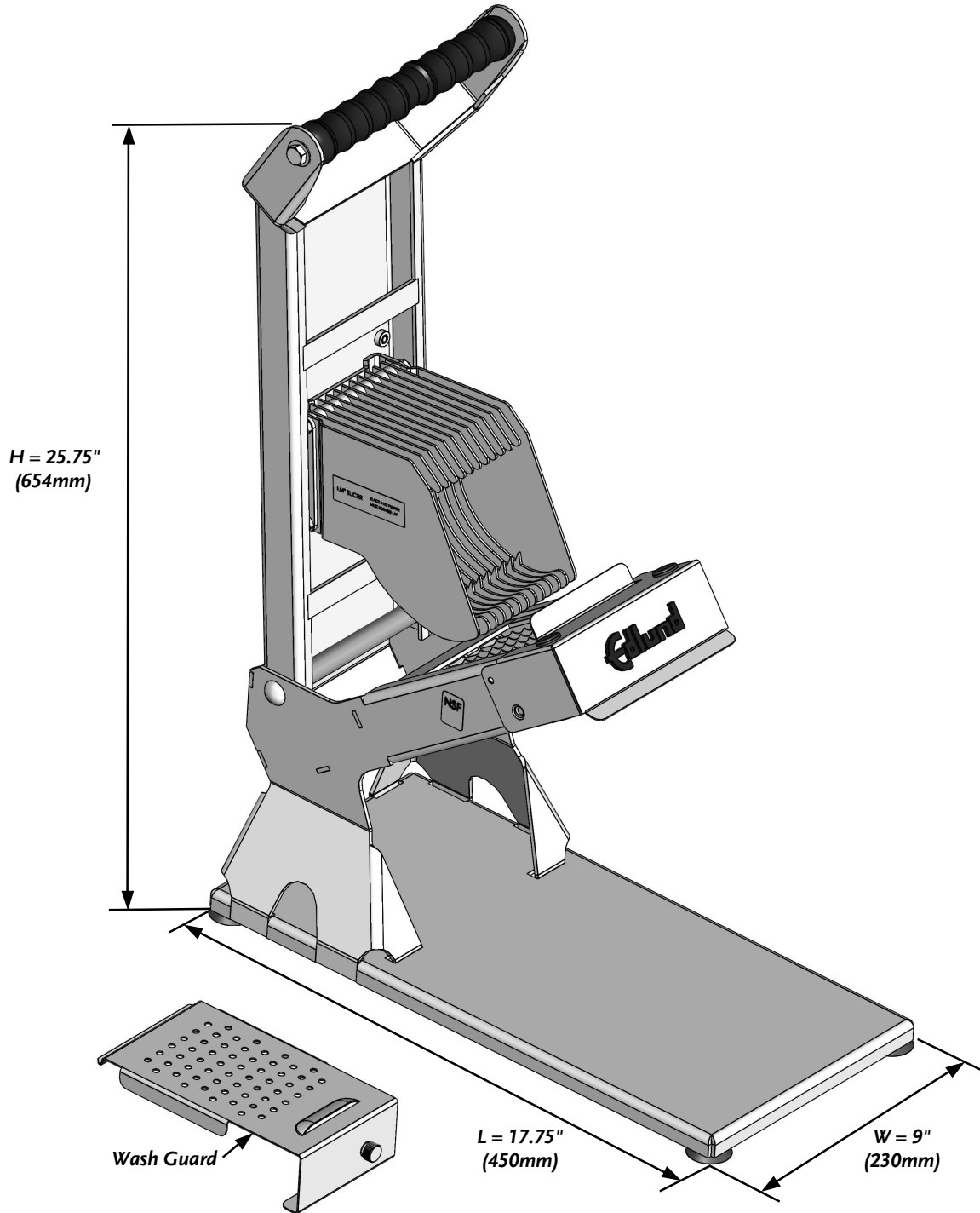


Figure 1

CHAPTER 2 - GENERAL SAFETY RULES

⚠ WARNING

READ THIS SAFETY AND OPERATING MANUAL BEFORE YOU USE THE EDLUND TOMATO LASER. BECOME FAMILIAR WITH THE SERVICE RECOMMENDATIONS TO ENSURE THE BEST PERFORMANCE FROM YOUR SLICER.

Labels

Your Edlund ARC Slicer carries prominent labels as reminders for its proper and safe use. Shown below are copies of all the labels that appear on the equipment. Take a moment to study them and make a note of their location on your Edlund ARC Slicer *before* you operate the Slicer. Replace damaged or missing safety and information labels immediately.



Warning #L316



Read Manual #L228



Cut Hazard #L229

Operating the Slicer Safely

⚠ WARNING

YOU MUST OPERATE THE SLICER SAFELY. UNSAFE OPERATION MAY RESULT IN A NUMBER OF HAZARDOUS CONDITIONS. THIS SLICER CAN CUT, AND SEVER PARTS OF YOUR BODY IF THEY BECOME CAUGHT BETWEEN THE BLADES AND THE PRODUCT BEING SLICED. ALWAYS TAKE THE FOLLOWING PRECAUTIONS WHEN USING THIS SLICER:

- NEVER ALLOW PEOPLE WHO ARE UNFAMILIAR WITH THESE INSTRUCTIONS TO USE THE SLICER.
- NEVER ALLOW CHILDREN TO OPERATE THE SLICER.
- ALWAYS OPERATE THE SLICER FROM DIRECTLY IN FRONT OF THE SLICER WITH THE END CAP CLOSED.
- ALWAYS OPERATE THE SLICER WITH BOTH HANDS ON THE SLICER HANDLE.
- ALWAYS USE THE WASH GUARD TO REMOVE, REPLACE, INSTALL, AND DURING WASHING OF THE BLADE CARTRIDGE.
- IN CASE OF JAMMED PRODUCE IN THE BLADES AREA, USE EXTREME CAUTION WHEN DISLODGING.
- DO NOT ATTEMPT TO REMOVE JAMMED PRODUCE WITH BARE HAND. USE A KNIFE FROM THE BOTTOM SIDE TO SLICE PRODUCE ALONG THE BLADES, AND THEN USE THE KNIFE TO PUSH THE PRODUCE THROUGH THE BLADE AREA FROM THE TOP.
- WE RECOMMEND WEARING PROTECTIVE GOGGLES OR SAFETY GLASSES WITH SIDE SHIELDS WHILE SLICING PRODUCT TO PROTECT YOUR EYES FROM POSSIBLE SPLASHING OF LIQUID FROM THE PRODUCT.
- DO NOT, UNDER ANY CONDITIONS, REMOVE, BEND, CUT, FIT, WELD, OR OTHERWISE ALTER STANDARD PARTS ON THE EDLUND ARC SLICER. MODIFICATIONS TO YOUR SLICER COULD CAUSE PERSONAL INJURIES AND WILL VOID YOUR WARRANTY.
- CHECK THE BLADES FOR WEAR, CRACKS, DENTS AND BENDS.
- DO NOT OPERATE THE SLICER WHEN UNDER THE INFLUENCE OF ALCOHOL, DRUGS, OR MEDICATION.
- INSPECT THE SLICER BEFORE AND AFTER OPERATING EACH DAY OR SHIFT AND AFTER ANY CHANGE OR ADJUSTMENT FOR:
 - ⇒ LOOSE SCREWS,
 - ⇒ ALL COVERS AND GUARDS ARE IN PLACE,
 - ⇒ DAMAGED OR WORN PARTS,
 - ⇒ BENT BLADES & PUSHERS,
 - ⇒ DAMAGED OR LOOSE BLADES,
 - ⇒ NO BROKEN WELDS AND,
 - ⇒ ASSURE THAT THE SLICER HAS RECEIVED A THOROUGH CLEANING.

Tip: Reference page 11 for Troubleshooting tips.

No list of Warnings and Cautions can be all-inclusive. If situations occur that are not covered by this manual, the operator must apply common sense and operate this Slicer in a safe manner.

Additional Information and Potential Changes

The Edlund Company reserves the right to discontinue, change, and improve its products at any time without notice or obligation to the purchaser. The descriptions and specifications contained in this manual were in effect at printing. Equipment described within this manual may be optional. Some illustrations may not be applicable to your Slicer.

CHAPTER 3 - OPERATING YOUR EDLUND ARC SLICER

This chapter covers the procedures for operating your new Edlund ARC Slicer and discusses basic operation features. You may find it helpful to review the Features in **Figure 2** on page 6.

Using the Edlund ARC Slicer

1. Your Slicer has been configured to one of the following sizes: 3/16" (5mm), 1/4" (6.5mm) or 3/8" (10mm). Verify the Blades and Pusher match by checking the size stamp on both.

⚠ WARNING

USE CAUTION WHEN HANDLING THE BLADE CARTRIDGE, THE BLADES ARE VERY SHARP. ALWAYS HAVE THE WASH GUARD ATTACHED TO THE BLADE CARTRIDGE WHEN HANDLING.

2. Lift the Handle Arm to its full open position.
3. Open the Cartridge Retainer (**Figure 2** on page 6) by rotating it up, orient the selected Blade Cartridge with the Wash Guard facing up and the Thumb Screw facing out then slide it into the Slicer.
4. Make sure the Blade Cartridge Alignment Holes (**Figure 2** on page 6) are fully seated on the Alignment Pins in the Housing.
5. Remove the Wash Guard from the Blade Cartridge by unscrewing the Thumb Screw counterclockwise on the Wash Guard (**Figure 2** on page 6) and pull the Guard away from the Housing.
6. Close the End Cap.

NOTE: *The Cartridge Retainer will not close until the Blade Cartridge is fully seated into the Slicer. Do not operate the Slicer without the Cartridge Retainer fully closed.*

7. Place a container at the front of the Slicer beneath the Blades to receive the sliced product.
8. Place the product to be sliced in the Pusher Fingers Hopper. Press the product onto the Retainer Spikes inside the Hopper to secure in place (**Figure 2** on page 6).
9. With both hands on the Handle, pull the Handle Arm (Pusher Fingers Assembly) all the way down. The product slices will fall into the container.
10. Place more product in the Slicer and repeat as required.

NOTE: *Experience will dictate how fast you should lower the Pusher Assembly with a continuous fluid motion.*

Changing Between Slice Sizes

1. If a Blade Cartridge and Pusher are already mounted on the slicer, remove them following the "**Cleaning and Inspection**" instructions (Chapter 4).
2. Verify the slice size of the desired Blade Cartridge and Pusher match.
3. Install the Pusher by aligning the three pins on the Slicer's Handle Arm with the holes on the rear of the Pusher. Screw the Rear Knob clockwise into the center threaded hole on the rear of the Pusher to secure it in place.
4. Install the Blade Cartridge by following the "**Using the Edlund ARC Slicer**" instructions above.
5. Check the clearance between the Pusher Fingers and the Blades: the Pusher Fingers should be spaced evenly between the Blades. Refer to the **Troubleshooting** section (Chapter 5) for instruction on how to adjust the Pusher Assembly Fingers.

Edlund ARC Slicer Features

NOTE: The model shown in Figure 2 may look slightly different from your Slicer.



Figure 2

CHAPTER 4 - MAINTAINING THE EDLUND ARC SLICER

This chapter covers regular maintenance procedures that will ensure the best performance and long life of your Slicer. You should always clean the Slicer after every use.

WARNING

USE CAUTION WHEN HANDLING THE BLADE CARTRIDGE, THE BLADES ARE VERY SHARP. ALWAYS HAVE THE WASH GUARD ATTACHED TO THE BLADE CARTRIDGE WHEN HANDLING.

Cleaning and Inspection

6. Lift the Handle Arm to its full up right position (**Figure 2** on page 6).
7. Open the Cartridge Retainer(**Figure 2** on page 6) by rotating it up.
8. Install the Wash Guard by sliding it over the Blade Cartridge (**Figure 2** on page 6).
9. Align the Thumb Screw on the Wash Guard (**Figure 2** on page 6) with the Threaded Hole on the right side of the Blade Cartridge and turn the Knob clockwise until the Guard is secured to the Cartridge.
10. Slide the Blade Assembly out of the Slicer.
11. Remove the Pusher Assembly by unscrewing the Rear Knob on the back of the Handle Arm (**Figure 2** on page 6).

NOTE: *The Pusher Assembly is heavy; use caution when disconnecting it from the Handle Arm by holding the Pusher Assembly with your other hand. Be careful not to drop the pusher assembly or bend the pusher fingers.*

12. Wash the Pusher Fingers Assembly and Blade Cartridge in a dishwasher if desired to clean & sanitize. The components of the Edlund ARC Slicer are completely dishwasher safe. Or, you can wash the components in soap and water.
13. After washing, inspect the Blades for nicks, bends and other damage. If damaged, replace or return to Edlund for repair.

NOTE: *Do not allow product waste to remain on the Slicer. Dried waste deposits are unsanitary and may affect the operation of the Slicer.*

Blade and Pusher Maintenance

1. Examine the Pusher Assembly Fingers. If they are nicked or burred, smooth the rough edges with a small flat file. The spaces between the Fingers must be uniform. Carefully straighten any bent Fingers using pliers.
2. Check the clearance between the Pusher Assembly Fingers and the Blades. Make sure they do not rest on or touch the Blades at any point during the Pusher travel. If there is contact, carefully adjust the Pusher Fingers by using the supplied Adjustment Tool. Position the notched end of the Adjustment tool against the Finger spacers and bend the Finger in the direction away from the interfering blade. The Adjustment Tool has position indicators for 3/16" and 1/4" spacing. To check the Pusher Finger spacing, align the Fingers to the valley of the notches, indicated by the circles for the corresponding spacing.

Replacing the Blade Assembly

Individual Blades cannot be replaced. Replace the entire Blade Assembly or send the Cartridge to Edlund for repair.

CHAPTER 5 – TROUBLESHOOTING

Consult the Troubleshooting Table below for common problems and their solutions. If you continue to experience problems, call our Technical Support Representatives at **1-800-772-2126**.

Troubleshooting Table

⚠ WARNING

USE CAUTION WHEN HANDLING THE BLADE CARTRIDGE, THE BLADES ARE VERY SHARP. ALWAYS HAVE THE WASH GUARD ATTACHED TO THE BLADE CARTRIDGE WHEN HANDLING.

<i>SYMPTOM</i>	<i>POSSIBLE CAUSE</i>
<i>The End Cap will not close.</i>	<ul style="list-style-type: none"> ⇒ Make sure the Blade Cartridge is fully inserted into the Slicer Frame and the Alignment Pins are engaged. ⇒ Make sure Blade Cartridge is inserted in the correct orientation (with the Alignment Holes inward and the Wash Guard facing up). ⇒ Debris may be jammed in the Latch area. Remove any debris and clean the Latch area. ⇒ The End Cap is bent out of shape; replace the End Cap.
<i>The Pusher Assembly Fingers hit the Blades.</i>	<ul style="list-style-type: none"> ⇒ Make sure the Blade Cartridge Assembly hardware is tight. ⇒ The Pusher Assembly and the Blade Cartridge do not match. Insert the correct matching Blade Cartridge. See page 7. ⇒ The Blades are bent out of shape; replace the Blade Cartridge. ⇒ The Pusher Assembly Fingers are bent out of shape; straighten the Fingers or replace the Pusher Assembly. See page 7. ⇒ If clearance between the Pusher Assembly Fingers and the Blades cannot be achieved, contact Edlund Customer Service for further instruction on how to adjust the Pusher Assembly.

THIS PAGE INTENTIONALLY LEFT BLANK

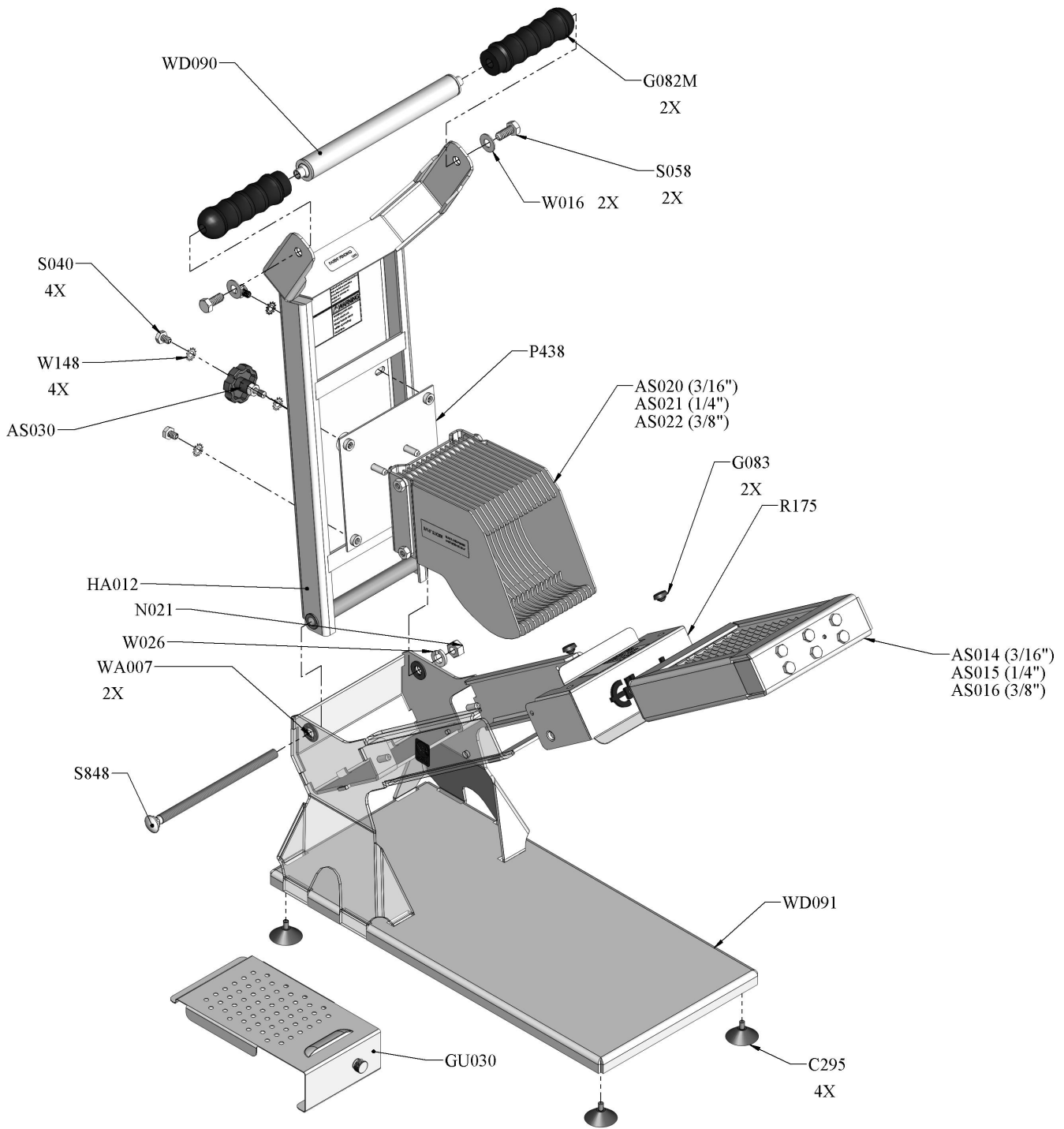
CHAPTER 6 - PARTS LISTS, DIAGRAMS, AND WARRANTY

Parts List - Edlund ARC Slicer, Models ARC-136, -125, & -138

NOTE: Part numbers listed are available through the Edlund Company or authorized parts supplier.

Part#	Description
G082M	Grip, Plastic, Blue, Modified
S040	Screw, 1/4-20 x 3/8", S/S, Hex Head
W148	Washer, 1/4-20, External-Tooth Lock
AS030	Screw, Quick Change, 1/4-20
WA007	Washer, Flat, Nylon, 3/8" ID
S848	Screw, 3/8-16, S/S, Carriage
N021	Nut, 3/8-16, S/S, Hex
C295	Feet, Suction Cup
WD091	Frame, Weldment
R175	Retainer, Cartridge
AS014	Assembly, Blade Cartridge, 3/16"
AS015	Assembly, Blade Cartridge, 1/4"
AS016	Assembly, Blade Cartridge, 3/8"
G083	Grommet, Slicer Stopper, Rubber
GU030	Guard, Wash
AS020	Assembly, Pusher Fingers, 3/16"
AS021	Assembly, Pusher Fingers, 1/4"
AS022	Assembly, Pusher Fingers, 3/8"
P438	Plate, Pusher Alignment
HA012	Handle
W016	Washer, 5/16", S/S, Flat
S058	Screw, 5/16-18 x 3/4", S/S, Hex Head
RT004	ARC Adjustment Tool

Exploded View - Edlund ARC Slicer, Models ARC-136, -125, & -138



130407



ARC SLICER, Models ARC-136, -125, & -138

WARRANTY:

All Edlund products are guaranteed against defects in material and workmanship for a period of one year from date of purchase, except where specifically noted. The company's obligation under this warranty is limited to repairing or replacing without charge any part or parts found to be defective **under normal use**. It is the responsibility of the purchaser to return the entire unit to the factory, **properly packed, transportation charges prepaid**. This warranty does not cover knives and gears on can openers. No other warranty, written or verbal, is authorized by the company. Warranty charges do not include state, federal, foreign, excise, municipal, or other sales or use taxes. All such taxes are the responsibility of the purchaser.

Carrier is responsible for merchandise in transit to you.

Edlund Company reserves the right to make changes in design or add any improvements on any product. The right is always reserved to modify our equipment because of factors beyond our control and government regulations. Charges to update equipment do not constitute a warranty charge.

The following are not covered under warranty:

1. failure from neglect, abuse, careless handling or mis-application of unit.
2. failure caused by improper maintenance.

Return products to: Edlund Company LLC, Service Department
159 Industrial Parkway, Burlington, VT 05401, USA



Phone: (800) 772-2126 & (802) 862-9661 • Fax: (802) 862-4822

Edlund Company LLC

159 INDUSTRIAL PARKWAY, BURLINGTON, VERMONT 05401

1-800-772-2126 • www.edlundco.com

©2013 Edlund Co. LLC, M178 REV.B