

## AZZURI GRANDE

### FULLY AUTOMATIC BEAN TO CUP COFFEE MACHINE

INDUSTRY LEADING EQUIPMENT



A stylised bean to cup coffee machine for use with fresh beans and fresh milk to produce a variety of **premium hot drink options**



#### SCREEN DISPLAY

Screen display allows for easy selection



#### DIGITAL CONTROL AND DISPLAY

Microprocessor control provides access to system settings and additional functions. Digital interface displays critical info on system status,



#### SERVING SIZE

Intelligent one touch sizing options ranging from 15ml to 240ml



#### LARGE HOPPER

1000g bean hopper to cater for small and large events.



#### DUAL OUTPUT

Dual delivery allows for catering for high capacity conference and events.. Offering 2 same coffee options at the same time



#### MILK SYSTEM

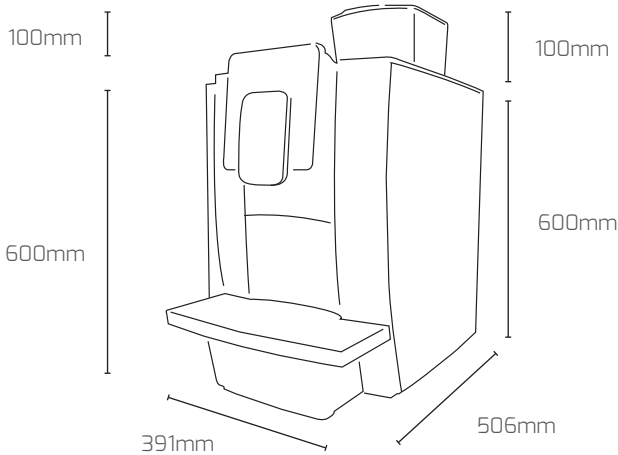
Coffee and milk/foam can be made simultaneously for high efficiency.

HIGH END **DUAL AUTOMATIC BEAN TO CUP MACHINE** WITH  
VARIED DRINK OPTIONS. PLUS INTELLIGENT ONE TOUCH  
SERVING CONTROL

MAXIMISE YOUR PROFITS

# AZZURI GRANDE

## FULLY AUTOMATIC BEAN TO CUP COFFEE MACHINE



### SPECIFICATIONS

Colours	Sliver & Black
Hopper	1000g
Water tank	6L
Output Capacity	110 Cups p/d
Pump Pressure	2 x pumps, 19 Bar (Dual Thermo blocks)

### WEIGHT

Net	14 KG
-----	-------

### DIMENSIONS NET (MM)

Width	391/581 w/ chiller
Depth	506
Height	600/+100 clearance

### ELECTRICAL

AMP	FREQUENCY
13	50-60Hz
Heating Power 1400 watts	

### FEATURES

COMPUTERIZED CONTROL SYSTEM	✓
EASY AND FAST PREPARATION	✓
DISPLAYS DRINK OPTION ON SCREEN	✓
CUSTOMIZE YOUR DRINK AND YOUR DRINK OPTION	✓
CONTROL THE COFFEE STRENGTH	✓
CONTROL WATER QUANTITY	✓
INTEGRATED CLEANING AND RINSING PROGRAMS FOR EASE OF	
CLEANING AND HYGIENE	✓
PRE-BREWING SYSTEM	✓
WATER KIT OPTIONAL - TO PLUMB INTO WATER MAINS	✓
OPTIONAL MOB PROTOCOL FOR PAYMENT SYSTEM	✓
TWO THERMO-BLOCK HEATING SYSTEMS	✓