

Spare parts list BC 50 H/R

Item number: 765041140
Release date: 03.04.06
Released by: JABP
Revision date: 04.07.23
Revision no.: 018

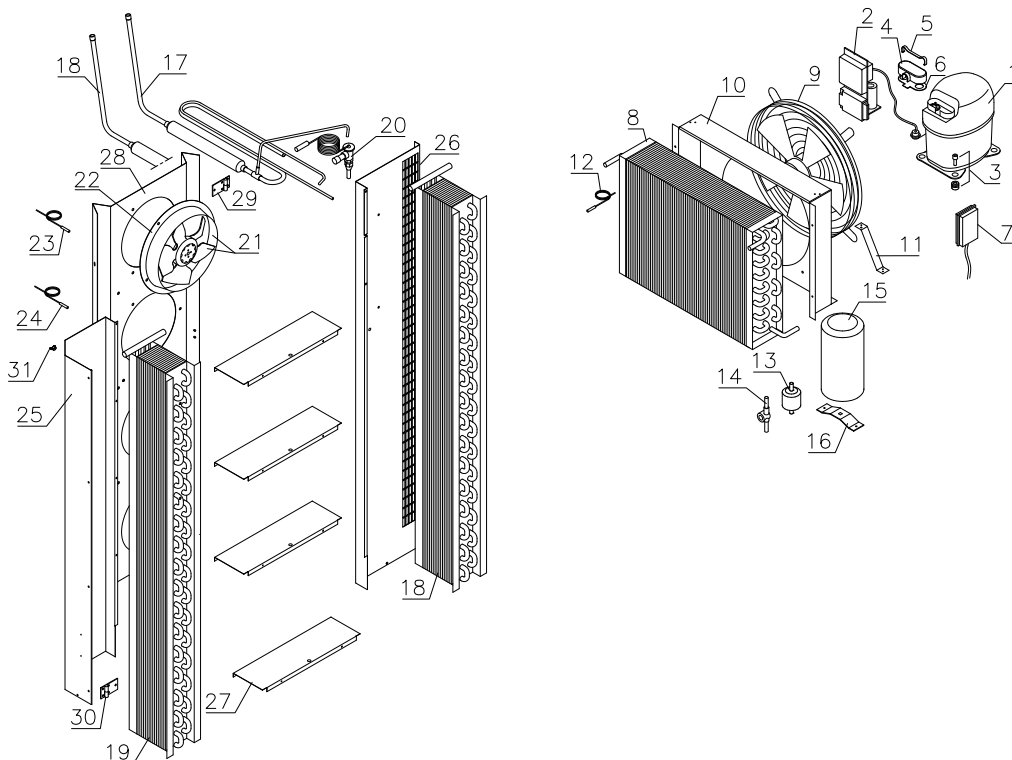
Gram Scientific ApS
Aage Grams Vej 1
6500 Vojens, Denmark

Content

Refrigeration system parts	3
Cabinet parts	5
Electrical parts	6
Door	7
Notes	8

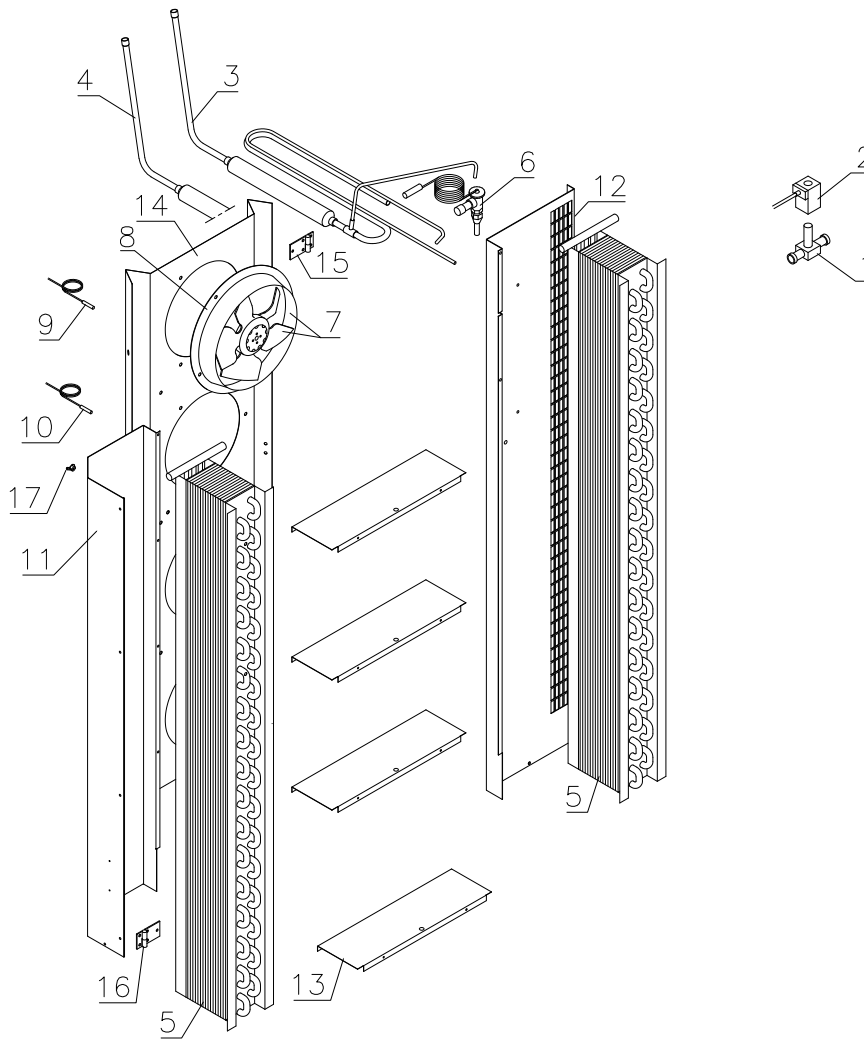
Refrigeration system parts

BC 50 H



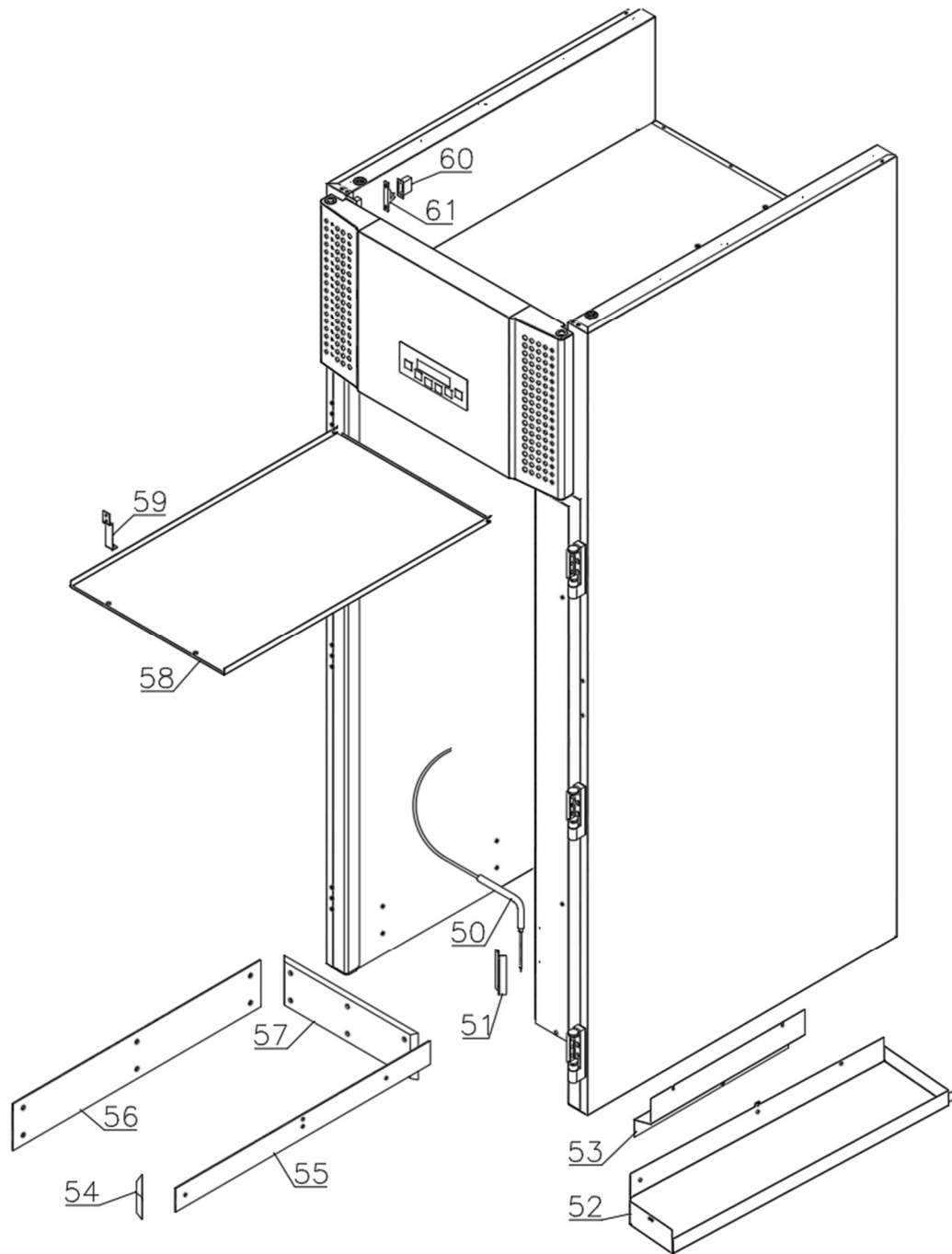
Item no.	Description	Gram part no.	Issued	Deleted
1	Compressor GS26CLX (2 off)	500550600	0507	
2	Starting device	453051005	0507	
3	Bolt joint set	765080562	0507	
4	Cover	452440281	0507	
5	Clamp	452440284	0507	
6	Gasket	452440298	0507	
7	On delay timer for compressor 2 (only used on KPS 60 CH 230V)	450200150	0507	
8	Condenser	765080372	1406	
9	Condenser fan ø350	610540031	1406	
10	Condenser cover	761257140	1406	
11	Holder for condenser cover	761257141	1406	
12	Condenser sensor	453530053	1406	
13	Filter drier	461880145	1406	
14	Sight glass SGI 6S	470410019	1406	
15	Receiver	425950061	1406	
16	Receiver holder	761257350	1406	
17	Piping assy. – rear evaporator	761257496	1406	
18	Piping assy. – front evaporator	761257497	1406	
19	Evaporator (left and right)	765080485	1406	
20	Thermostatic valve	413165022	1406	
21	Evaporator fan	610540040	1406	
22	Fan duct	761259922	1406	
23	Cabinet sensor	453530052	1406	
24	Evaporator sensor	453530053	1406	
25	Air inlet plate, front	761257756	1406	
26	Air inlet plate, rear	761257755	1406	
27	Air splitter plate	761257144	1406	
28	Fan access plate	761257752	1406	
29	Lift-off hinge right	424180020	1406	
30	Lift-off hinge left	424180021	1406	
31	Wing screw M5x12	420730001	1406	

BS 50 R



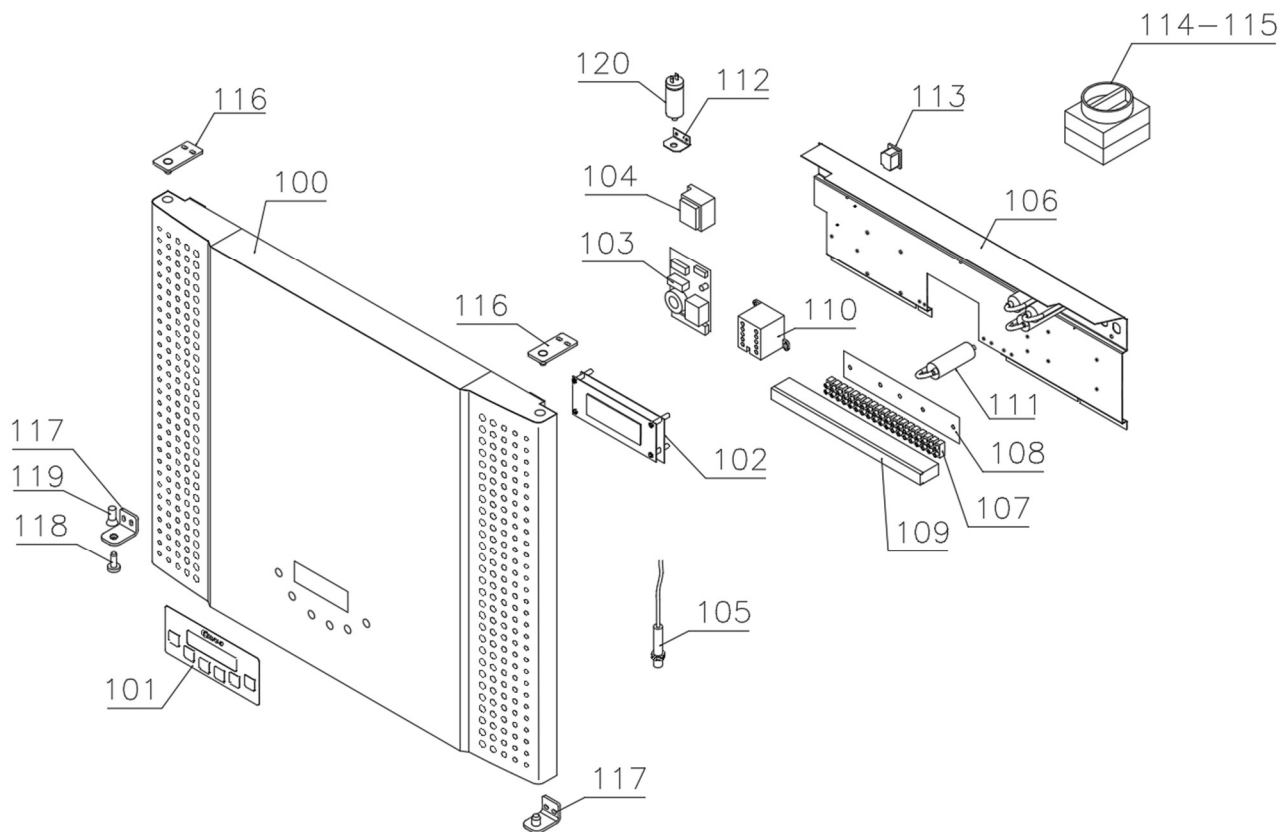
Item no.	Description	Gram part no.	Issued	Deleted
1	Solenoid valve EVR-06	410104003	1406	
2	Coil for solenoid valve	610296105	1406	
3	Piping assy. – rear evaporator	761257394	1406	
4	Piping assy. – front evaporator	761257395	1406	
5	Evaporator (left and right)	765080485	1406	
6	Thermostatic valve	413165022	1406	
7	Evaporator fan	610540040	1406	
8	Fan duct	761259922	1406	
9	Cabinet sensor	453530052	1406	
10	Evaporator sensor	453530053	1406	
11	Air inlet plate, front	761257756	1406	
12	Air inlet plate, rear	761257755	1406	
13	Air splitter plate	761257144	1406	
14	Fan access plate	761257752	1406	
15	Lift-off hinge right	424180020	1406	
16	Lift-off hinge left	424180021	1406	
17	Wing screw M5x12	420730001	1406	

Cabinet parts



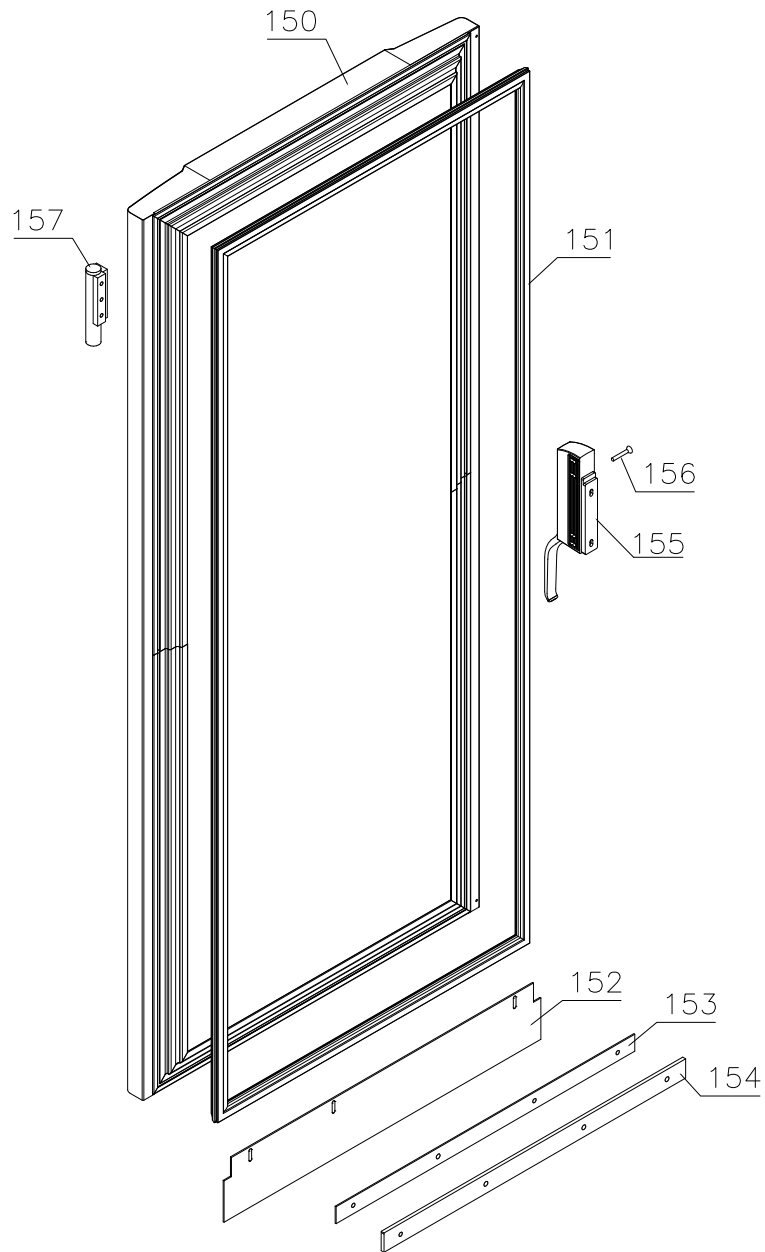
Item no.	Description	Gram part no.	Issued	Deleted
50	Probe sensor	760605121	1406	
51	Sensor holder	761271287	1406	
52	Drip water tray	761257759	1406	
53	Cover plate	761257754	1406	
54	Buffer rail, front	761257305	1406	
55	Buffer rail, right	761257307	1406	
56	Buffer rail, left	761257316	1406	
57	Buffer rail, rear	761257312	1406	
58	Cover plate for top section	761257411	1406	
59	Cover plate holder	761253491	1406	
60	Front panel close latch	761253307	1406	
61	Front panel close keeper	761253301	1406	

Electrical parts



Item no.	Description	Gram part no.	Issued	Deleted
100	Control panel, CH	761258168	0507	
100	Control panel, CF	761258169	0507	
101	Label for control panel	761257489	1406	
102	Electronic controller unit	453580119	1406	
103	Fan speed controller	453580120	1406	
104	Trafo	451181002	1406	
105	Door switch	450400113	1406	
106	Mounting plate	761257779	1406	
107	Terminal board	451580018	1406	
108	Film for terminal board	765041133	1406	
109	Cable duct	454100005	1406	
110	Contactora b6-30-01	450241001	1406	
111	Run capacitor 2 μ F for evaporator fans	451723503	1406	
112	Bracket for capacitor	761252543	1406	
113	Appliance inlet	451022002	1406	
114	Safety switch, 3-pole	450681618	1406	
115	Screwed cable entry PG16	451113103	1406	
116	Bracket for contr. panel, top	761258926	1406	
117	Bracket for contr. panel, bottom	762250224	1406	
118	Locking screw	420168207	1406	
119	Riv-nut M5	422390020	1406	
120	Run capacitor 3 μ F for condenser fan	451723505	1406	

Door



Item no.	Description	Gram part no.	Issued	Deleted
150	Door complete	761251314	2119	
151	Gasket	761259241	2119	
152	Drag strip	761257602	2119	
153	Fixing strip	761257612	2119	
154	Distance rail	761257611	2119	
155	Handle complete	761257965	2119	
156	Screw M5x50	420178001	2119	
157	Hinge, right/left	424180051	2119	

Notes
