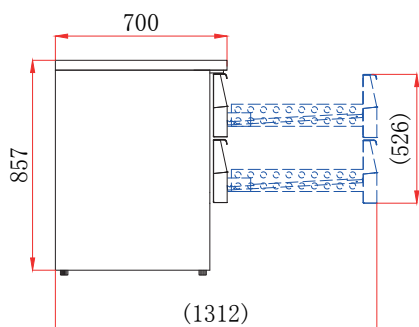
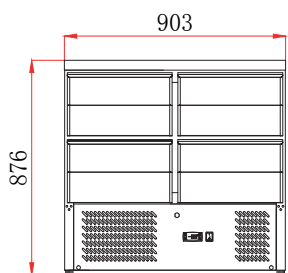


Compact Gastronorm Counters

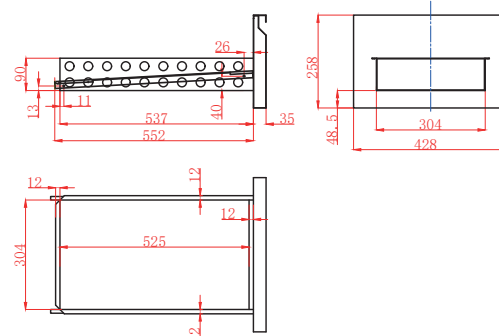
700mm Depth With drawers

BCC2-4D

BCC3-6D



Drawer size



FEATURES

- High grade AISI 304 stainless steel exterior & interior
- Internal corners rounded to aid cleaning
- 1 x adjustable GN1/1 shelf per door
- Drawers accept GN1/1 containers
- Adjustable feet
- Replaceable door gasket
- 35mm insulation
- Easily removable condenser filter for cleaning

TECHNICAL SPECIFICATIONS

- Controller: Dixell controller
- Cooling: Fan assisted
- Defrost: Automatic
- Refrigerant: R600a (BCC2-4D)
R290 (BCC3-6D)
- Climate Class: 4
- Temperature Range: +2°C ~ +8°C
- Decibels: 42dBA
- Power Supply: 13amp

MODEL	DRAWER	GROSS CAPACITY	EXT. DIMENSIONS (H x W x D mm)	ENERGY RATING	POWER CONSUMPTION	KWH /ANNUM	WEIGHT (kg)	RRP
BCC2-4D	4	240L	876 x 903 x 700	C	170W	991	114	
BCC3-6D	6	368L	876 x 1368 x 700	D	240W	1432	140	



See page 336 for full GN container range

