

# Compact Gastronorm Counters

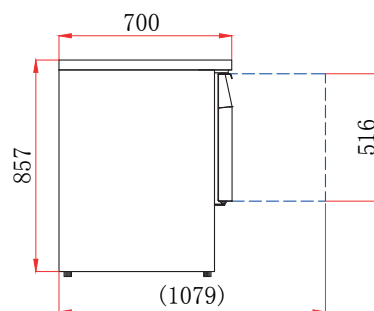
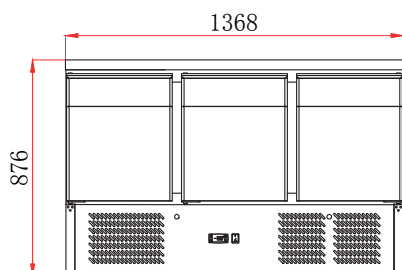
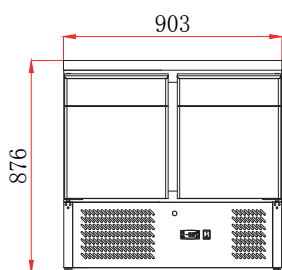
700mm Depth



**BCC2**



**BCC3**



## FEATURES

- High grade AISI 304 stainless steel exterior & interior
- Internal corners rounded to aid cleaning
- 1 x adjustable GN1/1 shelf per door
- Adjustable feet
- Replaceable door gasket
- 35mm insulation
- Easily removable condenser filter for cleaning

## TECHNICAL SPECIFICATIONS

- Controller: Dixell controller
- Cooling: Fan assisted
- Defrost: Automatic
- Refrigerant: R600a (BCC2)  
R290 (BCC3)
- Climate Class: 4
- Temperature Range: +2°C ~ +8°C
- Power Supply: 13amp

MODEL	DOOR	GROSS CAPACITY	EXT. DIMENSIONS (H x W x D mm)	ENERGY RATING	POWER CONSUMPTION	KWH /ANNUM	DECIBELS	WEIGHT (kg)	RRP
BCC2	2	240L	876 x 903 x 700	C	170W	991	42dBA	100	
BCC3	3	368L	876 x 1368 x 700	D	240W	1432	42dBA	132	



See page 336 for full GN container range

