



FOOD MIXER BE-30C 230/50-60/1

Floorstanding unit with 30 lt./ 30 qt. bowl.



1500281



DYNAMIC PREPARATION
PLANETARY MIXERS

ACCESSORIES

- Vegetable preparation attachment CR-143
- Meat mincer attachment HM-71
- Potato masher attachment
- P-132
- Bowls for planetary mixers
- Reduction equipments
- Bowl transport trolleys
- Base kit with wheels

SPECIFICATIONS

Bowl capacity: 30 l
 Bowl dimensions: 380 mm x 340 mm
 Capacity in flour (60% water): 9 Kg
 Timer (min-max): 0' - 30'
 Tool speed: 87-378 rpm
 Planetary speed: 39-168 rpm
 Total loading: 1100 W
 Electrical supply: 230 V / 50-60 Hz / 1 ~ (-- A)
 Plug : EU (SCHUKO 2P+G)
 Electrical connection: --

External dimensions (WxDxH)

- ✓ Width: 528 mm
- ✓ Depth: 764 mm
- ✓ Height: 1152 mm
- Net weight: 105 Kg
- Noise level (1m.): <75 dB(A)
- Background noise: 32 dB(A)

Crated dimensions

830 x 600 x 1200 mm
 Gross weight: 104 Kg

SALES DESCRIPTION

“C” models, equipped with attachment drive for accessories.
 “I” models with stainless steel column.

Professional food mixer for preparing dough (bread, cake...), egg whites (soufflés, meringue...), sauces (mayonnaise...) and minced meat mixtures.

- ✓ Powerful three-phase motor controlled by highly reliable electronic speed variator technology, which enables the mixers to be connected to a single-phase electrical mains supply.
- ✓ 0-30 minute electronic timer and continuous operation option.
- ✓ Acoustic alarm at end of cycle.
- ✓ Electronic speed control.
- ✓ Equipped with a safety guard.
- ✓ Lever operated bowl lift.
- ✓ Double micro switch for bowl position and safety guard.
- ✓ Safeties off indicator.
- ✓ Reinforced waterproofing system.
- ✓ Stainless steel legs.
- ✓ Strong and resistant bowl.
- ✓ Easy to maintain and repair. UNE-EN 454/2015 compliant.

INCLUDES

- ✓ Stainless steel bowl.
- ✓ Spiral hook for heavy dough.
- ✓ Beater spatula for soft dough.
- ✓ Balloon whisk.

OPTIONAL

- Attachment drive for accessories.
- Stainless steel column.
- 10-litre/10qt. reduction equipment (bowl + tools).
- Bowl transport trolley.
- Base kit with wheels for ease of moving and storing the mixer.



product sheet
updated 06/06/2023



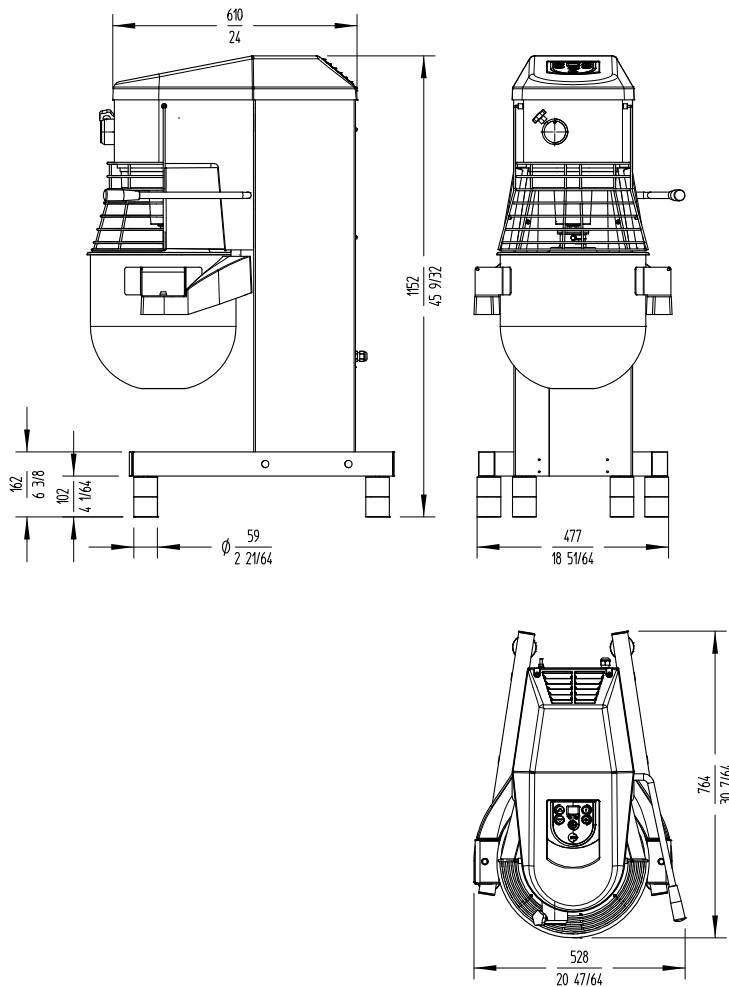
FOOD MIXER BE-30C 230/50-60/1

Floorstanding unit with 30 lt./ 30 qt. bowl.



1500281

DYNAMIC PREPARATION
PLANETARY MIXERS




www.sammic.co.uk
Food Service Equipment Manufacturer
 Unit 2, Trevanth Road
 Troon Industrial Park
 LE4 9LS - Leicester
 uksales@sammic.com
 Tel.: +44 0116 246 1900



| | |
|----------|------|
| Project | Date |
| Item | Qty |
| Approved | |

product sheet
updated 06/06/2023