



PLANETARY MIXER BM-5E

Table-top model with 5-lt / qt. bowl.



INCLUDES

- ✓ Stainless steel bowl.
- ✓ Beater spatula for soft dough.
- ✓ Spiral hook for heavy dough.
- ✓ Balloon whisk.

SALES DESCRIPTION

Designed for light duty use.

DYNAMIC PREPARATION
PLANETARY MIXERS



www.sammic.co.uk

Food Service Equipment Manufacturer
 Unit 2, Trevanth Road
 Troon Industrial Park
 LE4 9LS - Leicester
uksales@sammic.com
 Tel.: +44 0116 246 1900



Project	Date
Item	Qty
Approved	

product sheet
updated 06/03/2018



PLANETARY MIXER BM-5E

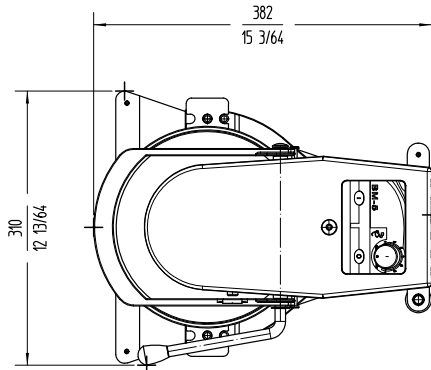
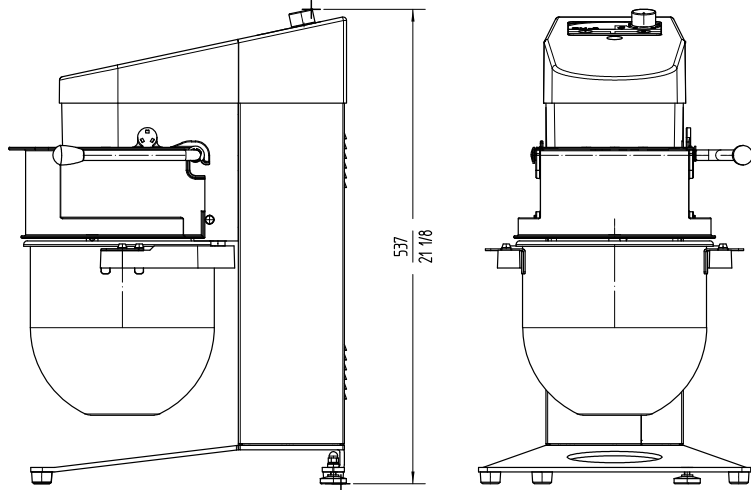
Table-top model with 5-lt / qt. bowl.



SPECIFICATIONS

- Bowl capacity: 5 l
- Capacity in flour (60% water): 1 Kg
- Total loading: 300 W
- External dimensions (WxDxH)**
 - ✓ Width: 310 mm
 - ✓ Depth: 382 mm
 - ✓ Height: 537 mm
- Net weight: 13.7 Kg
- Noise level (1m.): <80 dB(A)
- Background noise: 45 dB(A)

- Crated dimensions**
- 360 x 430 x 565 mm
- Gross weight: 17 Kg.



AVAILABLE MODELS

1500180 Food mixer BM-5E 230/50-60/1

* Ask for special versions availability

ACCESSORIES

- Bowls for planetary mixers

DYNAMIC PREPARATION
PLANETARY MIXERS



www.sammic.co.uk
 Food Service Equipment Manufacturer
 Unit 2, Trevanah Road
 Troon Industrial Park
 LE4 9LS - Leicester
 uksales@sammic.com
 Tel.: +44 0116 246 1900



Project	Date
Item	Qty
Approved	

product sheet
updated 06/03/2018