



C352

PARTS BOOK

From S/N: 2960409

January.2019

REF:918365

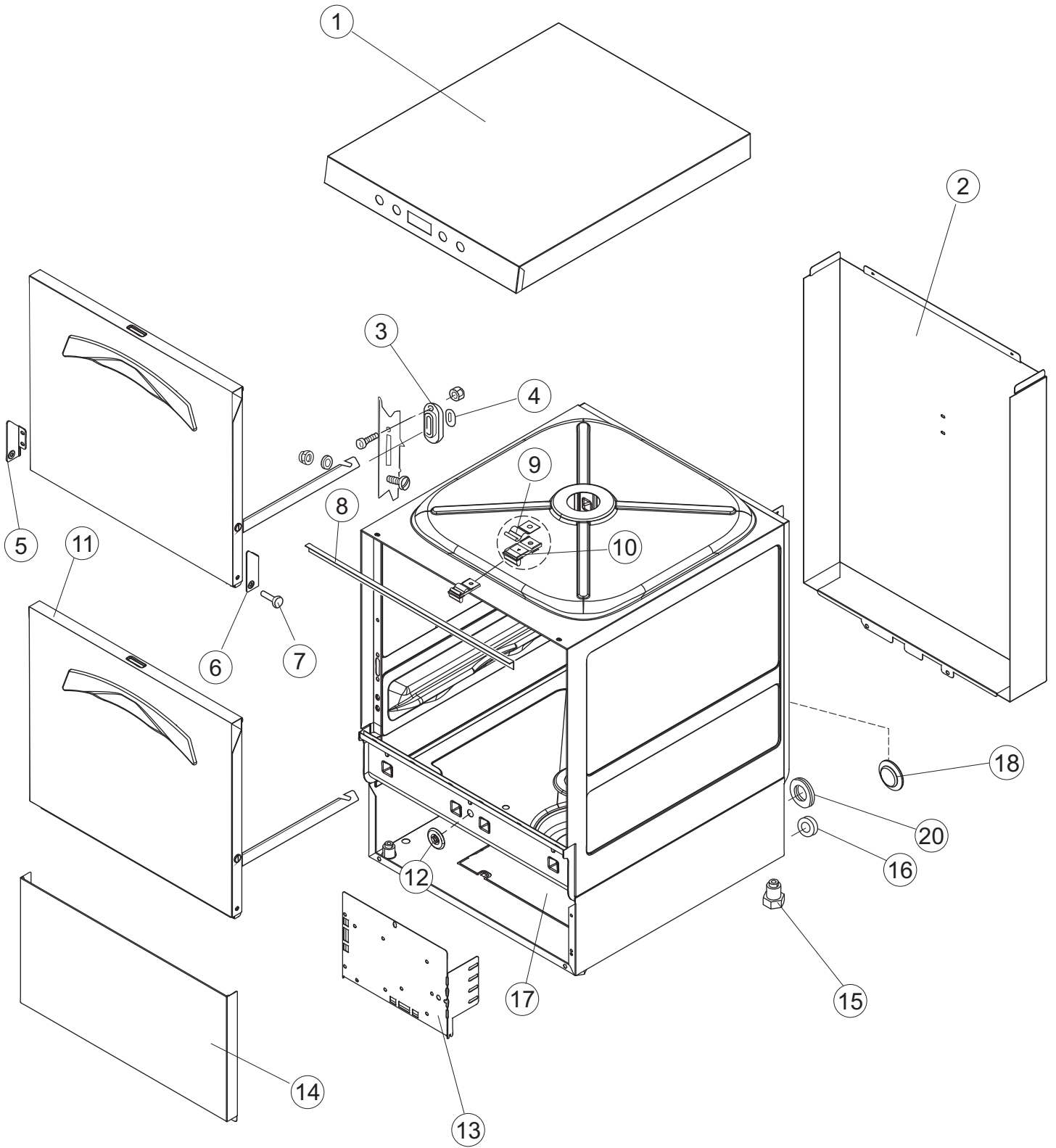
All spares available from



The Engine Shed
Top Station Road
Brackley
NN13 7UG
Tel: 0845 1308060
Fax: 01280 845345
Web: www.caterparts.com

Copyright Notice: All rights reserved. No parts of this manual may be reproduced in any form without express written permission of Maidaid-Halcyon (A trading name of Buttress Group Ltd)

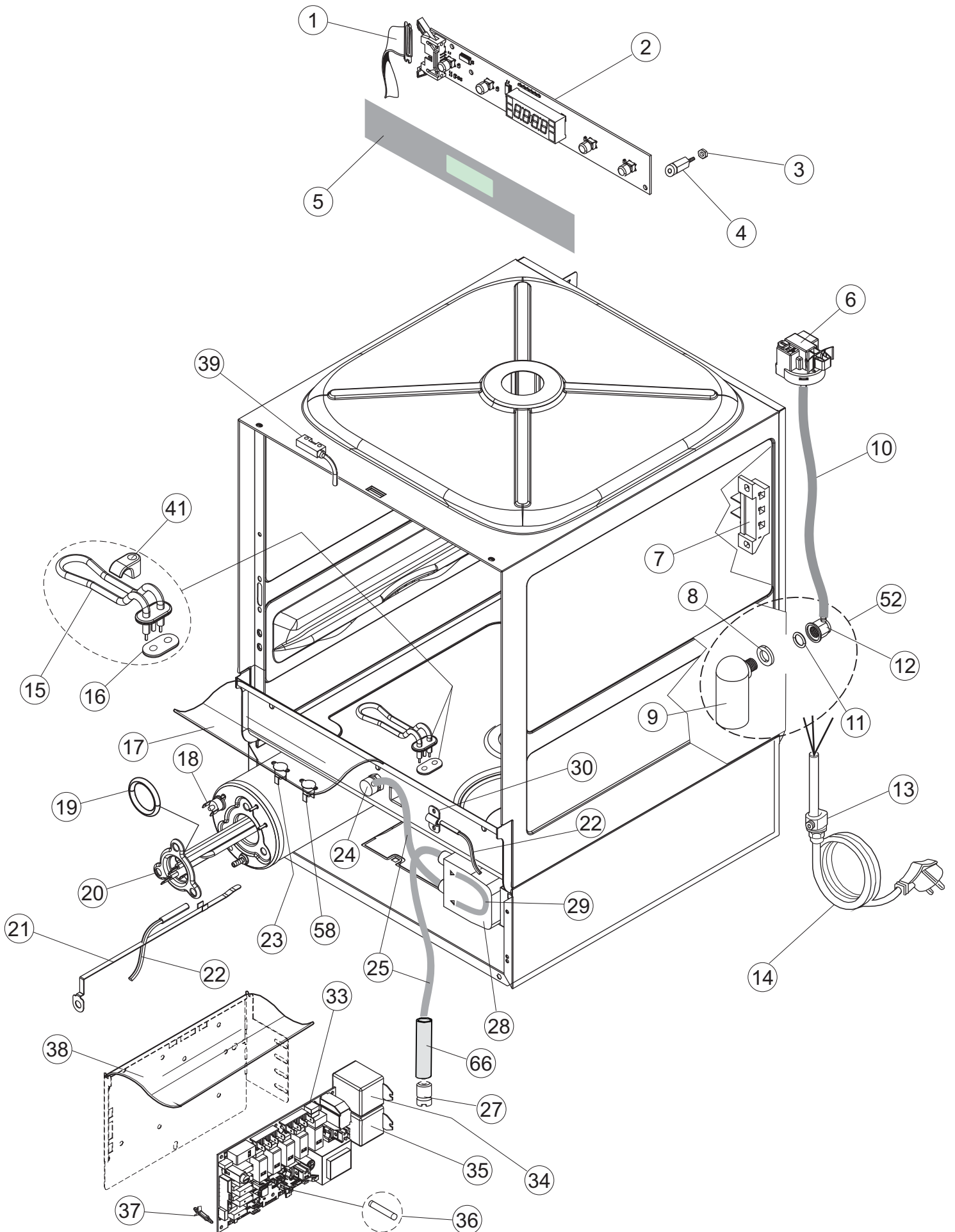
1



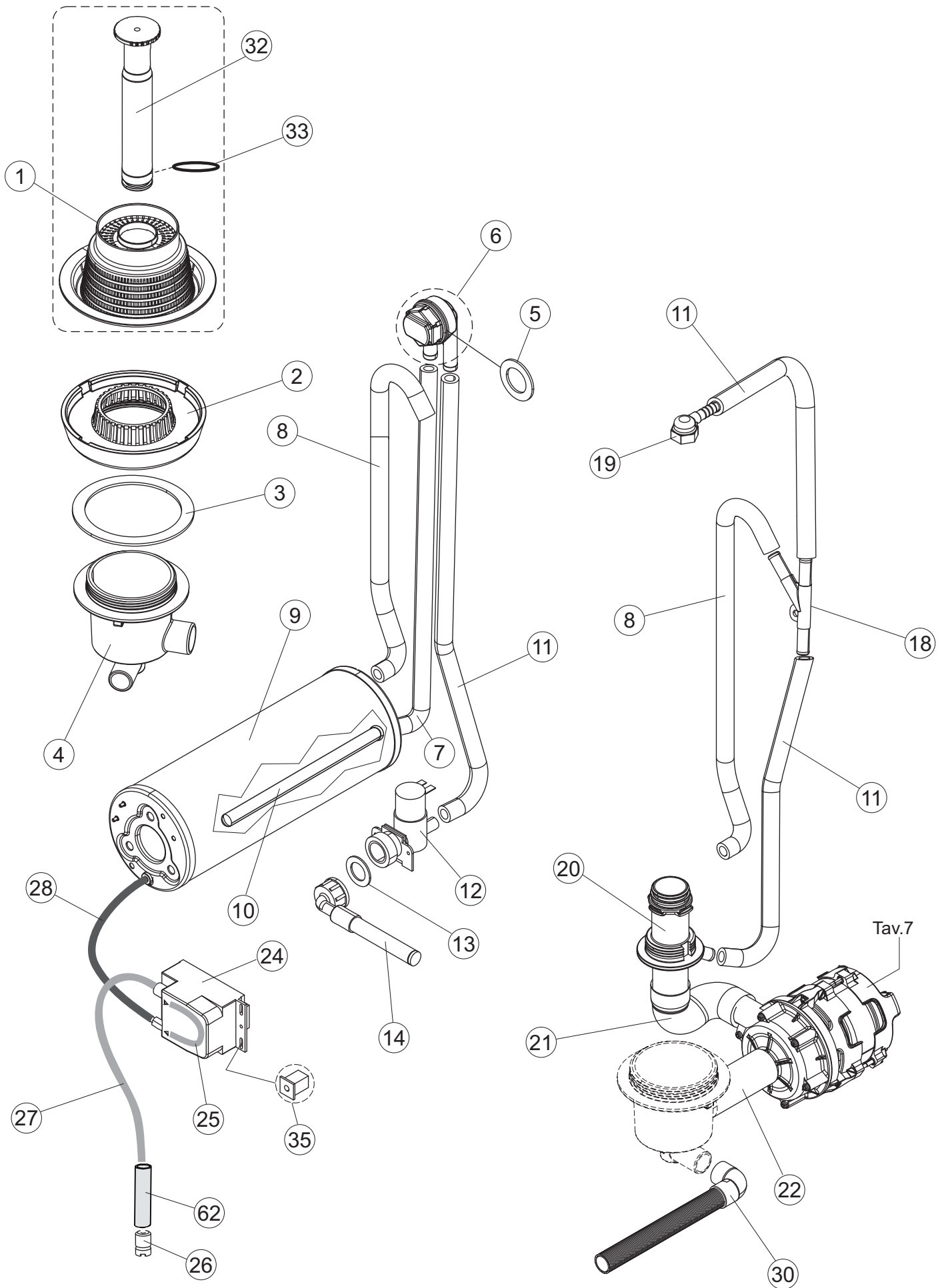
PAGE 1

Ref	Description	Code
1	TOP PANEL	MH106050
2	REAR PANEL	MH105958
3	Door Guide	MH100423
4	Insert For Door Stay Guide	MH100388
5	Door Hinge - Left Hand	MH100341
6	Door Hinge - Right Hand	MH100342
7	Pin For Door Hinge	MH100432
8	Door Seal	MH100343
9	Door Lock Spring	MH100345
10	Bracket For Door Lock Spring	MH100346
11	DOOR	MH106051
12	Plug For Detergent Injector Hole	MH105176
13	PCB Mounting Panel	MH105963
14	Lower Front Panel	MH105960
15	Plastic Foot	MH105961
16	Cable Gland	MH100347
17	Base Access Panel	MH105964
18	Washtank Bung - 22mm	MH100964
20	Cable Grommet	MH104426
21	TOP PANEL	MH106050

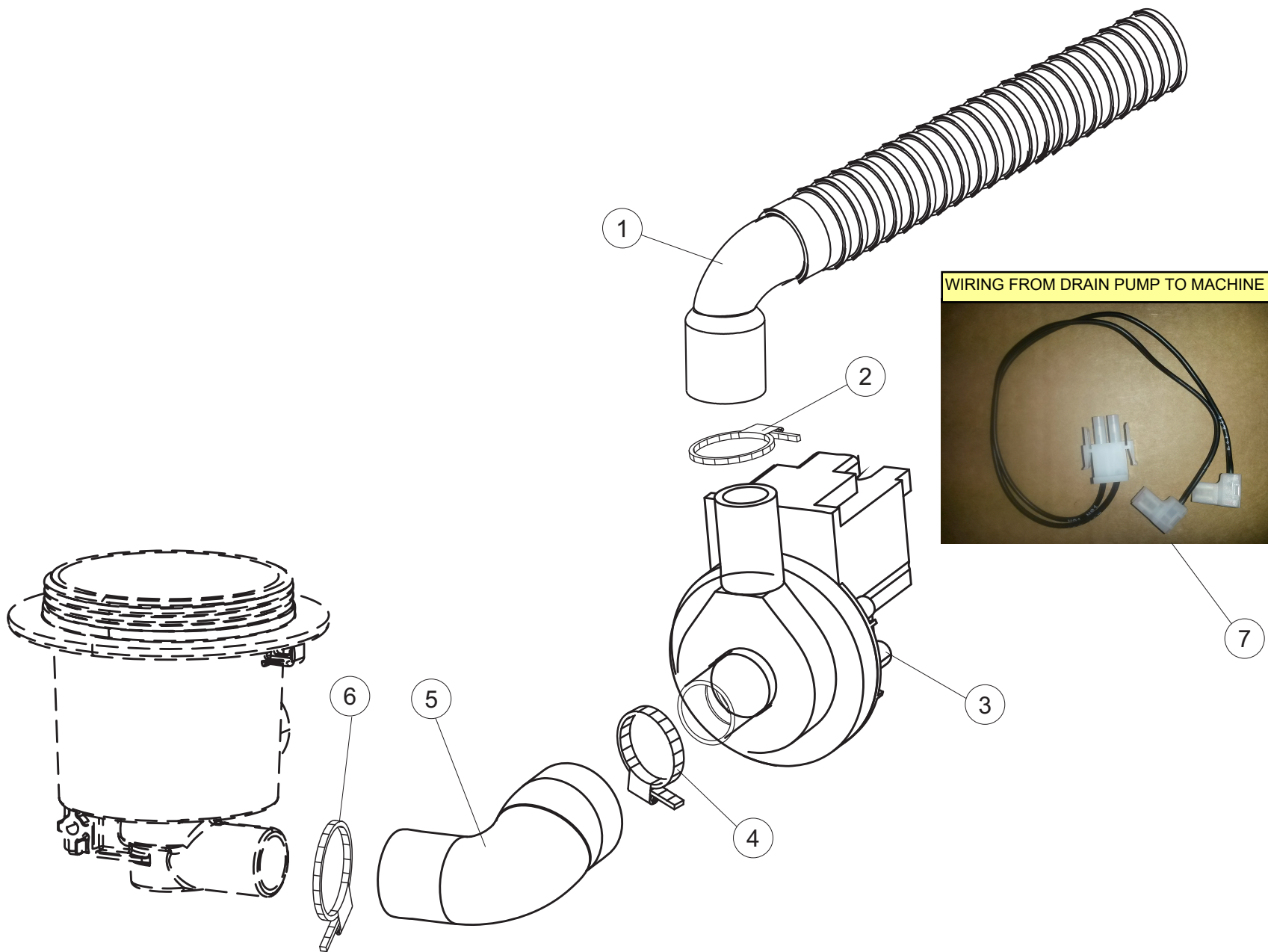
2



Ref	Description	Code
1	RIBBON CABLE	MH103725
2	DISPLAY PCB	MH106035
3	PLASTIC NUT - M3	MH101355
4	PCB SPACER - M3	MH101059
5	FASCIA STICKER - C352	MH106052
6	ELECTRONIC PRESSURE SWITCH (0-50mbar)	MH105353
7	TERMINAL BLOCK - 3 POLE	MH100975
8	INNER O-RING FOR AIR CHAMBER	MH100374
9	PRESSURE SWITCH AIR CHAMBER	MH105962
10	PRESSURE SWITCH TUBE 4X7mm (Per Mtr.)	MH100353
11	OUTER O-RING FOR AIR CHAMBER	MH100375
12	ELBOW CONNECTOR FOR AIR CHAMBER	MH100376
13	CABLE GLAND	MH100481
14	POWER CABLE WITH 13A MOULDED PLUG (2 Mtr.)	MH102221
15	WASH TANK ELEMENT (1.4kW)	MH105968
16	GASKET FOR WASH TANK ELEMENT	MH100370
17	ELECTRICS COVER MEMBRANE	MH105969
18	WASH TANK OVERHEAT THERMOSTAT - 95°C	MH100368
19	GASKET FOR BOILER ELEMENT	MH101357
20	BOILER ELEMENT - 2.6kW	MH101358
21	PROBE HOLDER FOR THERMOSTAT	MH103726
22	TEMPERATURE PROBE - WASH/RINSE	MH103715
23	WASH TANK OVERHEAT THERMOSTAT - 127°C	MH105970
24	DETERGENT INJECTION ELBOW	MH105266
25	DETERGENT TUBING 4x6mm CLEAR (Per Mtr.)	MH101089
27	BOTTLE WEIGHT AND FILTER	MH103645
28	DETERGENT PUMP - MICRODOS NON-TIMED	MH105971
29	DETERGENT PUMP SQUEEZE TUBE - MICRODOS	MH103789
30	FIXING PLATE FOR WASH TANK THERMOSTAT	MH100679
33	MAIN PCB	MH106037
34	MAIN RELAY - 6 PIN 2 POLE 16A	MH101432
35	BOILER HEATER RELAY - 4 PIN 1 POLE 30A	MH100573
36	FUSE (5X20mm) - T4A SLOW ACTING	MH100580
37	PCB MOUNT	MH104622
38	ELECTRICS COVER MEMBRANE (230x200mm)	MH100357
39	MAGNETIC DOOR SWITCH	MH100377
41	BRACKET FOR WASH TANK ELEMENT	MH105973
52	AIR BOX ASSEMBLY	MH105974
58	CONTACT THERMOSTAT (90° +/-3°C)	MH103821
66	STIFFENER FOR CHEMICAL TUBES	MH100363

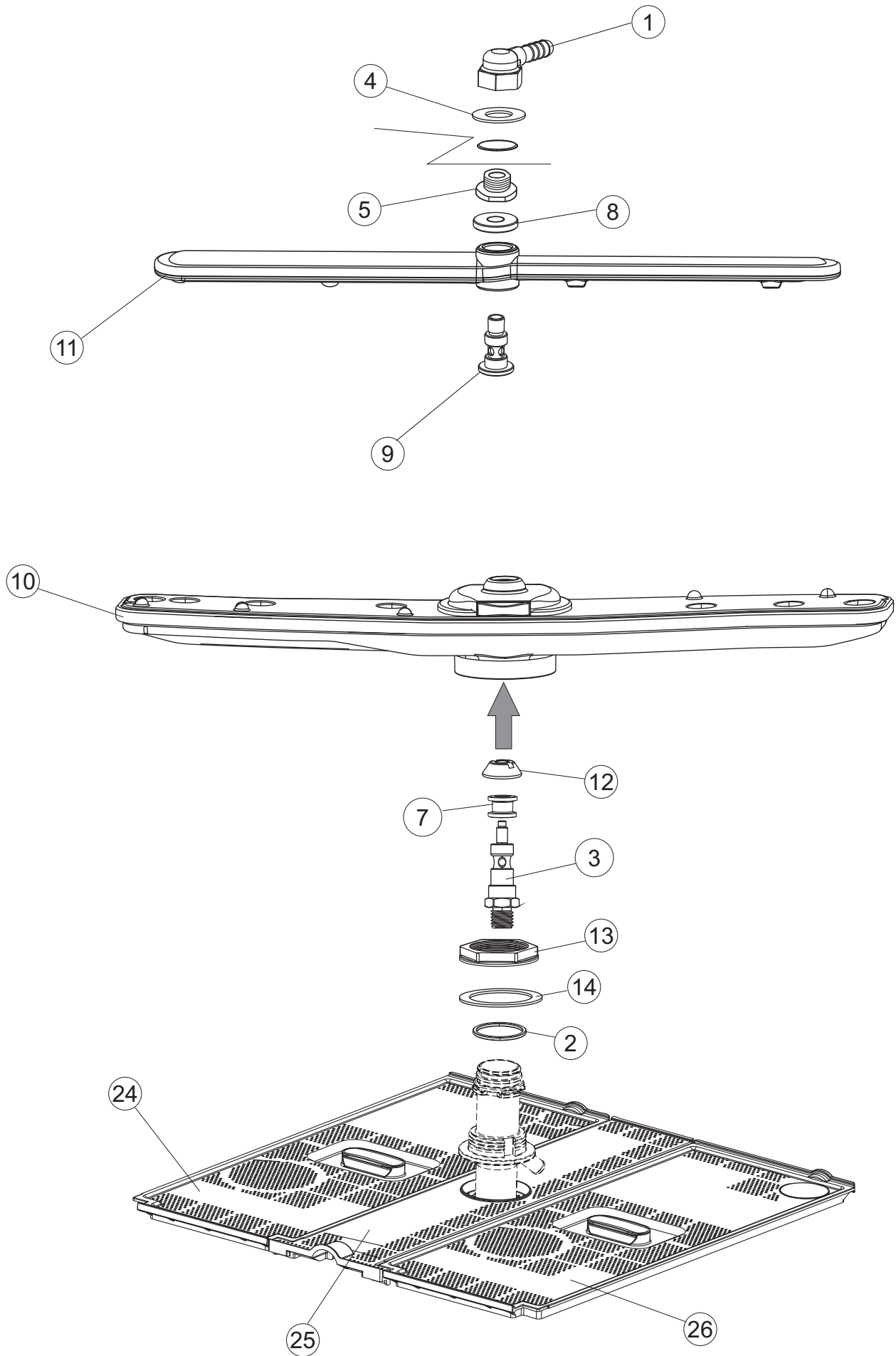


Ref	Description	Code
1	WASH PUMP FILTER	MH105975
2	RING NUT FOR ASPIRATION AND DRAIN BODY	MH104457
3	GASKET FOR ASPIRATION AND DRAIN BODY	MH104458
4	ASPIRATION AND DRAIN BODY	MH105976
5	GASKET FOR AIR BOX	MH100444
6	AIR BOX	MH104488
7	BOILER FEED HOSE	MH105977
8	RINSE FEED HOSE	MH105978
9	BOILER	MH100633
10	BOILER FEED TUBE	MH100042
11	RINSE TUBING 10x17mm (Per Mtr.)	MH100500
12	INLET SOLENOID	MH100380
13	GASKET FOR WATER SUPPLY HOSE	MH100379
14	WATER SUPPLY HOSE - 3/4" BSP	MH101390
18	HOSE CONNECTOR - 3 WAY	MH100584
19	UPPER RINSE FEED ELBOW	MH100398
20	LOWER WASH/RINSE FEED COLUMN	MH105979
21	LOWER WASH DELIVERY PIPE	MH105980
22	WASH PUMP INLET HOSE	MH105981
24	RINSE AID DOSING PUMP - MICRODOS	MH105982
25	RINSE AID PUMP SQUEEZE TUBE - MICRODOS	MH103835
26	BOTTLE WEIGHT AND FILTER	MH103645
27	RINSE AID TUBING 4x6mm BLUE (Per Mtr.)	MH100745
28	BOILER FEED TUBE - 5x11mm (Per Mtr.)	MH104388
30	DRAIN HOSE	MH105906
32	DRAIN PLUG (Without O-ring)	MH105984
33	O-RING FOR DRAIN PLUG	MH104578
35	PLASTIC BLOCK FOR PANEL SCREWS	MH105985
62	STIFFENER FOR CHEMICAL TUBES	MH100363

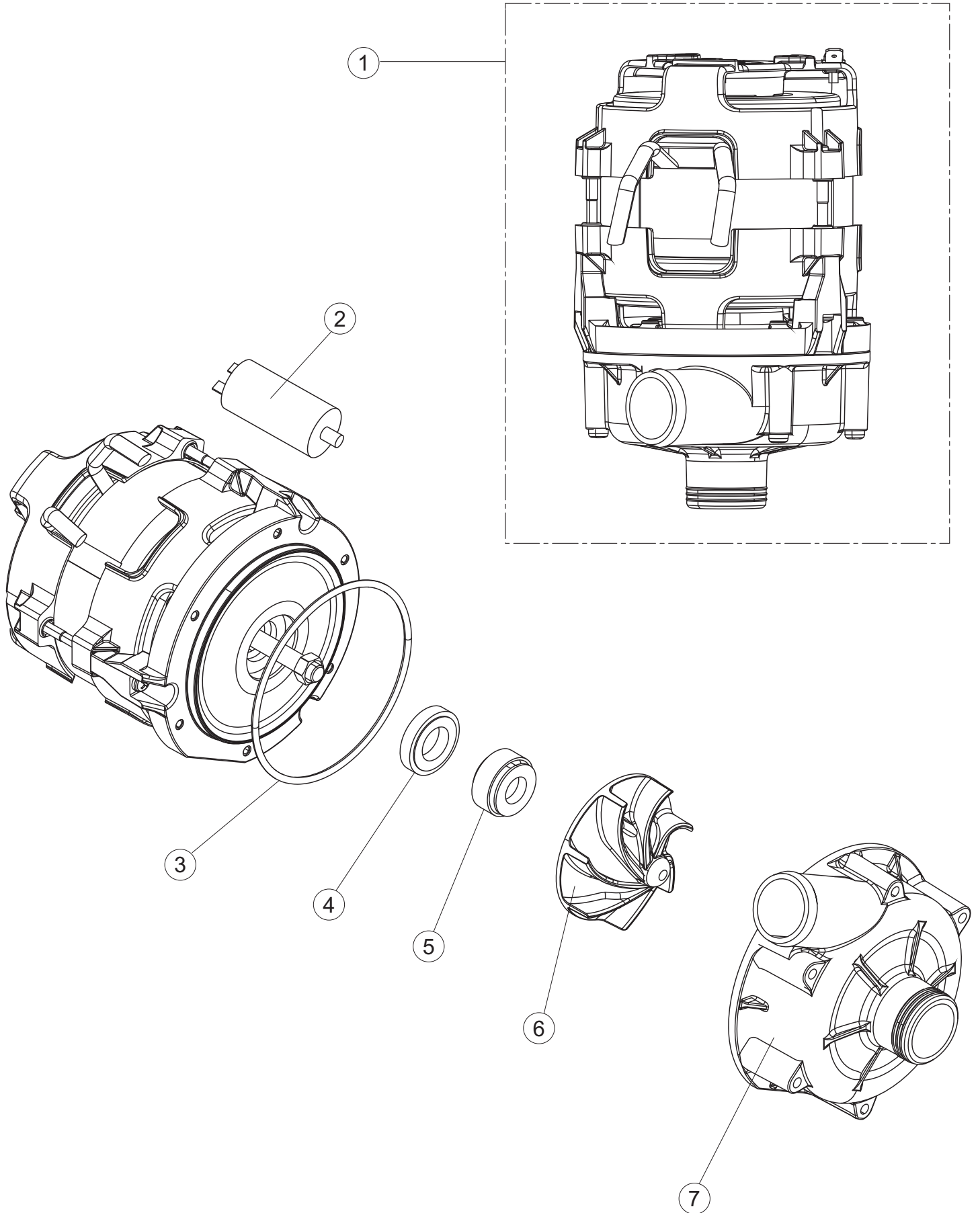


Ref	Description	Code
1	DRAIN HOSE	MH100355
2	HOSE CLIP (20-32mm)	Q901104
3	DRAIN PUMP	MH100595
4	HOSE CLIP (25-40mm)	Q104129
5	HOSE – PUMP TO SUMP	MH105905
6	HOSE CLIP (20-32mm)	Q901104
7	WIRING – DRAIN PUMP TO MACHINE	MH104640

5



Ref	Description	Code
1	UPPER RINSE FEED ELBOW	MH100398
2	SLIDING RING	MH100410
3	LOWER RINSE SPINDLE	MH106039
4	GASKET	MH100399
5	RING NUT	MH100400
7	BUSH FOR RINSE SPINDLE	MH106040
8	RING NUT	MH103846
9	RINSE ARM SPINDLE	MH104373
10	LOWER PARALLEL - WASH/RINSE ARM	MH106053
11	RINSE ARM	MH104372
12	CAP FOR RINSE SPINDLE	MH106041
13	RING NUT FOR WASH/RINSE COLUMN	MH104442
14	GASKET FOR LOWER WASH/RINSE COLUMN	MH104443
24	LEFT HAND SCRAP TRAY	MH105990
25	CENTRE SCRAP TRAY	MH105991
26	RIGHT HAND SCRAP TRAY	MH105992



Ref	Description	Code
1	WASH PUMP - 240V (180W)	MH105993
2	CAPACITOR 4mf	MH104539
3	O-RING FOR WASH PUMP HOUSING	MH105534
4	LOCK FOR SHAFT SEAL	MH105994
5	ROTATING SHAFT SEAL	MH105995
6	WASH PUMP IMPELLOR	MH105996
7	IMPELLOR HOUSING FOR WASH PUMP	MH105997