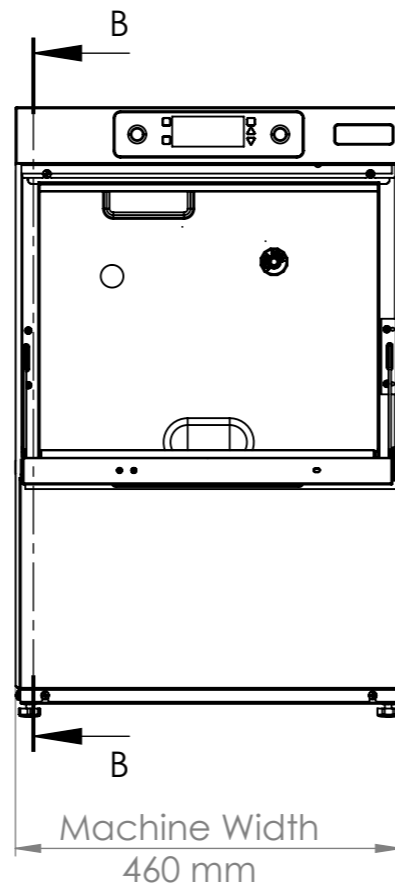
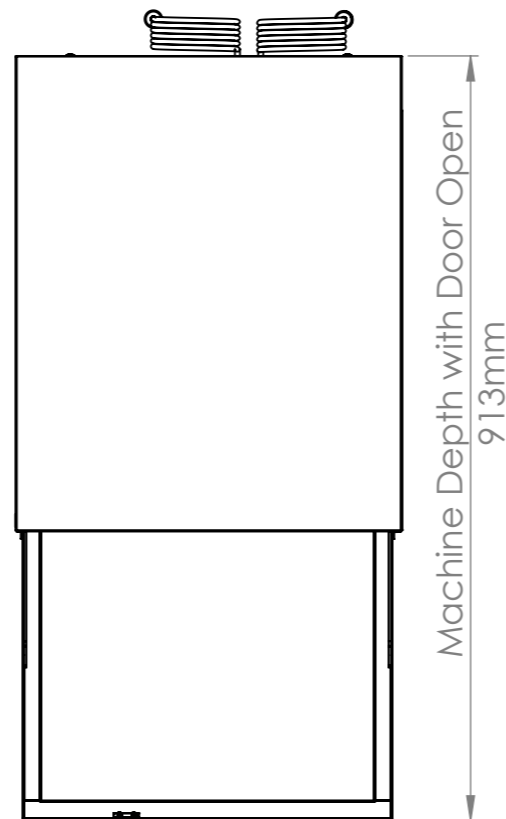


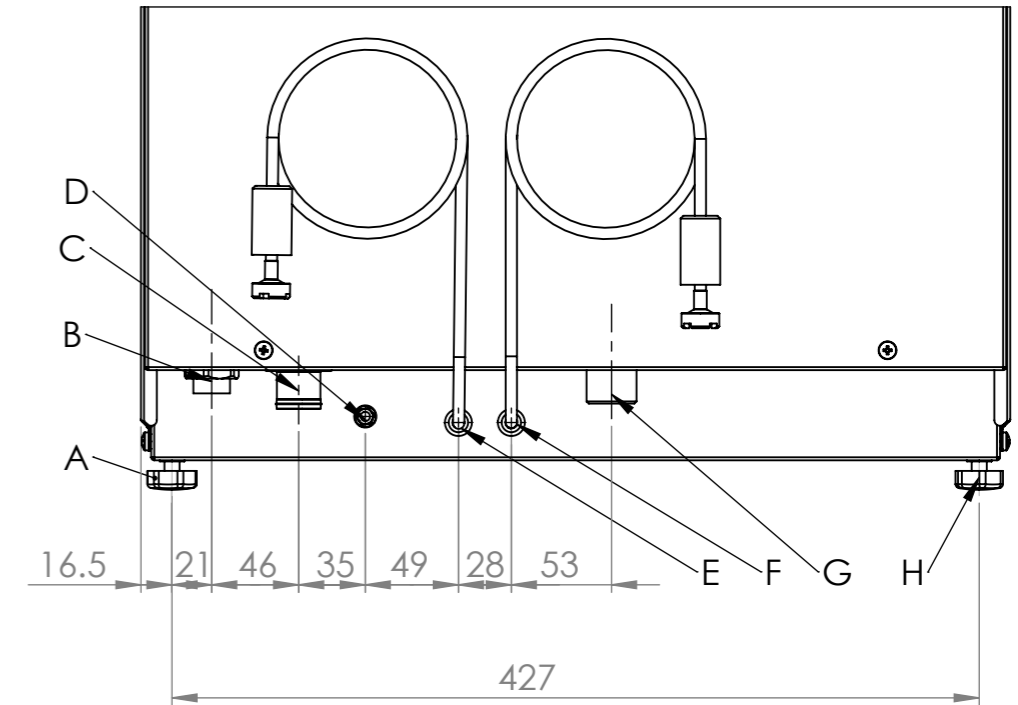
SECTION B-B



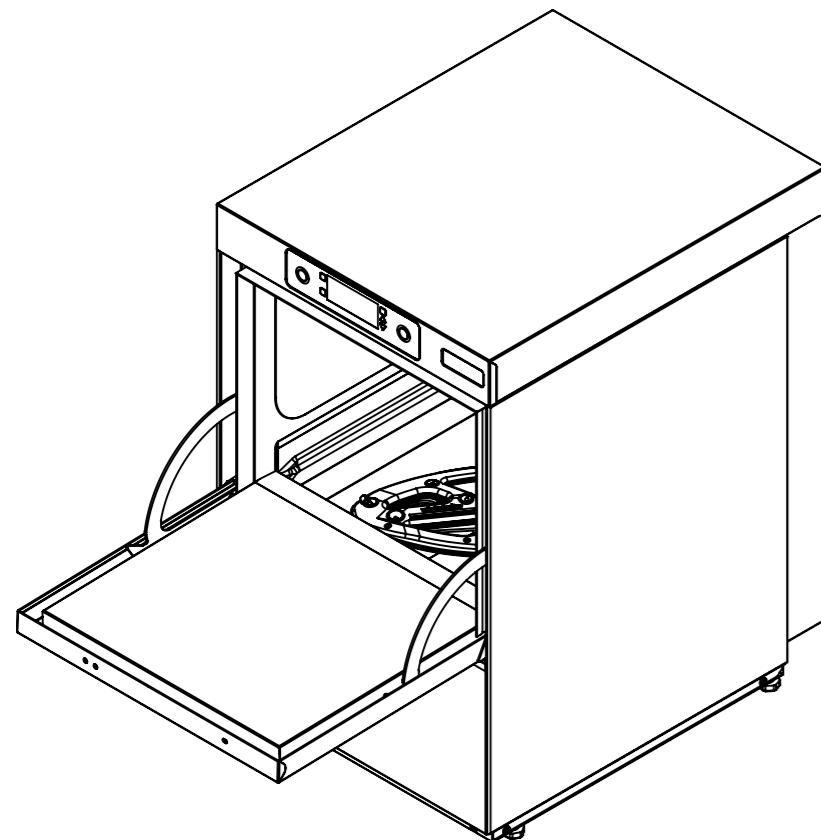
Machine Width
460 mm



Machine Depth with Door Open
913mm



- A - Feet (30mm adjustment)
- B - Mains Cable Gland
- C - Drain Connection
- D - Equi-potential connection
- E - Detergent tube Inlet
- F - Rinse Aid tube Inlet
- G - Water supply Inlet connection
- H - Feet (30mm adjustment)



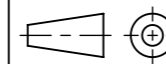
General Notes:

- 1).....All sharp edges & burrs MUST be removed from finished components.
- 2).....All finished components MUST be free from any defects.

CLASSEQ

Classeq Ltd.
Classeq House
Beacon Business Park
Beacon Way
Stafford
ST18 0DG
United Kingdom

**IF IN
DOUBT
ASK**



NAME		DATE	STATUS:	
DRAWN	APP	14/02/2023	Production	
MATERIAL: See Table			DESCRIPTION: C400 & C400WS	
FINISH:		SIZE A3	DRAWING NO.: 90001662	REV.: A
DO NOT SCALE 3D DATA IS MASTER DIMENSIONING WITH REFERENCE TO BS8888		WEIGHT: 8872.57g	SCALE:1:9	Sheet 2 of 2
OUTSIDE DIMS.: H: APP W: APP D: APP				