



## 1. CONTENTS

- Part 1. Contents
- Part 2. Introduction
- Part 3. Precautions and Safety Instructions Before The Initial Start-Up
- Part 4. Technical Features of Single Door Visi-Coolers
- Part 5. Assembly of Single Door Visi-Coolers / The Initial Start-up
- Part 6. Operating Single Door Visi-Coolers
- Part 7. Cleaning, Maintaining and Transporting Single Door Visi-Coolers
- Part 8. Trouble Shooting
- Part 9. Compliance Norms

## 2. INTRODUCTION

This operating manual has been designed to facilitate the use of your single door visi/cooler with maximum efficiency over the years. In all of the manufacturing processes “**environmentally friendly**” technologies are used as well as materials and refrigerants that are not harmful to the nature. **Please read this manual carefully before you start operating your visi/cooler in order to prevent user defects and ensure maximum efficiency from this product that has been manufactured to serve you over the years.**

Detect the visi/cooler immediately on delivery for any damage. In case of any damage, contact with your authorized dealer within 24 hours.

**Attention:** It requires a lapse of minimum 2 hours after any transportation before you start operating your visi/cooler. If the visi/cooler has remained in an environment, the temperature of which was below 0° C for a long period, allow for the compressor temperature to reach beyond +5 °C before re-operating the visi/cooler.

### **3. PRECAUTIONS AND SAFETY INSTRUCTIONS BEFORE THE INITIAL START-UP**

**Your visi/cooler must be plugged certainly in an earthed wall socket.**

Before operating the visi/cooler, ensure that the mains socket is checked for proper earthing (grounding) and nominal voltage and frequency requirements by the authorized service staff or a qualified electrician. If the supply cord is damaged, it must be replaced by the manufacturer, or its authorized service or a similarly qualified person in order to avoid any hazard.

**Do not use multi socket and extension cable.**

**The main power supply to which the visi-cooler is connected must have a leakage current relay.**

The nominal voltage and frequency requirements for the body are specified on the data plate.

**Never make any repairs or carry out maintenance while the visi/cooler is plugged in the mains socket.**

Do not position the visi/cooler in a place, close to a source of strong heat or exposed to direct sunlight. Always remember that the UV lights in the sunlight deteriorates food in the glass door visi/coolers. The appliance can be used in ambient temperature of max. 32 °C.

**Unless otherwise stated, do not place your cooler to open areas where water can leak in.**

**Do not wash with pressurized water or hose when cleaning the product and its surroundings, use a wet cloth. Otherwise, the water which may intrude into the electrical components of the product can cause electric shock and fire risk.**

**Do not place your products in highly humid places and/or places subject to corrosion.**

**Start the visi-cooler on a level surface. Position it on the floor and make sure that it is level using a bubble gauge. If the visi-cooler is found to tilt in one particular direction, please adjust the height of the corresponding leg until it is level. Then please move the visi/cooler to the location where it will be used.**

**Do not relocate the cooler or move the cooler on its rollers while its loaded with product. If cooler is empty, please do not push the cooler to pass over cables or door frames, to avoid roller damages. Never push the cooler when the pavement is uneven, having inclination, or there are stairs nearby.**

All the components that produce heat are located at the bottom part of your visi/cooler.

Proper air circulation at this part is very important to ensure performance, therefore while positioning the visi/cooler, allow minimum 10 cm of space from the sides.

Do not let children get into and play around the body.

Keep the visi/cooler key and plastic bags covering the accessories and the Manuel in a safe place out of reach of children.

Do not place any explosives and flammables in the visi/cooler for safety reasons.

**Leave the top of the visicooler free, so that hot air from bottom can circulate effectively.**

**This appliance can be used by children aged from 8 years and above and persons with reduced physical, sensory or mental capabilities or lack of experience and knowledge if they have been given supervision or instruction concerning use of the appliance in a safe way and understand the hazards involved. Children shall not play with the appliance. Cleaning and user maintenance shall not be made by children without supervision.**

**PLEASE CHECK YOUR REFRIGERANT GAS TYPE FROM THE RATING LABEL: R134a, R600a, R290 or R744 (CO<sub>2</sub>)**

**Only for the models with R600a or R290 gas:**

**R600a/R290 gas is used in some models, explained in this instruction manual. R600a/R290 is an environmentally friendly gas and used in appliances which have effective cooling technology. This gas is flammable only under certain conditions. You must follow up the following rules if you wish to get normal operating conditions.**

**WARNING :** Keep ventilation openings, in the appliance enclosure or in the built-in structure, clear of obstruction.

**WARNING :** Do not use mechanical devices or other means to accelerate the defrosting process.

**WARNING :** Do not damage the refrigerant circuit.

**WARNING :** Do not use electrical appliances inside the food storage compartments of the appliance.

**WARNING :** In order to reduce flammability hazards, the installation of this appliance must only be carried out by a suitably qualified person.

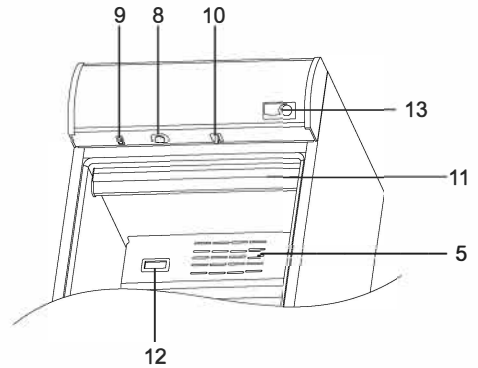
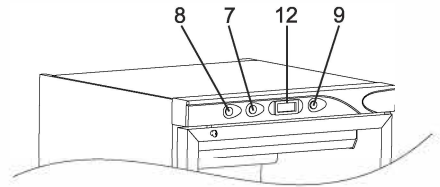
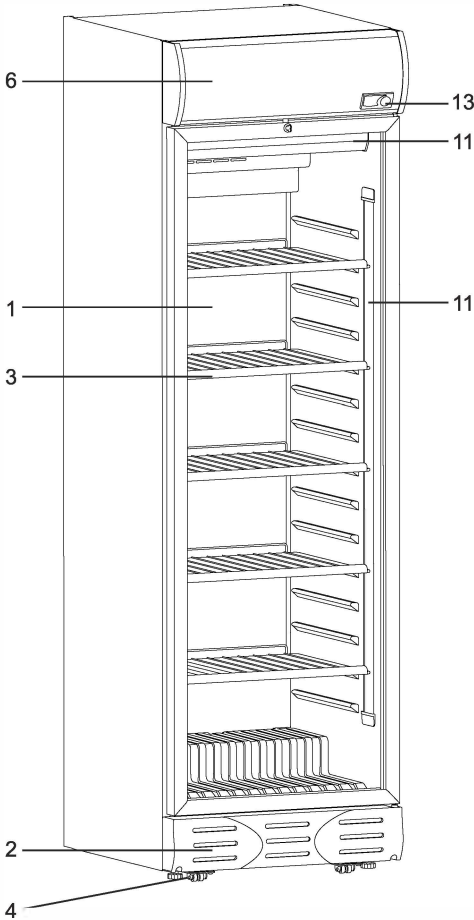
**Do not tangle with the device due to maintenance, repair or any other reasons other than authorized service.**

**Plug off the device against any possible freezing or icing and leave for defrosting.**

**Choose original components for all parts necessary for replacement on the product.**

#### 4. TECHNICAL FEATURES OF SINGLE DOOR VISI-COOLERS

- 1 - Door
- 2 - Power compartment
- 3 - Shelf
- 4 - Adjustable height
- 5 - Interior ventilation fan
- 6 - Canopy
- 7 - Green light
- 8 - Thermostat setting knob
- 9 - Lighting switch
- 10 - Fan switch
- 11 - Interior lighting
- 12 - Thermometer
- 13 - Electronic thermostat (optional)



<b>TECHNICAL FEATURES</b>		<b>CBC382</b>		
Operating Temperature	°C	0/+10		
Climate Class		Please see the name plate...		
Power	W			
Voltage / Frequency	V/hz			
External Dimensions	WxDxH (mm)	600x624x1863		
Internal Dimensions	WxDxH (mm)	490x447x1557		
Max.Shelf Load (Net)	Kg	41		

Values specified above tables are given according to standard values and can vary by optional features.

Type label is located in the refrigerant part of the cabinet.

Please see the back page of the guide for the Type label sample.

Climate Classes			
Class	Temperature °C	Relative Humidity %	Dew Point °C
0	20	50	9,3
1	16	80	12,6
2	22	65	15,2
3	25	60	16,7
4	30	55	20,0
5	27	70	21,1
6	40	40	23,9
7	35	75	30,0
8	23,9	55	14,3

## 5. ASSEMBLING SINGLE DOOR VISI-COOLERS / THE INITIAL START UP

Air circulation at the rear is required for the visi/coolers operate efficiently.

Move the visi/cooler backwards to place it properly.

Allow minimum 10 cm of space from the sides and the rear in order to ensure proper air circulation.

Leave the top of the visi/cooler free.

For models S 88 SC and S 56 SC, allow minimum 10 cm of space from the rear and minimum 30 cm of space from the sides for proper air circulation.

Your visi/cooler is now ready to plug in.

## 6. OPERATING SINGLE DOOR VISI-COOLERS

Avoid blocking air circulation inside the visi-cooler, when loading the visi/cooler with food products. Otherwise undesired and extensive temperature variances may occur between the top and bottom compartments of the visi/cooler.

### Control Panel:

Control panel consists of the following components depending on the model:

### Green Light (optional):

It is lit so long as the visi-cooler is connected to the electric supply.

### Thermostat Setting Knob (optional):

It is used to regulate the internal temperature of your visi/cooler.

Thermostat adjustment is the most optimum adjustment in products with mechanical thermostat in factory defaults. It is recommended not to be replaced as long as it is not troubled with the inter product temperature. If you think that the product is not in desired temperature range you can make thermostat adjustment.

Thermostat setting must be done according to the features of the products to be preserved. Temperature setting can be done by means of turning the black thermostat knob on the control panel by the help of a coin or similar object. Turning the knob right decreases the internal temperature, whereas turning it left increases the internal temperature. Turning the knob leftmost stops the compressor, which in turn stops the chilling process, although the electric current to the visi/cooler is not cut off.

### Internal Ventilation Fan Switch (optional):

It used to provide air circulation inside the visi-cooler.

### Internal Lighting Switch (optional):

It is used to turn on or off the internal light of your visi-cooler. If the light bulb does not function anymore, always unplug the visi-cooler from the mains before replacing it. Pull up the lamp cover. Rotate the electric bulb 90 degrees, take it off and replace it with a new one. Always replace the starter whenever you replace the electric bulb.



### **Dismantling the Illuminated Advertisement Panel**

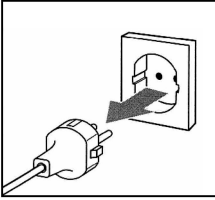
If it ever requires dismantling the illuminated advertisement panel, do the following:

The LEFT lid is screwed to the body and it is not possible to dismantle it from the outside.

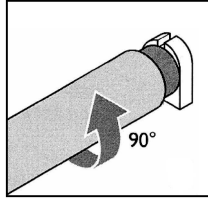
Therefore do not try to remove it. Advertisement panel is fixed to the RIGHT lid. Hold the right lid on the top and bottom sides and pull it RIGHTWARDS. The right lid will slide on the upper and lower tracks allowing the compartment open. Once the compartment is open, carry out the needed (replacing the florescent lamps) and close the compartment by pulling the lid in the opposite direction.

### **Replacing the fluorescent lighting: (If your product has fluorescent lamp)**

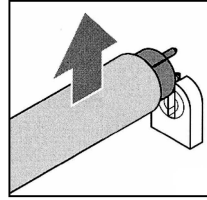
Before dismantling the lamp, always unplug your visi-cooler. After dismantling the lamp cover inside the visi-cooler, remove the lamp and always replace it with a lamp of the same features (length, power etc.)



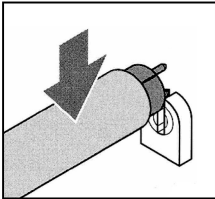
Unplug your visi-cooler.



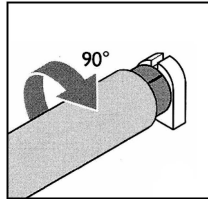
Rotate the lamp 90°.



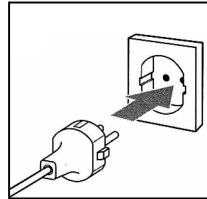
Remove the destroyed fluorescent lamp.



Place the new fluorescent lamp.



Rotate it 90°.



Switch on your visi-cooler again.

### **WARNING :**

**Your cooler can have a fluorescent lamp. If the fluorescent lamp don't illuminate or start to blinking, please call technical service to repair it in a short while. Please do not remain your cooler with non working lighting system.**

### **WARNING:**

**Your cooler can have a LED illumination. If you face any problem with LED illumination, never try to repair it yourself. Inform an authorized service.**



### **Removing the Pallet and Inserting the Feet**

Your single Door visi/cooler has been delivered on a wooden pallet, screwed to the body at four corners. Please carry out the following to detach the pallet before the body is set in its final operating location:

- \* Cut the 4 cable ties fixing to pallet to the cooler chassis by the means of a hand tool (Except to S 56 SC and S 88 SC)
- \* Use a wrench to loosen and remove the head screws on the front and rear corners that fix the pallet to the base. (Only for S 56 SC and S 88 SC)
- \* Carefully detach the pallet from the body base. Please find the feet of the visi/cooler provided interior. Insert them in the screwed sockets at the bottom of the visi/cooler and make the height adjustment.

### Defrosting:

Your visi/cooler is devised with an automatic defrosting system regulated by the thermostat. Defrost water accumulates in the channel underneath the evaporator; it is then carried to the drip tray by the help of a hose where it evaporates.

You can speed up defrosting by means of placing a bowl of hot water underneath the visi/cooler (make sure that it is not boiled). After defrosting, clean the body and make sure to wipe it out leaving no moist inside. Plug the body again and reload the visi/cooler after one hour.

## 7. CLEANING, MAINTAINING AND TRANSPORTING SINGLE DOOR VISI-COOLERS

To ensure higher efficiency, your visi-cooler must be regularly cleaned. Never use any cleaning agent that contains alcohol, scouring powder or powerful solvents. Always remove the plug from the mains socket before cleaning the visi/cooler. Add two teaspoons of baking soda (bicarbonate of soda) in 1-liter water and use this mixture to clean the visi/cooler. Clean the outer part with a wet cloth and then wipe it out.

**Attention: Never use any hot water, electrical heater, sharp tools or similar things as they may harm the visi/cooler.**

### Holidays /Stop Using For A While:

Do not unplug your visi/cooler if you are going on a holiday or stop using it for a short time.

If you are going on a holiday or stop using the body for a long time, unplug the visi/cooler and empty it. After defrosting, clean the visi/cooler and wipe it out with a cloth. Leave the door open to prevent odour in the visi/cooler.

### Transporting your visi/cooler:

Before relocating the body, unplug it from the mains socket, defrost it, wipe the interior walls and floor with a damp cloth, place the plastic blockings between the glass-door and the body and carry it in the normal position as it is used.

**Attention:** Expansion gas (C-Pentane) is used in the insulation system of the visi/cooler. When you dispose the body, it requires observing the applicable laws and rules of the country in which it is used.

**Cleaning / maintaining of your cooler's condenser must be done at least two times in a year by authorized service.**

## 8. TROUBLE SHOOTING

### • If the visi-cooler does not function;

- Check if the visi/cooler is properly plugged in the mains socket
- Check if there is electric current to the mains socket
- Check if the fuse has blown out.
- Check if there is power failure.

### • If the visi-cooler operates more frequently than desired;

- Check if the door is opened very frequently or left open for a long time
- Check if the thermostat is set to chill more than desired
- Check if the compressor compartment is properly ventilated or compressor compartment needs cleaning.

### • If the visi-cooler does not cool enough;

- Check the temperature setting
- Check if the door is opened very frequently or left open for a long time
- Check if the internal air circulation is interrupted by overloading
- Cleaning / maintaining of condenser might not done. ( Please See Section7 )

### • If there is odour in the visi-cooler;

- Check if odorous foodstuff is stored in uncovered containers
- Check if inside is properly cleaned

After checking the above-mentioned points and carrying out the recommendations, if your visi-cooler still functions unsatisfactorily, contact the nearest authorized service centre, informing your complaints as well as the model and serial number of your visi-cooler.

## 9. COMPLIANCE NORMS

Single Door Visi-coolers described in this manual are manufactured and inspected in compliance with the

TS EN ISO 23953-1  
TS EN ISO 23953-2  
TS EN 60335-2-89  
IEC 60335-2-89  
2006/95/EC,  
2004/108/EC

Type : **VERTICAL COOLER C-PENTANE**

Model :

Input :

Lamp Power :

Power / Current :

Class :

Refrig. :

Operation manual is inside the unit.



0000000000000000



**CE**  **RoHS**