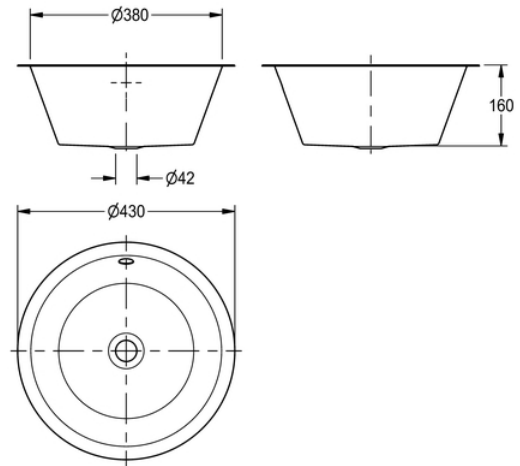


ROUND INSERT SINK BOWL: D20142N

D20142N | 2000100231

PRODUCT GROUP : Wash basins | ARTICLE FAMILY : Wash basins | ARTICLE GROUP : D20142N



This range of round inset sink bowls is manufactured from 1.2mm thick, grade 1.4301 (304) stainless steel, satin polish finish. All the bowls incorporate a rimmed edge for inseting into a worktop. All three bowls are prepared for a 32mm waste outlet. Waste fittings can be supplied as an extra. No tapholes are provided, any taps to be fitted must be mounted either through the worktop or wall mounted. Supplied complete with fixing adhesive. NOTE: It may be necessary to notch the worktop when fitting an overflow.

TECHNICAL DATA

| | |
|---------------------|--------------------------------|
| bowl - bowl depth | 160.00 mm |
| bowl finish | satin finished |
| bowl - depth | 380.00 mm |
| bowl shape | circle |
| gross weight | 2.40 kg |
| material | stainless steel |
| material code | 1.4301 Chrome Nickel steel V2A |
| material thickness | 1.20 mm |
| net weight | 1.80 kg |
| overall height | 160.00 mm |
| overall width | 430.00 mm |
| overflow | yes |
| rear upstand | no |
| splash back | no |
| surface finish | satin finished |
| tap ledge | no |
| type of mounting | inset mounting |
| waste hole position | centre |
| waste size | DN 32 |