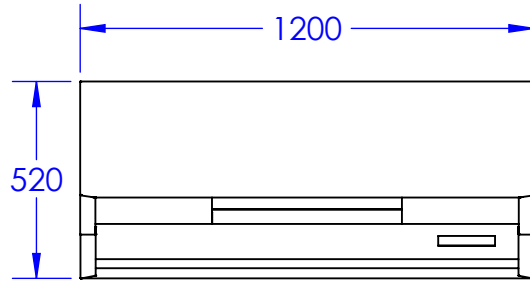
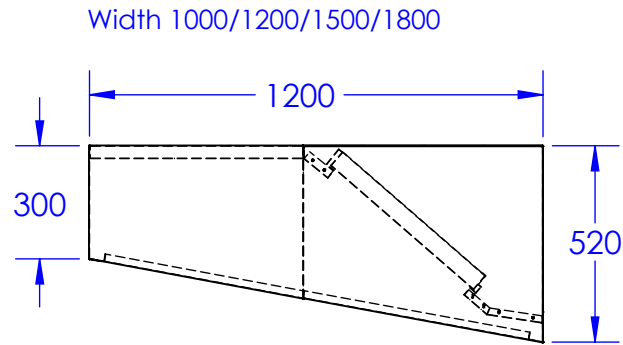


APPROVAL SIGNATURE	DATE
--------------------	------

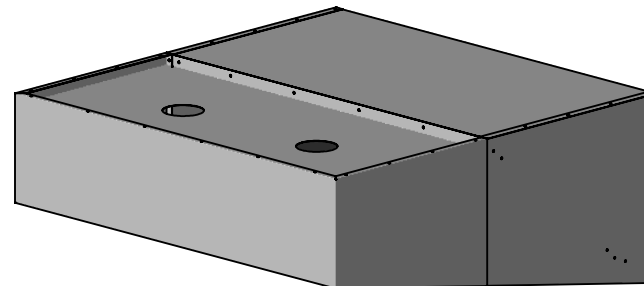
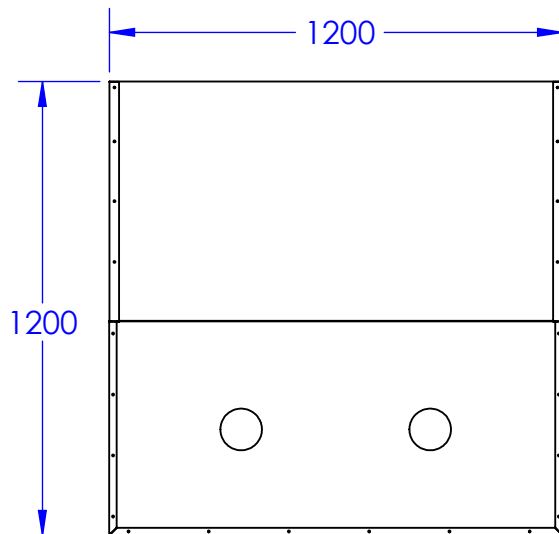
Front View



Side View



Plan View



THE CONTRACTOR SHALL VERIFY ALL DIMENSIONS ON THE JOB BEFORE STARTING WORK OR PREPARING SHOP DRAWINGS. ANY DISCREPANCIES MUST BE REFERRED TO THE ARCHITECT. DO NOT SCALE FROM THIS DRAWING.

COPYRIGHT ON ALL DRAWINGS, SPECIFICATION AND DOCUMENTATION REMAINS THE PROPERTY OF CATERKWIK LTD. AND MUST NOT BE COPIED OR REPRODUCED IN WHOLE OR IN PART IN ANY MANNER OR FORM WITHOUT PRIOR CONSENT OF THE COMPANY.

PROJECT

1200w Canopy

CLIENT

TITLE

1200w Canopy

SCALE	DRAWN	CHECKED	DATE
1:20	AG		26/07/2022
JOB NO	DRAWING NO	SIZE	REVISION
00001		A4	



Caterkwik Ltd, Newlands, Ulverston. Cumbria, LA12 7QQ

www.caterkwik.co.uk