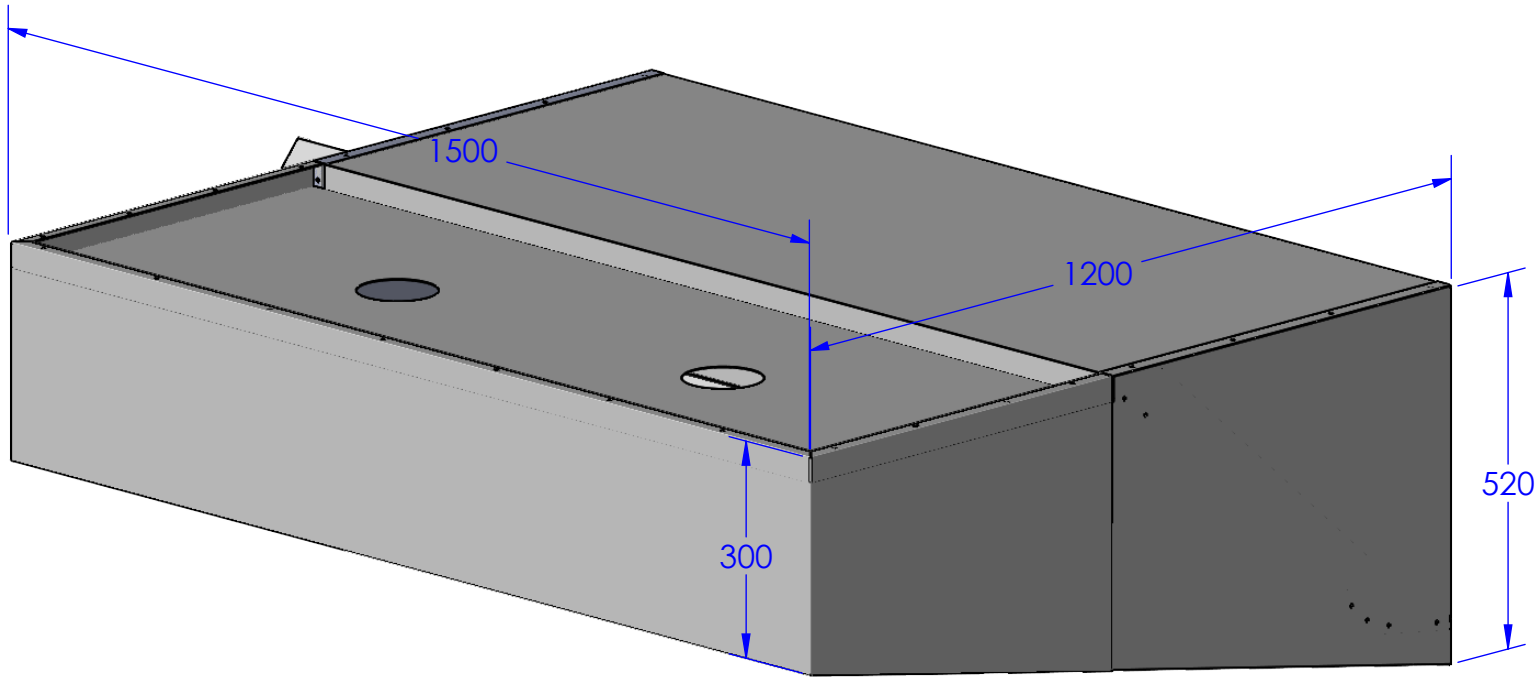


APPROVAL SIGNATURE	DATE
--------------------	------



THE CONTRACTOR SHALL VERIFY ALL DIMENSIONS ON THE JOB BEFORE STARTING WORK OR PREPARING SHOP DRAWINGS. ANY DISCREPANCIES MUST BE REFERRED TO THE ARCHITECT. DO NOT SCALE FROM THIS DRAWING.

COPYRIGHT ON ALL DRAWINGS, SPECIFICATION AND DOCUMENTATION REMAINS THE PROPERTY OF CATERKWIK LTD. AND MUST NOT BE COPIED OR REPRODUCED IN WHOLE OR IN PART IN ANY MANNER OR FORM WITHOUT PRIOR CONSENT OF THE COMPANY.

PROJECT

CLIENT

TITLE

SCALE	DRAWN	CHECKED	DATE
1:10			28/07/2022

JOB NO	DRAWING NO	SIZE	REVISION
		A4	



Caterkwik Ltd, Newlands, Ulverston. Cumbria, LA12 7QQ

[www.caterkwik.co.uk](http://www.caterkwik.co.uk)