

CATER-COOK

Commercial 4 & 6 Slot Toasters - Instruction Manual

Models: CK0079, CK0089



To avoid risk of accidents or damage to the appliance, it is essential to read these instructions before it is installed and used for the first time.

Caterkwik Ltd

The Lakeland Catering Centre
Newlands
Ulverston
Cumbria
LA12 7QQ

01229 480001

info@caterkwik.co.uk





Information

Thank you for purchasing the Cater-Cook toaster. In order to ensure safe operation, you are advised to read to this manual carefully, before installation & use to fully understand the features, installation & operational details of this equipment.

Before using this toaster, keep these instructions for future reference. Correct maintenance of this machine provides the best possible performance of your Cater-Cook toaster.

Pack Contents

Toaster
User Manual

Features

- Robust stainless steel construction
- Attractive design with rounded edges
- Adjustable timer to ensure bread is browned to perfection
- Removable crumb tray
- Manual uplift bar
- Energy efficient operation
- Individual slot selection

SKU	CK0079	CK0089
Model	4 Slot toaster	6 Slot toaster
Rated load (V)	220-240V/50-60Hz	220-240V/50-60Hz
Rated Power	1.8 (1.1/1.8)kW	1.8 (1.1/1.8/2.5)kW
Operation time	0-5 minutes	0-5 minutes
Dimensions (WxDxH)	330x285x250mm	465x285x250mm



Operation & Maintenance

Operation

1. Connect the toaster to a suitable mains power socket.
2. Insert the desired number of bread slices.
3. Select the number of slices using the slot selection.
4. Adjust the timer to the desired time. The ON/OFF indicator will now light up.
5. Pull the lever down to lower the bread into the toaster.

For the best operation and longevity of your toaster, regular cleaning should be undertaken. Follow the below steps on how to clean and maintain your toaster.



WARNING!

The toaster **MUST** be disconnected from the power supply before carrying out any cleaning or maintenance.

The exterior of the toaster can be cleaned with a soft cloth. **DO NOT** use corrosive cleaning products on the toaster.

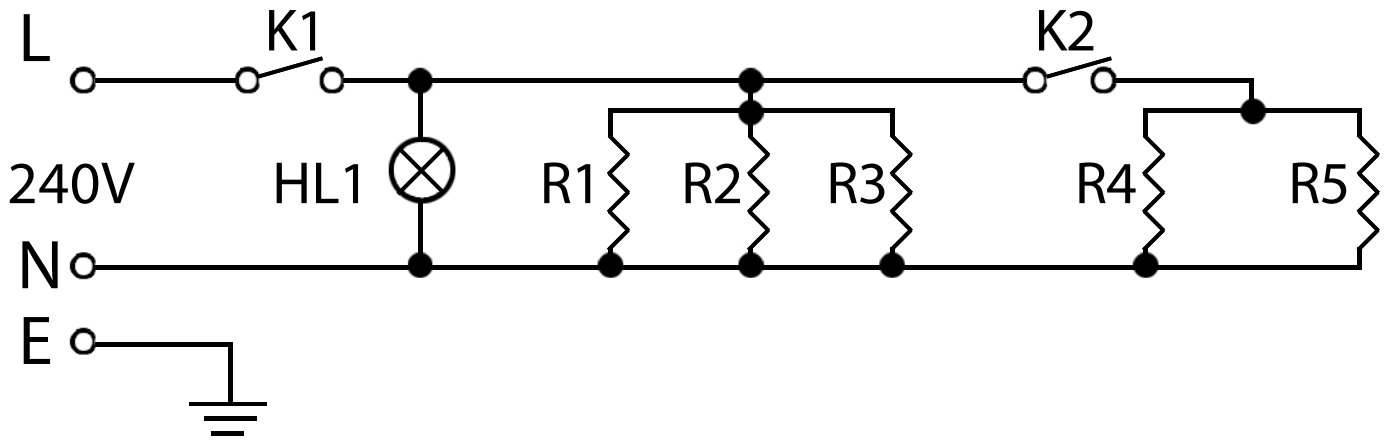
Dry the toaster thoroughly after cleaning.

Empty the crumb tray regularly by sliding out and sliding back in once empty.

For any further maintenance required, contact Cater-Kwik's Service department
01229 480001



Wire Diagram



HL1	Power Indicator	K1	ON/OFF Timer
R1 - R5	Electric Thermal Plate	K2	ON/OFF Alternative

- This appliance is supplied with a 13amp BS1363 standard fused plug, that should be connected to a suitable mains socket.
- The appliance is wired with a live (brown), neutral (blue) and earth wire (green/yellow)
- To prevent electric shock do not immerse any part of this product in water or other liquid.
- Bread may burn when toasted, therefore toasters must not be used near or below curtains or other combustible materials.
- **When toasting, do not leave the appliance unattended.**
- Do not attempt to dislodge bread when the toaster is plugged in.
- Do not allow the cable to touch hot surfaces, or to hang over the edge of the work surface.
- Do not operate this appliance if the cord or plug is damaged.
- Do not use outdoors.
- Accessible surfaces of the toaster may get hot during use.