

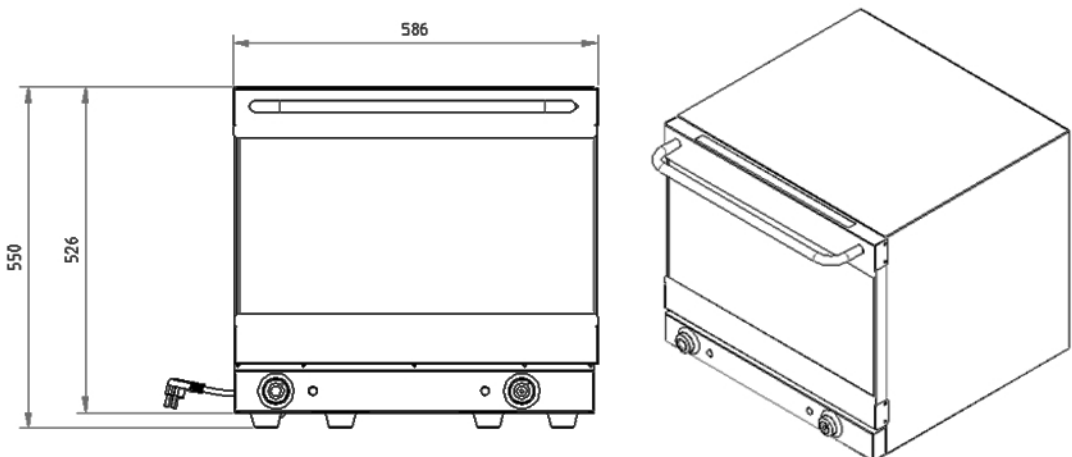


CK0303 Electric Convection Oven - Specification



-  Adjustable temperature 0 - 285°C
-  Includes 4 x chrome wire grids - 18" x 13"
-  120 minute timer
-  13 amp - plug & play
-  Double glazed, drop down door
-  Internal illumination
-  Fan assisted for constant cooking results

External Dimensions	W586 x D572 x H550mm
Chamber Dimensions	W470 x D368 x H355mm
Packed Dimensions	W710 x D670 x H670mm
Rack Dimensions	W457 x D330mm (x4)
Capacity	66 Litre
Temperature Range	0 - 285°C
Power	2.5kW 220 - 240V 50Hz
Exterior	Stainless Steel
Interior	Enamel
Weight	25kg



Caterkwik Ltd

The Lakeland Catering Centre
 Newlands
 Ulverston
 Cumbria
 LA12 7QQ

01229 480001

info@caterkwik.co.uk

