





# CK1677 Twin Deck Electric Pizza Oven - Specification



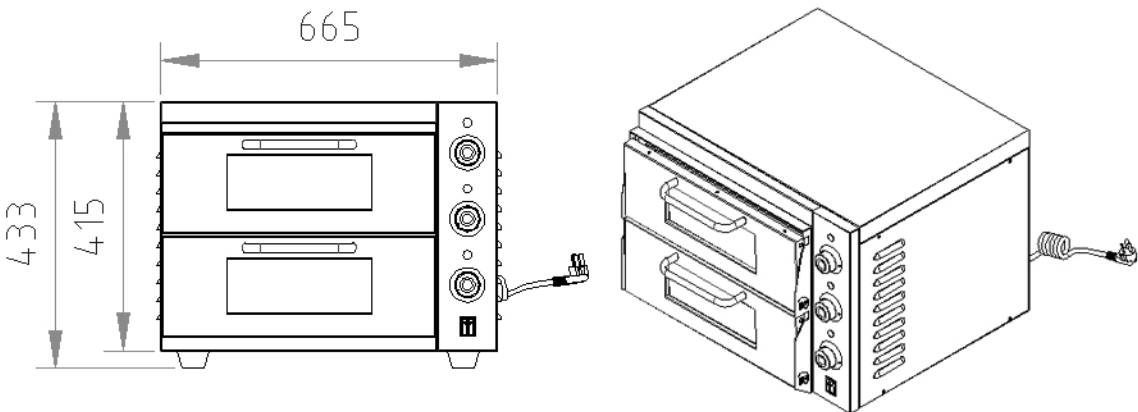
 Variable heat control 50 - 350°C.

 Power & temperature ready indicator.

 Pizza stone base.

 8 x 9" pizza capacity. (4 per deck)

External Dimensions	W670 x D580 x H460mm
Cooking Area Dimensions	W500 x D500mm
Packed Dimensions	W660 x D500 x H360mm
Electric Connection	220-240V
Electric Load	3kW
Exterior/ Cooking Plate	Stainless Steel/ pizza stone
Temperature range	0 - 350°C
Net Weight	42kg



## Caterkwik Ltd

The Lakeland Catering Centre  
Newlands  
Ulverston  
Cumbria  
LA12 7QQ

01229 480001

info@caterkwik.co.uk

