







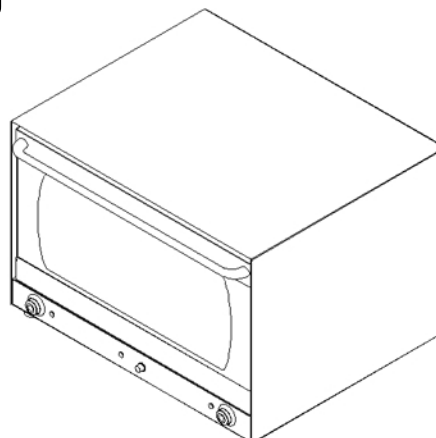
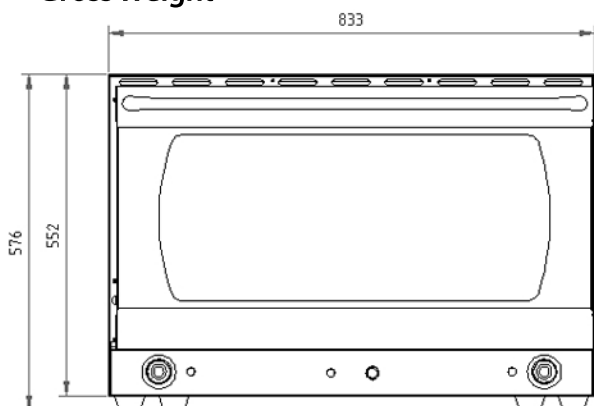


# CK1848 Electric Convection Oven - Specification



-  Adjustable temperature 50-300°C
-  Includes 4 x 40 x 60 baking trays
-  120 minute timer
-  Steam function
-  Double glazed, drop down door
-  Internal illumination
-  Twin fan assisted for constant cooking results

<b>External Dimensions</b>	W840 x D670 x H570mm
<b>Chamber Dimensions</b>	W700 x D460 x H360mm
<b>Packed Dimensions</b>	W900 x D880 x H660mm
<b>Rack Dimensions</b>	W40 x D60cm (x4)
<b>Capacity</b>	115 Litre
<b>Temperature Range</b>	50 - 300°C
<b>Power</b>	6.4kW 230V 50Hz (requires hard wiring)
<b>Exterior</b>	Stainless Steel
<b>Interior</b>	Enamel
<b>Net Weight</b>	69kg
<b>Gross Weight</b>	75kg



## Caterkwik Ltd

The Lakeland Catering Centre  
 Newlands  
 Ulverston  
 Cumbria  
 LA12 7QQ

01229 480001

[info@caterkwik.co.uk](mailto:info@caterkwik.co.uk)

