

**LAVASTOVIGLIE SOTTOTAVOLO / LAVASTOVIGLIE SOTTOTAVOLO
CON ADDOLCITORE
UNDERCOUNTER DISHWASHER / UNDERCOUNTER DISHWASHER
WITH WATER SOFTENER**

**CLA/CL1/ELA/EL1/EL3/NLA/NL1/NL3/VLA/VL1/VL3/ZLA/ZL1/ZL3
ELA..W../NLA..W../VLA..W../ZLA..W..**

Code	Type	Ref.	Pagina/ Page
400089	ELA3GWP	a	3 4 6 8
400091	VL1GMS	b	3 4 5 8
400201	EL1	c	3 4 5 8
400202	EL1D	d	3 4 5 8
400203	EL1L	e	3 4 5 8
400204	EL1P	f	3 4 5 8
400205	EL1P6	g	3 4 5 8
400206	EL1G	h	3 4 5 8
400207	EL1G6M	j	3 4 5 8
400208	EL1GMS	k	3 4 5 8
400211	EL3	m	3 4 5 8
400212	EL3P	n	3 4 5 8
400213	EL3G	o	3 4 5 8
400217	ELA1P	p	3 4 6 8
400218	ELA1G	q	3 4 6 8
400219	ELA1G6	r	3 4 6 8
400220	ELA3G	s	3 4 6 8
400221	ELA3G6	t	3 4 6 8
400222	EL3POWAG	u	3 4 5 8
400223	ELA3GMCD	v	3 4 6 8
400224	ZL1	w	3 4 5 8
400225	ZL1P	x	3 4 5 8
400226	ZL1G	y	3 4 5 8
400227	ZL1GMS	z	3 4 5 8
400228	ZL3	a1	3 4 5 8

Code	Type	Ref.	Pagina/ Page
400229	ZL3D	a2	3 4 5 8
400230	ZL3P	a3	3 4 5 8
400231	ZL3G	a4	3 4 5 8
400232	ZLA1G	a5	3 4 5 8
400233	ZLA3	a6	3 4 6 8
400234	ZLA3G	a7	3 4 6 8
400238	NL1	a8	3 4 5 8
400239	NL1P	a9	3 4 5 8
400240	NL1G	b1	3 4 5 8
400241	NL3	b2	3 4 5 8
400242	NL3P	b3	3 4 5 8
400243	NL3G	b4	3 4 5 8
400245	NLA1G	b5	3 4 6 8
400246	VL1	b6	3 4 5 8
400247	VL1G	b7	3 4 5 8
400248	VL3	b8	3 4 5 8
400249	VL3G	b9	3 4 5 8
400250	VLA3G	c1	3 4 6 8
400252	CL1G	c2	3 4 5 8
400253	CL1GU	c3	3 4 5 8
400254	CLA1G	c4	3 4 6 8
400257	NL1PPR	c5	3 4 5 8
400258	NL3PPR	c6	3 4 5 8
400259	ELA3GTL	c7	3 4 6 8
400260	ELA3GTL6	c8	3 4 6 8

Pag./Page

3
4
5
6
7
8
9-15
16

Indice

Vista generale
Componenti idraulici
Circuito idraulico a pressione
Circuito idraulico atmosferico
Circuito idraulico con addolcitore
Componenti elettrici
Lista ricambi
KIT manutenzione annuale

Index

Main view
Hydraulic components
Pressurized plumbing circuit
Atmospheric plumbing circuit
Water softner hydraulic circuit
Electrical components
Spare parts list
Yearly maintenance KIT

Marchio/Brand:

Z - A - E

Paese/Country:

Tutti/All

Da Ser. Nr./ From Ser.nr.:

Ed. 2020.10
Updated 2023.04

Doc. Nr.: **59566UY00**

**LAVASTOVIGLIE SOTTOTAVOLO / LAVASTOVIGLIE SOTTOTAVOLO
CON ADDOLCITORE
UNDERCOUNTER DISHWASHER / UNDERCOUNTER DISHWASHER
WITH WATER SOFTENER**

**CLA/CL1/ELA/EL1/EL3/NLA/NL1/NL3/VLA/VL1/VL3/ZLA/ZL1/ZL3
ELA..W../NLA..W../VLA..W../ZLA..W..**

UC WITH WATER SOFTENER

Code	Type	Ref.	Pagina/ Page
400092	NLA3WG	d1	3 4 6 7 8
400209	ELA1W	d2	3 4 6 7 8
400210	ELA1WP	d3	3 4 6 7 8
400214	ELA3W	d4	3 4 6 7 8
400215	ELA3WP	d5	3 4 6 7 8
400216	ELA3WG	d6	3 4 6 7 8

Code	Type	Ref.	Pagina/ Page
400235	ZLA3W	d7	3 4 6 7 8
400236	ZLA3WP	d8	3 4 6 7 8
400237	ZLA3WG	d9	3 4 6 7 8
400244	NLA3W	e1	3 4 6 7 8
400251	VLA3WG	e2	3 4 6 7 8
400261	ELA1PS	e3	3 4 6 8

Pag./Page

3
4
5
6
7
8
9-15
16

Indice

Vista generale
Componenti idraulici
Circuito idraulico a pressione
Circuito idraulico atmosferico
Circuito idraulico con addolcitore
Componenti elettrici
Lista ricambi
KIT manutenzione annuale

Index

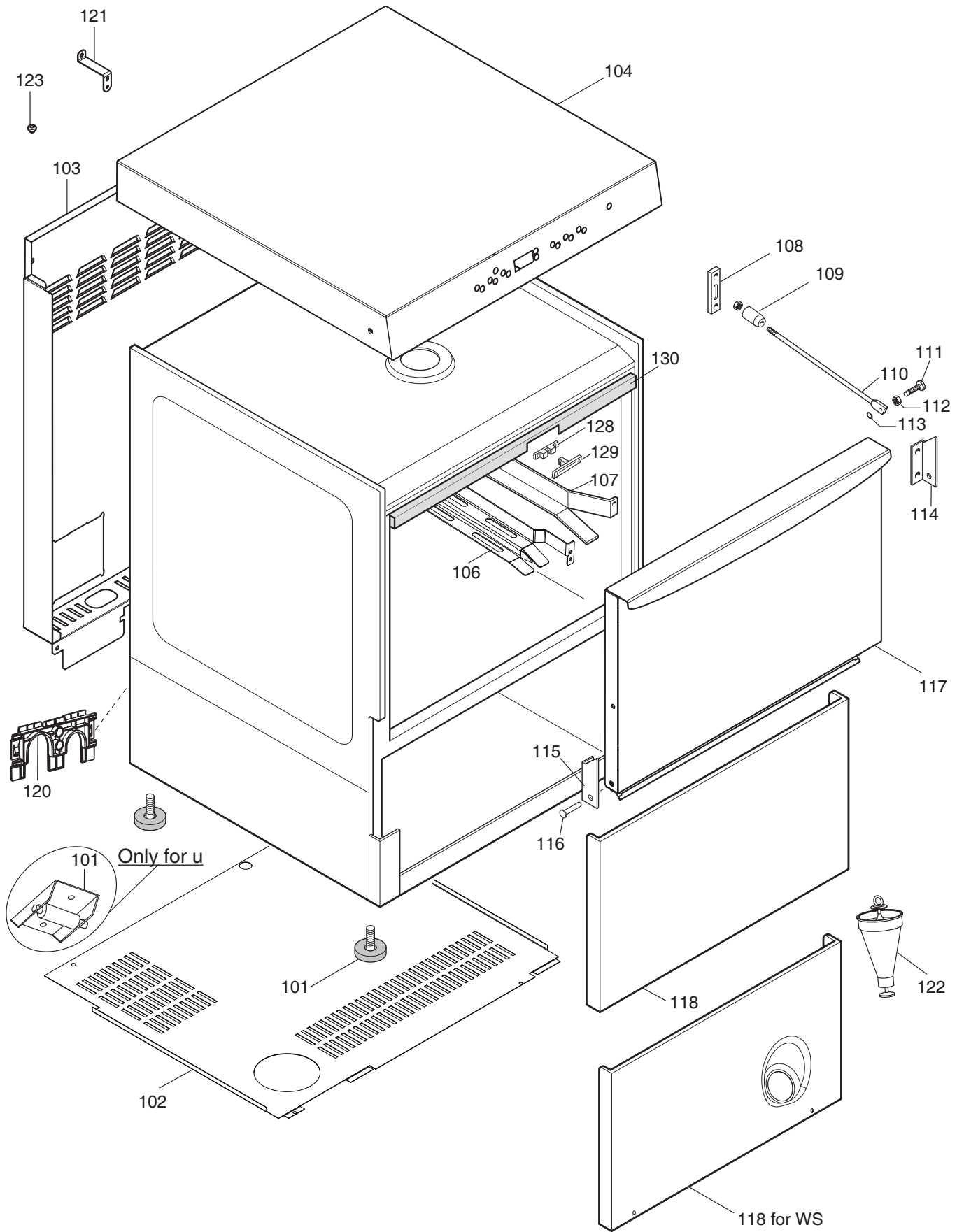
Main view
Hydraulic components
Pressurized plumbing circuit
Atmospheric plumbing circuit
Water softner hydraulic circuit
Electrical components
Spare parts list
Yearly maintenance KIT

Marchio/Brand:

Z - A - E

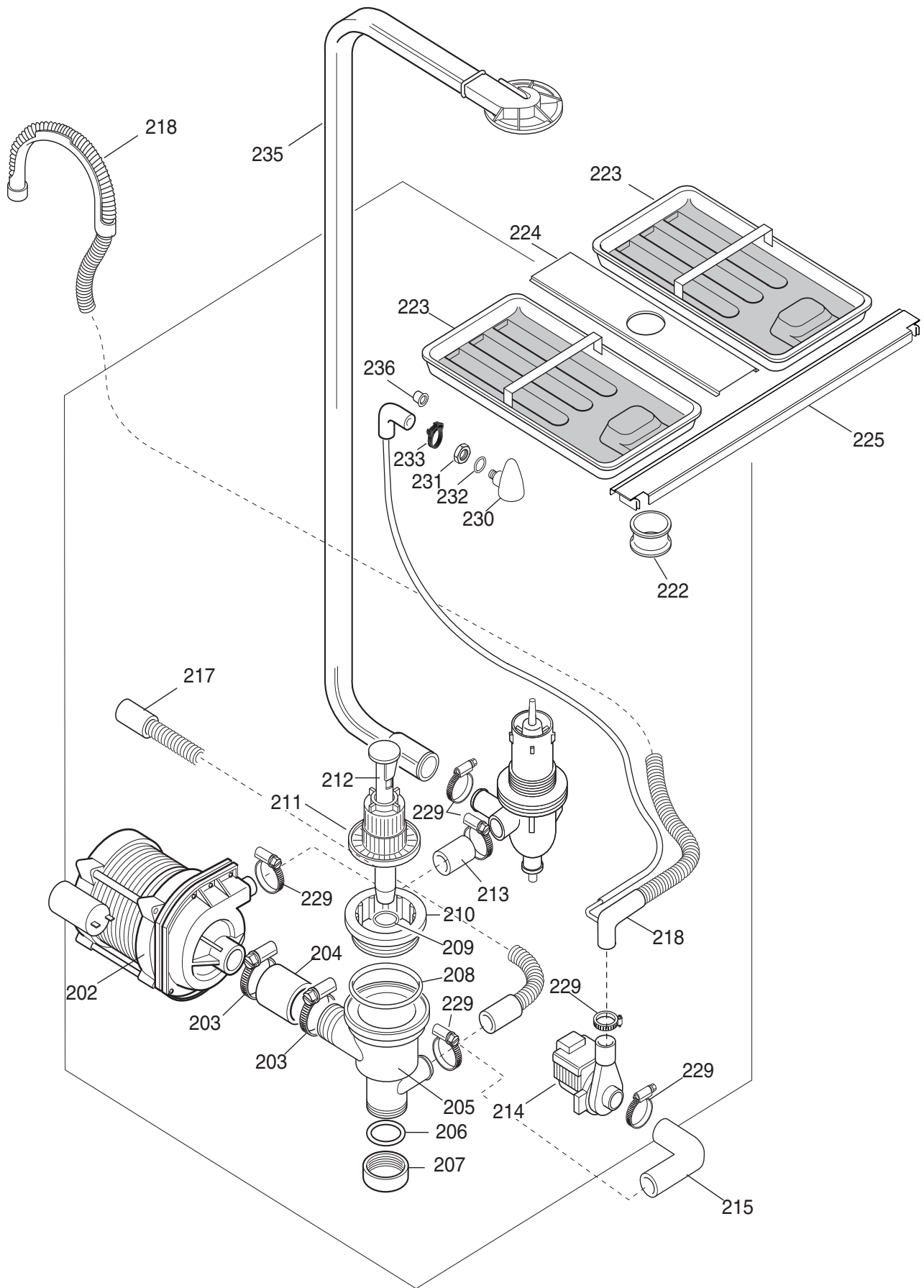
Paese/Country:

Tutti/All



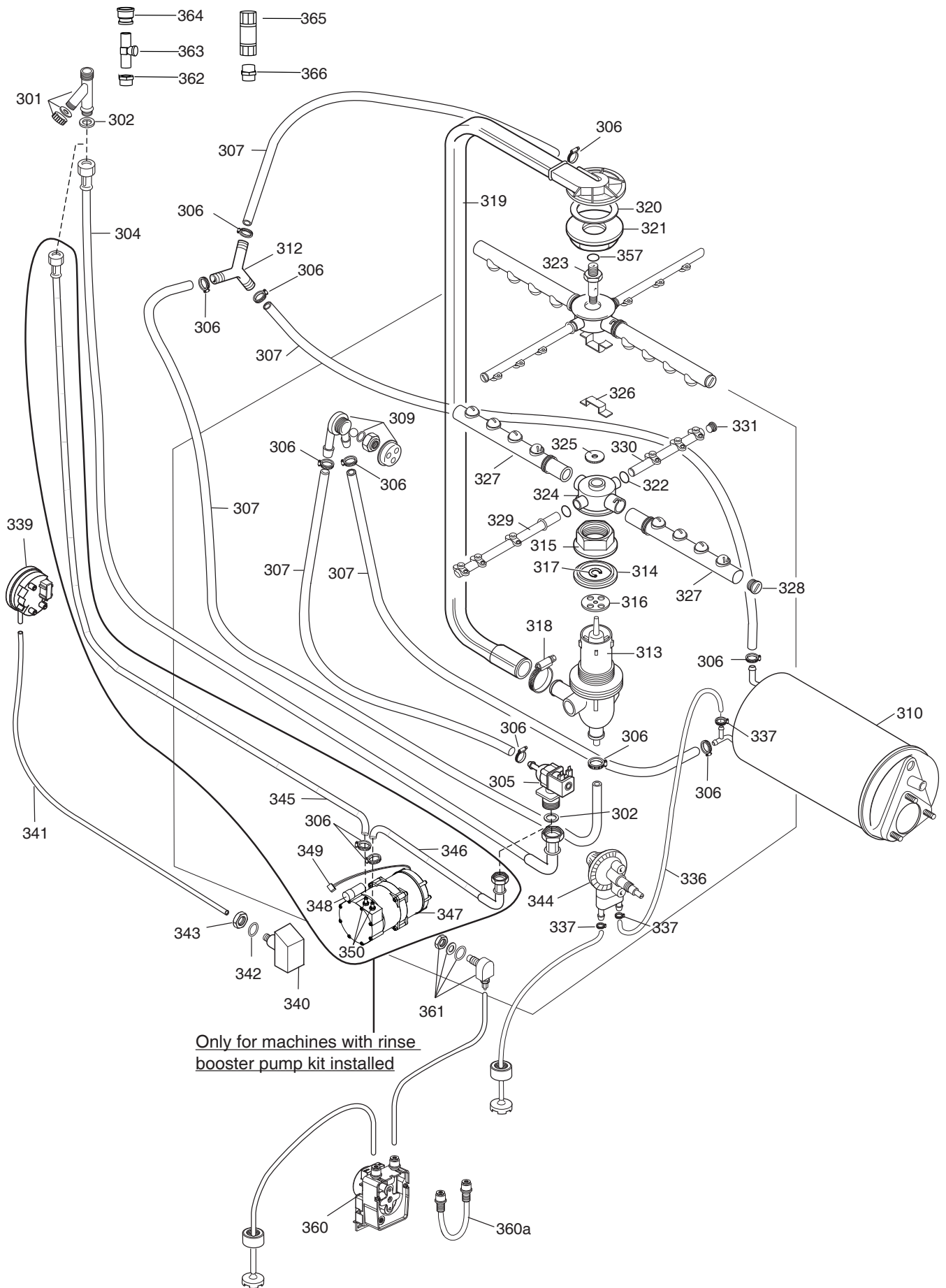
Vista generale / Main View

Doc. Nr.: 59566UY00	Ed. 2020.10 Updated 2021.06	Da Ser. Nr./ From Ser.nr.: ...
----------------------------	--------------------------------	--------------------------------



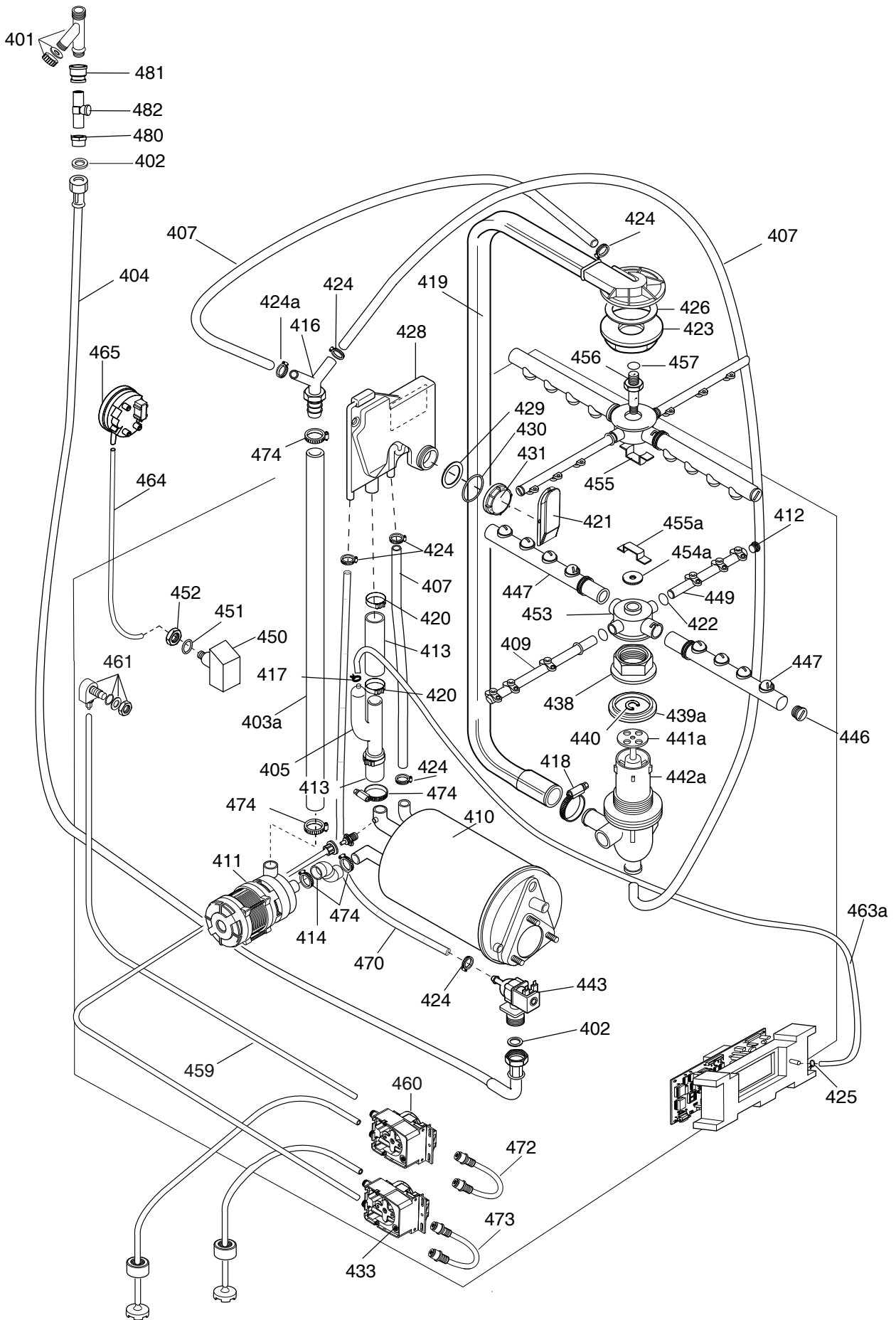
Componenti idraulici / Hydraulic components

Doc. Nr.: 59566UY00	Ed. 2020.10 Updated 2021.06	Da Ser. Nr./ From Ser.nr.: ...
----------------------------	--------------------------------	--------------------------------



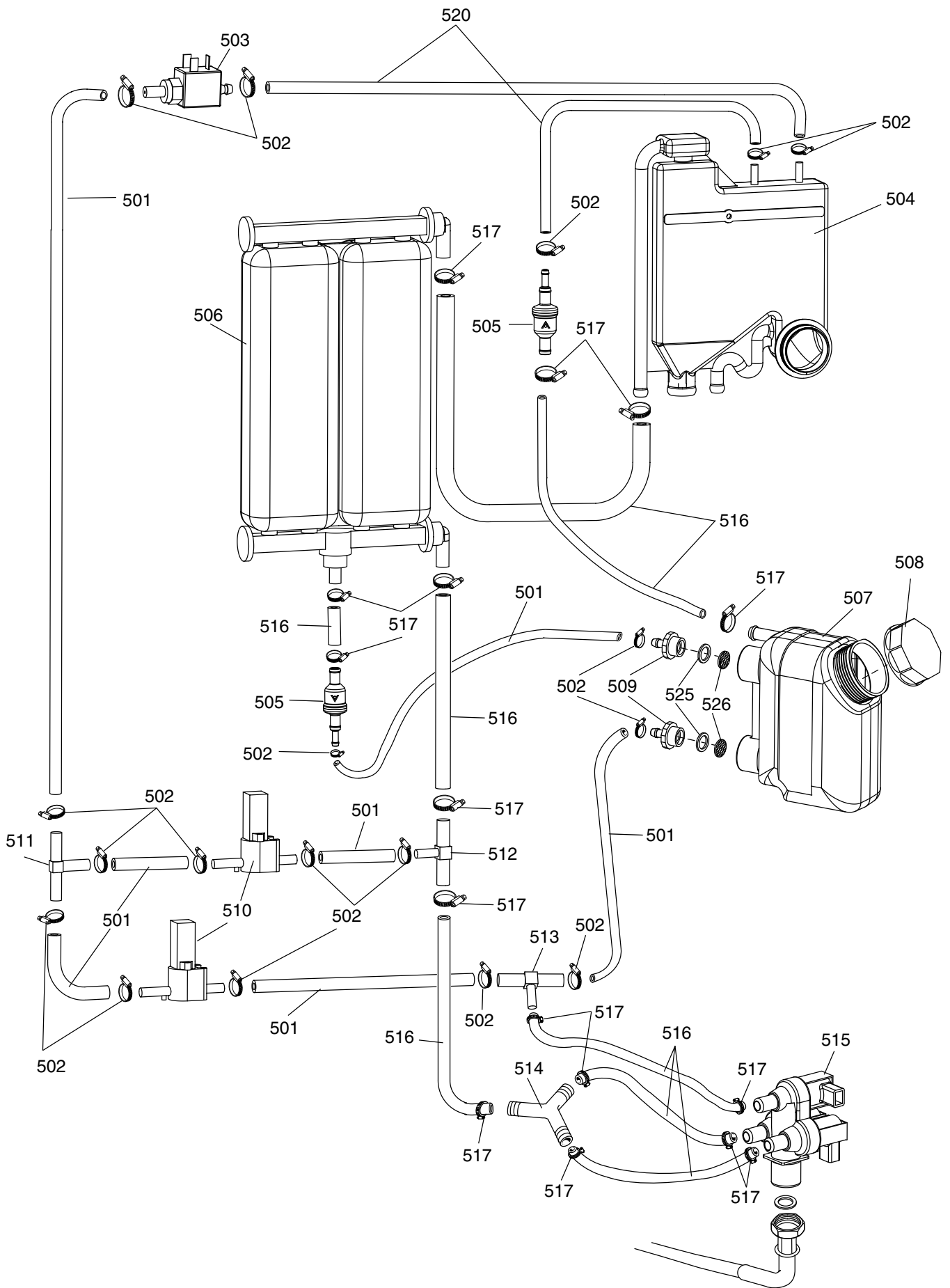
Circuito idraulico a pressione / Pressurized plumbing circuit

Doc. Nr.: 59566UY00	Ed. 2020.10 Updated 2021.06	Da Ser. Nr./ From Ser.nr.: ...
----------------------------	--------------------------------	--------------------------------



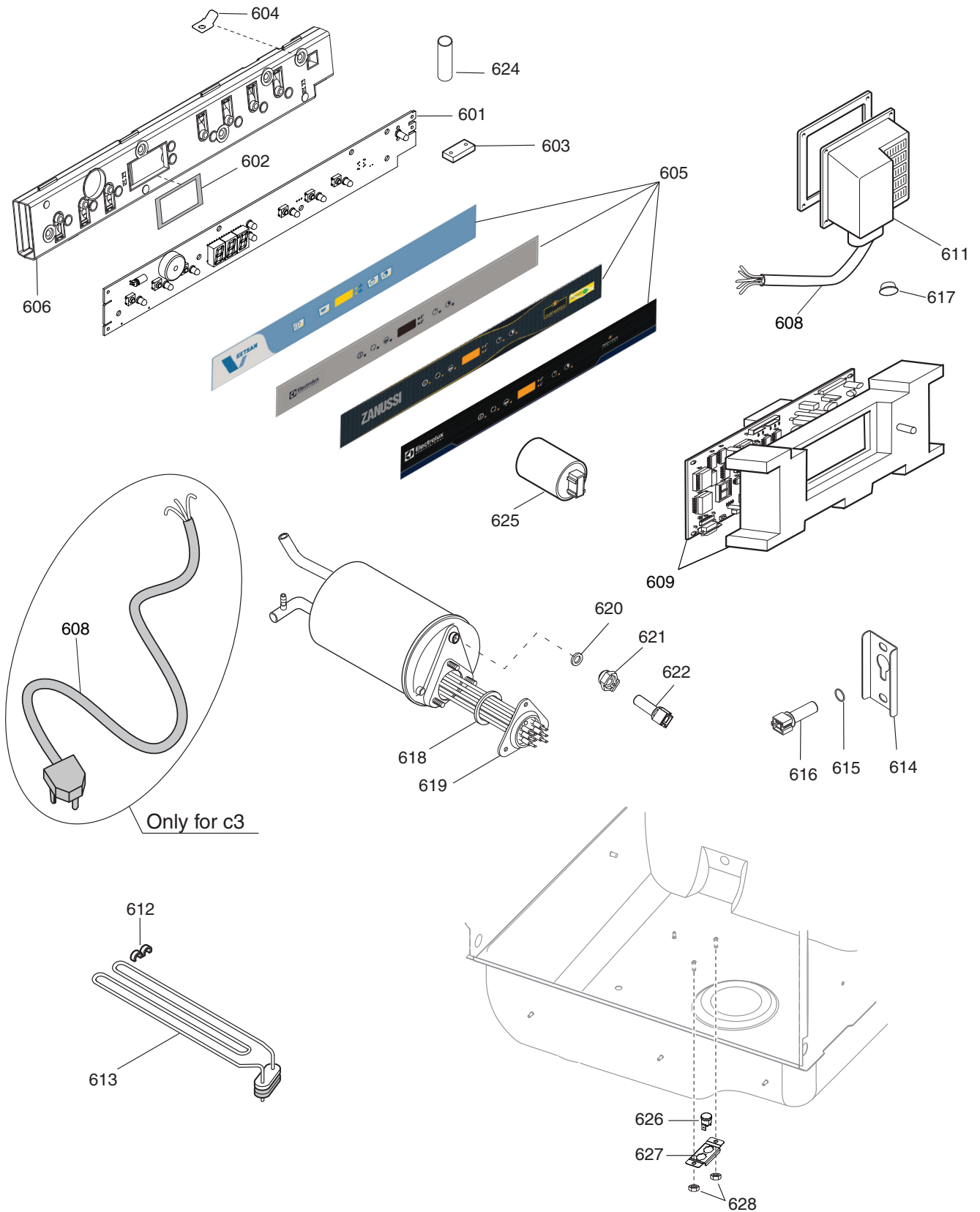
Circuito idraulico atmosferico / Atmospheric plumbing circuit

Doc. Nr.: 59566UY00	Ed. 2020.10 Updated 2021.06	Da Ser. Nr./ From Ser.nr.: ...
----------------------------	--------------------------------	--------------------------------



Circuito idraulico con addolcitore / Water softner hydraulic circuit

<p>Doc. Nr.: 59566UY00</p>	<p>Ed. 2020.10 Updated 2021.06</p>	<p>Da Ser. Nr./ From Ser.nr.: ...</p>
-----------------------------------	--	---------------------------------------



Componenti elettrici / Electrical components

Doc. Nr.: 59566UY00	Ed. 2020.10 Updated 2021.06	Da Ser. Nr./ From Ser.nr.: ...
----------------------------	--------------------------------	--------------------------------

**LAVASTOVIGLIE SOTTOTAVOLO NUC/ EUC/ KUC/ NUCA/ ZUCA/ FUCA/ EUCA
UNDERCOUNTER DISHWASHER NUC/ EUC/ KUC/ NUCA/ ZUCA/ FUCA/ EUCA**

**Grassetto = variazioni
Bold Print = changes**

Pos.	Cod. Ric. Part No.	Descrizione	Description	Note / Notes
		Pagina 3: Vista generale	Page 3: Main view	
101	048994	Piedino marine	Marine foot	j
101	049393	Piedino regolabile	Adjustable foot	
101	0L0118	Piede a rullo	Roller	u
102	0L2434	Fondo	Bottom panel	
103	0L4711	Schienale	Rear panel	Not for q,a5,b5,c4,e3
103	0L4712	Schienale	Rear panel	q,a5,b5,c4,e3
104	0L4746	Coperchio	Top panel	
106	0L2565	Supporto cesto destro	Right basket support	a,b,k,s,v,z
106	0L2566	Supporto cesto sinistro	Left basket support	a,b,k,s,v,z
107	0L2252	Supporto cesto sinistro	Left basket support	Not for a,b,k,s,v,z
107	0L2254	Supporto cesto destro	Right basket support	Not for a,b,k,s,v,z
108	049285	Placca	Plate	
109	049286	Ammortizzatore	Absorber	
110	049282	Tirante	Tie rod	
111	049283	Perno per tirante	Pin, for tie rod	
112	049372	Dado autobl. basso	Locking nut, flat	
113	049284	Anello seger	C-Clamp	
114	0L2253	Cerniera destra	Right hinge	
115	0L2251	Cerniera sinistra	Left hinge	
116	0L2255	Perno cerniera	Hinge pin	
117	0L4757	Assieme porta Electrolux	Electrolux door assembly	c,d,e,f,g,h,j,k,m,n,o,p,q,r,s,t,u,v, c7,c8,d2,d3,d4,d5,d6,e3
117	0L4758	Assieme porta Zanussi e To Brand	Zanussiand To Brand door assembly	b,w,x,y,z,a1,a2,a3,a4,a5,a6,a7, a8,a9,b1,b2,b3,b4,b5,b6,b7,b8, b9,c1,c2,c3,c4,c5,c6,d1,d7,d8, d9,e1,e2
117	0L4759	Assieme porta My Pro	My Pro door assembly	a
118	0L4749	Pannello frontale	Front panel	Not for WS models
118	0L1668	Pannello frontale	Front panel	For WS models
119	047551	Coperchio vaschetta	Container lid	
120	0L0112	Copertura passatubi	Hoses protection	
121	0L4750	Assieme staffetta fissaggio schienale	Rear panel junction	
122	047604	Misurino sale	Salt funnel	For WS models
123	0L0839	Piolo per aggancio pannelli	Pin for panels	
128	049271	Scrocchetto	Snap catch	
129	049536	Nasello	Door-stop	
130	0L0021	Guarnizione	Gasket	
		Pagina 4: Componenti idraulici	Page 4: Hydraulic components	
202	0L0126	Pompa Lavaggio	Wash pump	Not for t,r - 50Hz
202	0L0562	Pompa Lavaggio	Wash pump	g,j,r,t - 60Hz
203	0L0193	Fascetta 40-60	Hose clamp 40-60	
204	0L1374	Tubo aspirazione pompa	Pump hose	
205	048325	Coll. Asp. Scarico	Drain manifold	
206	049828	Guarniz. Tappo Ter. Sc.	Gasket	

**LAVASTOVIGLIE SOTTOTAVOLO NUC/ EUC/ KUC/ NUCA/ ZUCA/ FUCA/ EUCA
UNDERCOUNTER DISHWASHER NUC/ EUC/ KUC/ NUCA/ ZUCA/ FUCA/ EUCA**

**Grassetto = variazioni
Bold Print = changes**

Pos.	Cod. Ric. Part No.	Descrizione	Description	Note / Notes
207	046596	Tappo Terminale Sc.	Plug; for manifold	
208	049894	OR 4*110 Asp Sc.	O Ring	
209	046799	OR Troppo Pieno	O Ring	
210	048326	Ghiera collettore Asp. Sc.	Ring nut; for manifold	
211	048324	Filtro Aspirazione pompa	Filter; for pump	
212	048323	Troppo pieno	Overflow pipe	c,d,e,m,w,a1,a2,a6,a8,b2,b6,b8, d2,d4,d7,e1
212	048842	Troppo pieno	Overflow pipe	a,b,f,g,h,k,n,o,p,q,r,s,t,u,v,x,y,z,a3, a4,a7,a9,b1,b3,b3,b5,b7,b9,c1,c2, c3,c4,c5,c6,c7,c8,d1,d3,d5,d6,d8, d9,e2,3
213	0L0259	Tubo Gomma 37x52	Hose	
214	0L2133	Pompa scarico	Drain pump	50hz a,b,f,h,k,n,o,p,q,s,u,v,x,y,z,a3,a4, a7,a9,b1,b3,b4,b5,b7,b9,c1,c2, c3,c4,c5,c6,c7,d1,d3,d5,d6,d8, d9,e2,e3
214	0L2133	Pompa scarico	Drain pump	60hz g,r,t,c8
215	049877	Manicotto asp scarico	Coupling; drain	Not for j,m,a1,a2,a5,a6,b2,b8,d2, d4,d7,e1
217	0L4552	Tubo Scarico	Drain pipe	c,d,e,w,a1,a2,a6,a8,b2,b6,b8,d2, d4,d7,e1
218	049878	Tubo Scarico	Drain pipe	a,b,f,g,h,k,n,o,p,q,r,s,t,u,v,x,y,z, a3,a4,a7,a9,b1,b3,b4,b5,b7,b9, c1,c2,c3,c4,c5,c6,c7,c8,d1,d3, d5,d6,d8,d9,e2,3
222	0L0078	Supporto Filtro	Filter support	a,b,o,q,r,s,t,v,z,a5,a7,b5,c1, c4,c7,c8
223	049908	Filtro Vasca	Tank filter	a,b,o,q,r,s,t,v,z,a5,a7,b5,c1,c4,c7, c8
224	0L2431	Supporto Centrale filtri	Central support for filters	a,b,o,q,r,s,t,v,z,a5,a7,b5,c1,c4,c7, c8
225	0L2430	Supporto Anteriore filtri	Front support for filters	a,b,o,q,r,s,t,v,z,a5,a7,b5,c1,c4,c7, c8
229	046878	Fascetta 35-50	Hose clamp 35-50	
230	048853	Nasello per vasca	Spigot; air relief	
231	049268	Dado ES.M14X1,5	Nut; M14x1,5	
232	068642	OR 3062; 2,62X15,54	O Ring	
233	046946	Fasc. Torro. W2 8-12/7,5 IVP	Hose clamp 8-12	For WS products
233	0L3522	Fasc. in plastica con crichetto	Herbie Clip nylon hose clamp	Except for WS products
235	0L0125	Tubo Lavaggio	Wash pipe	
236	049849	Tappo ingresso det.	Plug inlet det.	Not for d1,d3,d5,d6,d8,d9,e2
Pagina 5: Circuito idraulico a pressione			Page 5: Pressurized plumbing circuit	Not for a,p,q,r,s,t,v,a5,a6,a7,b5, c1,c4,c7,c8,e3 and WS products
301	048834	Assieme filtro	Filter assembly	
302	0L1945	Guarnizione	Gasket	
304	0L1887	Tubo alimentazione	Supply pipe	
305	048817	Elettrovalvola	Electrovalve	
306	048126	Fascetta 13-20	Hose clamp 13-20	

**LAVASTOVIGLIE SOTTOTAVOLO NUC/ EUC/ KUC/ NUCA/ ZUCA/ FUCA/ EUCA
UNDERCOUNTER DISHWASHER NUC/ EUC/ KUC/ NUCA/ ZUCA/ FUCA/ EUCA**

**Grassetto = variazioni
Bold Print = changes**

Pos.	Cod. Ric. Part No.	Descrizione	Description	Note / Notes
307	048531	Tubo	Hose	
309	0L1892	Valvola DVGW, compl.	DVGW Valve, compl.	
310	0L0352	Boiler	Boiler	
310	0L1982	Boiler	Boiler	e
312	048195	Raccordo 3 vie	3 way connection	
313	049290	Supporto getti, inferiore	Jets support, lower	
314	048236	Guarnizione	Gasket	
315	048330	Ghiera, fiss. supporto getti	Ring nut, jets support locking	
316	048820	Parzializzatore	Flow reducer	
317	048979	Anello	O-ring	
318	046878	Fascetta 38-50	Hose clamp 38-50	
319	0L0125	Tubo collegamento getti	Connection pipe for wash jets	
320	0L0110	Guarnizione Supp. Getti Sup.	Gasket	Up to 2022/44
320	0L5221	Guarnizione Supp. Getti Sup.	Gasket	From 2022/45
321	048824	Ghiera	Ring nut	
322	047473	O-Ring 2056- 1,78x14,00	O-Ring	
323	049292	Perno, per supporto getti	Pin, for jets support	
324	049293	Assieme mozzo, per getti	Hub assembly, for jets	
325	047282	Rondella di fermo	Lock washer	
326	049294	Protezione rondella	Washer bracket	
327	049295	Assieme getto di lavaggio	Wash jet assembly	
328	049296	Tappo, per getti lavaggio	Plug, for wash jets	
329	049297	Getto risciacquo, lungo	Rinse jet, long	
330	049298	Getto risciacquo, corto	Rinse jet, short	
331	049299	Tappo, per getti risciacquo corti	Plug, for short rinse jets	
334	067292	Guarnizione	Gasket	
336	048883	Tubo	Pipe	
337	046946	Fascetta 8-12	Hose clamp 8-12	
339	049881	Pressostato	Pressure switch	
340	048308	Trappola d'aria per pressost.	Air trap	
341	049904	Tubo	Hose	
342	068642	OR 2062x15.54	O Ring	
343	049268	Dado M14x1.5	Nut; M14x1,5	
344	0L4295	Dosatore idraulico	Rinse aid dispenser	b,c,d,e,f,g,h,j,k,m,n,o,u,w,x,y,z, a1,a2,a3,a4,a8,a9,b1,b2,b3,b4, b6,b7,b8,b9,c2,c3,c5,c6,
345	0L2394	Tubo ingresso acqua	Water inlet pipe	Rinse booster pump kit
346	0L2389	Tubo uscita pompa	Pump outlet pipe	Rinse booster pump kit
347	0L2391	Pompa + condensatore	Pump + capacitor	Rinse booster pump kit
348	049126	Condensatore	Capacitor	8 µF - Rinse booster pump kit
349	0L2392	Cavetto di terra	Ground cable	Rinse booster pump kit
350	0L2393	Portagomma G 3/8" M	Fitting G 3/8" M	Rinse booster pump kit
	0L2390	(Pompa + condensatore) + cavetto di terra+portagomma	(Pump + capacitor) + ground cable + fitting	(pos. 347 + pos. 349 + pos. 350) Rinse booster pump kit
357	047986	O-Ring 2050 - 1,78x12,42	O-Ring	
360	0S2782	Pompa detergente	Pump; detergent	a,b,h,j,k,o,q,r,s,t,v,y,z,a2,a4,a5,a7, b1,b4,b5,b7,b9,c1,c2,c3,c4,c7,c8

Doc. Nr.: **59566UY00**

Ed. 2020.10
Updated 2023.04

Da Ser. Nr./ From Ser.nr.:

**LAVASTOVIGLIE SOTTOTAVOLO NUC/ EUC/ KUC/ NUCA/ ZUCA/ FUCA/ EUCA
UNDERCOUNTER DISHWASHER NUC/ EUC/ KUC/ NUCA/ ZUCA/ FUCA/ EUCA**

**Grassetto = variazioni
Bold Print = changes**

Pos.	Cod. Ric. Part No.	Descrizione	Description	Note / Notes
360a	0L5076	Tubicino pompa detergente	Detergent pump rubber hose	a,b,h,j,k,o,q,r,s,t,v,y,z,a2,a4,a5,a7, b1,b4,b5,b7,b9,c1,c2,c3,c4,c7,c8
361	049801	Iniettore detergente	Iniection spigot	b,h,j,k,o,y,a2,a4,b1,b4,b7,b9
362	0L0262	Riduzione M.3/4" - F.1/2"	Adapter M.3/4" - F.1/2"	h,y,b1,b7
363	0L0264	Valvola di non ritorno	No back-flow valve	h,y,b1,b7
364	0L0263	Manicotto F.3/4"- F.1/2"	Coupling F.3/4"- F.1/2"	h,y,b1,b7
365	0L2980	Doppia valvola di non ritorno	Double no back-flow valve	b,k,z
366	072457	Raccordo M.3/4" - M.3/4"	Coupling M.3/4"- M.3/4"	b,k,z
Pagina 6: Circuito idraulico atmosferico			Page 6: Atmospheric plumbing circuit	Only for a,p,q,r,s,t,v,a5,a6,a7,b5, c1,c4,c7,c8,e3 and WS products
401	048834	Assieme filtro	Filter assembly	
402	0L1945	Guarnizione	Gasket	
403	049773	Tubo Ø 26x37	Pipe Ø 26x37	660 mm
404	0L1887	Tubo alimentazione	Feed hose	
405	0L2849	Trappola d'aria	Air trap	
407	048531	Tubo	Hose	
409	049297	Getto risciacquo, lungo	Rinse jet, long	
410	0L0351	Boiler	Boiler	
411	0L2597	Pompa risciacquo	Rinse pump	Not for r,t- 50 Hz
411	0L2598	Pompa risciacquo	Rinse pump	r,t - 60 Hz
412	049299	Tappo per getti risciacquo	Pipe for rinse jet	
413	0L4453	Tubo Ø 25,5X32	Pipe Ø 25,5X32	
414	0L2064	Manicotto aspirazione	Suction hose	
416	0L0365	Raccordo 3 vie	3 way connection	
417	0L0083	Fascetta 9,3/9,9	Hose clamp 9,3/9,9	
418	046878	Fascetta 38-50	Hose clamp 38-50	
419	0L0125	Tubo collegamento getti	Connection pipe for wash jets	
420	047578	Fascetta Cobra	Hose clamp	
421	0L2560	Protezione ghiera	Guard ring nut	
422	047473	OR 2056- 1,78x14,00	O Ring	
423	048824	Ghiera	Ring nut	
424	048126	Fascetta 12-22	Hose clamp 12-22	
425	0L0082	Fascetta Ø 7,3/7,8	Hose clamp Ø 7,3x7,8	
426	0L0110	Guarnizione	Gasket	
428	0L2666	Air Gap	Air Gap	a,p,r,s,t,v,a6,a7,c1,c7,c8
428	0L2435	Air Gap UK	Air Gap UK	q,b5,c4,e3
428	0L2474	Air Gap	Air Gap	WS products
429	049828	Guarnizione	Gasket	
430	049460	OR 3212-2,62x53,65	O Ring	
431	049480	Ghiera per Air Gap	Air Gap nut	
433	0S2787	Pompa peristaltica brillantante	Pump; rinse aid	a,p,q,r,s,t,v,a6,a7,b5,c1,c4,c7, c8,e3 and WS products
438	048330	Ghiera, fiss. supporto getti	Ring nut, jets support locking	
439	048236	Guarnizione	Gasket	
440	048979	Anello seger	C-Clamp	

**LAVASTOVIGLIE SOTTOTAVOLO NUC/ EUC/ KUC/ NUCA/ ZUCA/ FUCA/ EUCA
UNDERCOUNTER DISHWASHER NUC/ EUC/ KUC/ NUCA/ ZUCA/ FUCA/ EUCA**

**Grassetto = variazioni
Bold Print = changes**

Pos.	Cod. Ric. Part No.	Descrizione	Description	Note / Notes
441	048820	Parzializzatore	Flow reducer	
442	049290	Supporto getti, inferiore	Jets support, lower	
443	0L3448	Elettrovalvola 10 l/min	Electrovalve 10 l/min	a,p,r,s,t,v,a6,a7,c1,c7,c8
443	0L3443	Elettrovalvola 5.5 l/min	Electrovalve 5.5 l/min	q,a5,b5,c4,e3
443	0L3444	Elettrovalvola	Electrovalve	For WS products
446	049296	Tappo, per getti lavaggio	Plug, for wash jets	
447	049295	Assieme getto di lavaggio	Wash jet assembly	
449	049298	Getto risciacquo, corto	Rinse jet, short	
450	048308	Trappola d'aria per pressost.	Air trap	
451	068642	OR 2062x15.54	O Ring	
452	049268	Dado M14x1.5	Nut; M14x1,5	
453	049293	Assieme mozzo, per getti	Hub assembly, for jets	
454	047282	Rondella di fermo	Lock washer	
455	049294	Protezione rondella	Washer bracket	
456	049292	Perno, per supporto getti	Pin, for jets support	
457	047986	O-Ring 2050 - 1,78x12,42	O-Ring	
459	0L1163	Tubo mandata; rigido	Delivery hose; rigid	
460	0S2782	Pompa peristaltica detergente	Pump; Detergent	a,q,r,s,t,v,a7,b5,c1,c4,c7,c8,d1, d6,d9,e2
461	049801	Iniettore detergente	Iniection spigot	a,q,r,s,t,v,a7,b5,c1,c4,c7,c8,d1, d6,d9,e2
463	072393	Tubo Ø 4x7,4	Hose Ø 4x7,4	
464	049904	Tubo	Hose	
465	049881	Pressostato	Pressure switch	
470	048531	Tubo EPDM 12x19.5	Hose 12x19.5	a,p,r,s,t,v,a6,a7,c1,c7,c8
470	049379	Tubo 12x19.5 WRC	Hose 12x19.5 WRC	q,b5,c4,e3
472	0L5076	Tubo; interno, pompa detergente	Hose; internal detergent pump	a,q,r,s,t,v,a7,b5,c1,c4,c7,c8,d1, d6,d9,e2
473	0L5079	Tubo; interno, pompa brill.	Hose; internal rinse aid pump	a,p,q,r,s,t,v,a6,a7,b5,c1,c4,c7, c8,e3 and WS products
474	047578	Fascetta Ø 25/40	Hose clamp Ø 25/40	
480	0L0262	Riduzione M.3/4" - F.1/2"	Adapter M.3/4" - F.1/2"	For WS products
481	0L0263	Manicotto F.3/4"- F.1/2"	Coupling F.3/4"- F.1/2"	For WS products
482	0L0264	Doppia valvola di non ritorno	Double check valve	For WS products
		Pagina 7: Circuito idraulico con addolcitore	Page 7: Water softener hydraulic circuit	For WS products
501	0L0265	Tubo d=8x15 mm	Hose d=8x15 mm	
502	0L0266	Fascetta torro 10-16/7,5	Hose clamp 10-16/7,5	
503	0L0267	Pompa a solenoide	Solenoid pump	
504	0L0268	Air Gap	Air Gap	
505	0L0269	Valvola di non ritorno	No back-flow valve	
506	0L0270	Addolcitore	Water softener	
507	0L0271	Boccia del sale	Salt container	
508	0L0272	Tappo boccia sale	Salt container cap	
509	049026	Portagomma	Pipeholder	
510	0L0273	Elettrovalvola a bassa pressione	Low pressure electrovalve	

**LAVASTOVIGLIE SOTTOTAVOLO NUC/ EUC/ KUC/ NUCA/ ZUCA/ FUCA/ EUCA
UNDERCOUNTER DISHWASHER NUC/ EUC/ KUC/ NUCA/ ZUCA/ FUCA/ EUCA**

**Grassetto = variazioni
Bold Print = changes**

Pos.	Cod. Ric. Part No.	Descrizione	Description	Note / Notes
511	0L0274	Raccordo a T TS7-7-7	T-connection TS7-7-7	
512	0L0275	Raccordo a T TRS10-6-10	T-connection TRS10-6-10	
513	0L0276	Raccordo a T TRS 8-12-8	T-connection TRS 8-12-8	
514	048195	Raccordo a 3 vie D.12 YS1	3 way connection D.12 YS1	
515	0L0260	Elettrovalvola	Electrovalve	
516	048531	Tubo	Hose	
517	048126	Fascetta 12-22	Hose clamp 12-22	
520	0L2661	Tubo	Hose	450mm
525	0L0119	O-Ring	O-Ring	
526	049022	Filtro portagomma	Pipeholder filter	
		Pagina 8: Componenti elettrici	Page 8: Electrical components	
601	0L4473	Interfaccia utente	User Interface	
602	0L1943	Guarnizione display	Display gasket	
603	0L1871	Sensore reed	Sensor	
604	0L4744	Connettore	Connector	
605	0L4716	Membrana Zanussi	Zanussi membrane	a6,a7
605	0L4717	Membrana Electrolux 264 L	Electrolux membrane 264 L	c,d,e,f,g,h,j,k,m,n,o,u
605	0L4718	Membrana neutra WS	WS neutral membrane	d1,e1
605	0L4719	Membrana neutra 266L	Neutral membrane 266 L	a8,a9,b1,b2,b3,b4,b5,c5,c6
605	0L4727	Membrana Electrolux 256 L	Electrolux membrane 256 L	p,s,t,v,c7,c8,e3
605	0L4731	Membrana Zanussi WS	WS Zanussi membrane	d7,d8,d9
605	0L4732	Membrana Zanussi a pressione	Pressurized Zanussi membrane	w,x,y,z,a1,a2,a3,a4
605	0L4733	Membrana Zanussi atmosferica	Atmospheric Zanussi membrane	a5
605	0L4734	Membrana Electrolux WS	WS Electrolux membrane	d2,d3,d4,d5,d6
605	0L4735	Membrana Electrolux	Electrolux membrane	q,r
605	0L4736	Membrana adesiva Caterwash	Caterwash stick membrane	c2,c3,c4
605	0L4739	Membrana Veetsan	Veetsan Membrane	b,b6,b7,b8,b9
605	0L4740	Membrana Veetsan Star WS	WS Veetsan Star Membrane	e2
605	0L4741	Membrana Veetsan Star	Veetsan Star Membrane	c1
605	0L4743	Membrana My Pro	My Pro Membrane	a
606	0L1567	Copertura interfaccia utente	User interface cover	
608	0L2055	Cavo H07RNF 3x2,5MMQ	Cable H07RNF 3x2,5MMQ	b,c,d,e,f,g,h,k,w,x,y,a8,a9,b1,b6, b7,c2,c3,c5
608	0L0024	Cavo H07RNF 3x2,5MMQ	Cable H07RNF 3x2,5MMQ	p,d2
608	0L2432	Cavo H07RNF 3x6MMQ	Cable H07RNF 3x6MMQ	q,z,b5,c4
608	0L0026	Cavo H07RNF 4x2,5MMQ	Cable H07RNF 4x2,5MMQ	r,t
608	0L0025	Cavo H07RNF 5x2,5MMQ	Cable H07RNF 5x2,5MMQ	a,m,n,o,s,u,v,a1,a2,a3,a4,a6,a7, b2,b3,b4,b8,b9,c1,c6,c7,d1,d7, d8,d9,e1,e2
608	0C3632	Cavo H07RNF 3x2,5MMQ	Cable H07RNF 3x2,5MMQ	c3
608	0C2192	Cavo plug in 230V TYPE S3	Plug in cable 230V TYPE S3	e3 (SCHUKO)
609	0L3720	Scheda madre	Main board	a,p,q,r,s,t,v,a5,a6,a7,b5,c1,c4,c7, c8,e3
609	0L2582	Scheda madre	Main board	b,c,d,e,f,g,h,j,k,m,n,o,u,w,x,y,z, a1,a2,a3,a4,a8,a9,b1,b2,b3,b4, b6,b7,b8,b9,c2,c3,c5,c6
609	0L2583	Scheda madre	Main board	For WS products

Doc. Nr.: **59566UY00**

Ed. 2020.10
Updated 2023.04

Da Ser. Nr./ From Ser.nr.:

**LAVASTOVIGLIE SOTTOTAVOLO NUC/ EUC/ KUC/ NUCA/ ZUCA/ FUCA/ EUCA
UNDERCOUNTER DISHWASHER NUC/ EUC/ KUC/ NUCA/ ZUCA/ FUCA/ EUCA**

**Grassetto = variazioni
Bold Print = changes**

Pos.	Cod. Ric. Part No.	Descrizione	Description	Note / Notes
611	0L0127	Morsettiera Princ. Monofase	Junction box	b,c,d,e,f,g,h,k,p,w,x,y,a8,a9,b1, b6,b7,c2,c3,c5,d2,e3
611	0L0111	Morsettiera Princ. Trifase	Junction box	a,m,n,o,q,r,s,t,u,v,z,a1,a2,a3,a4, a6,a7,b2,b3,b4,b5,b8,b9,c1,c4, c6,c7,c8,d1,d4,d7,d8,d9,e1,e2,
612	048429	Fissaggio Res. Vasca	Bracket	
613	0L2109	Res. Vasca 2000W-230V	Heating element; 230v, 2,0kw	Not for a,r,s,t,v,a7,c7,c8
613	0L2439	Res. Vasca 2000W-230V	Heating element; 230v, 2,0kw	a,r,s,t,v,a7,c1,c7,c8
614	0L0366	Supp Sensore	Support; sensor	
615	0L2303	OR 2037	O Ring	
616	049643	Sensore NTC	Sensor	
617	0L3368	Tappo morsettiara	Barrel Plug	c3
618	0L4798	OR 6187 D=5.33MM	O Ring	
619	0L2652	Res. Flangiata 4500W 230V	Heating element 4,5KW 230V	h,m,n,o,q,u,y,a1,a2,a3,a4,a5,a6, b1,b2,b3,b4,b5,b7,b8,b9,c4,c6, d1,d4,d5,d6,d7,d8,d9,e1,e2
619	0L2770	Res. Flangiata 4500W 230V	Heating element 4,5KW 230V	a,r,s,t,v,a7,c1,c7,c8
619	049980	Res. Flangiata 2800W 230V	Heating element 2,8KW 230V	c,d,e,f,g,p,w,x,z,a8,a9,b6,c2,c3, c5,d2,e3
619	0L2652	Res. Flangiata 4500W 230V	Heating element 4,5KW 230V	c3 (connect only one heating element leg)
620	0L2303	OR 2037	O Ring	
621	0L0280	Premistoppa	Stuffing box	
622	049643	Sonda di Temperatura	Temp. sound	
624	0L3881	Filtro antidisturbo	Noise suppressor filter	
625	049901	Filtro induttivo-cap.; monofase	Filter; single phase	a,m,n,o,q,r,s,t,u,v,z,a1,a2,a3,a4, a6,a7,b2,b3,b4,b5,b8,b9,c1,c4, c6,c7,c8,d1,d4,d7,d8,d9,e1,e2,
626	0L2895	Klixon	Klixon	
627	0L2894	Supporto klixon	Klixon support	
628	0C8219	Dado M5	M5 Nut	
690	63868KC00	Cablaggio	Wiring harness	m,n,o,q,r,a1,a2,a3,a4,a5,a6,b2, b3,b4,b5,b8,b9,c4,c6,d1,d4,d5, d6,d7,d8,d9,e1,e2
690	0L5291	Cablaggio	Wiring harness	b,c,d,e,f,g,h,j,k,p,w,x,y,z,a8,a9,b1, b6,b7,c2,c3,c5,d2,d3
690	63868KK00	Cablaggio	Wiring harness	a,r,s,t,v,a7,c1,c7,c8
690	0L0464	Cablaggio aggiuntivo	Additional wiring harness	For salt container (WS products)
690	0L2458	Cablaggio aggiuntivo	Additional wiring harness	For salt pump module (WS products)

**LAVASTOVIGLIE SOTTOTAVOLO NUC/ EUC/ KUC/ NUCA/ ZUCA/ FUCA/ EUCA
 UNDERCOUNTER DISHWASHER NUC/ EUC/ KUC/ NUCA/ ZUCA/ FUCA/ EUCA**

**Grassetto = variazioni
 Bold Print = changes**

Pos.	Cod. Ric. Part No.	Descrizione	Description	Note / Notes
	0L4685	YEARLY MAINTENANCE KIT		
Qty	Code	Description		Note
1	047578	CLAMP; 26-38		
1	048126	CLIP; 13-20		
1	048845	DRAIN HOSE		
1	049460	O-RING; ØI=53,65MM; ØE=58,89MM		
1	049480	RING NUT; FOR AIR GAP		
1	049643	TEMPERATURE PROBE		
1	049828	GASKET D.EXT 59.5-D.INT 50-SP1.5		
1	0L0098	AIR TRAP; BOILER		
1	0L0481	TUBE; L=2660 MM; ØE=6 MM; BLU		
1	0L1163	HOSE; ØI=4,3MM; ØE=6MM; L=2660MM; GREY		
2	0L2303	O-RING; DIA.9,25X1,78		Quantity in BOM from 1 to 2
1	0L2666	AIR GAP		
1	0L3447	SOLENOID VALVE; 220/240V 50/60HZ;5L/MIN.		
1	0L5076	RUBBER HOSE		
1	0L5078	RUBBER HOSE RINSE		
1	049643	TEMPERATURE PROBE		New component in BOM

Electrolux Professional SpA
Viale Treviso, 15
33170 Pordenone, ITALY
Fax (+39) 0434 380 201
<https://www.electroluxprofessional.com>
<https://webgate.electroluxprofessional.com>