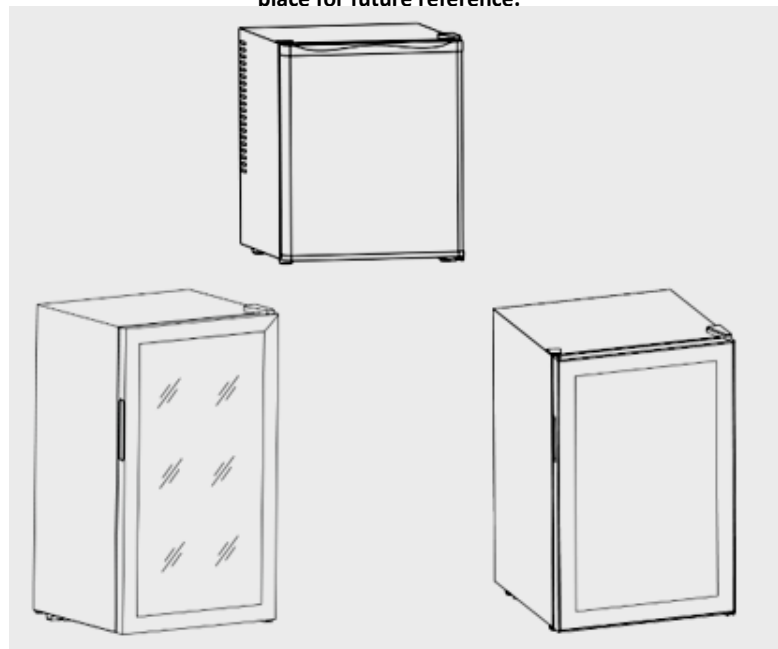


CATER-COOL

CATER-COOL COMMERCIAL BOTTLE COOLER INSTALLATION USE & SERVICE MANUAL

Please read this manual carefully prior to use & keep it in a convenient place for future reference.



APPLIES TO CK5085, CK5115 & CK7035.

Thank you for purchasing our Cater-Cool Bottle Cooler. To ensure proper operation of this cooler, please read the instruction manual carefully before use and please keep near the product.

CATERKWIK, The Lakeland Catering Centre, Newlands, Ulverston, Cumbria, LA12 7 QQ. Tel: 01229 480001 | Email: INFO@CATERKWIK.CO.UK

CATER-KWIK LTD

Internet Prices With Traditional Service Est. 1994

CONTENTS:

Important Safety Instructions.....3
Wiring Diagram.....4
Technical Data.....4
Parts & Features.....5
Installation Instructions.....6
Operation.....7
Troubleshooting.....8
Notes.....9

CATER-KWIK LTD

Internet Prices With Traditional Service Est. 1994

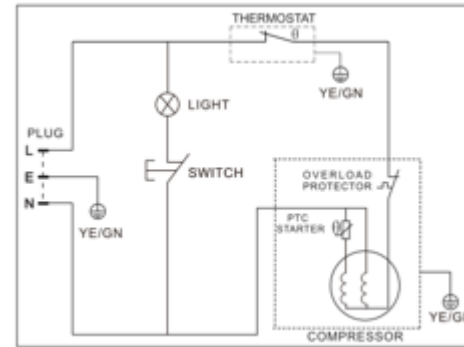
IMPORTANT SAFETY INSTRUCTIONS

To reduce the risk of fire, electrical shock or injury when using your appliance, follow these basic precautions:

READ ALL INSTRUCTIONS BEFORE USING THE APPLIANCE.

- If the supply cord is damaged, it must be replaced by the manufacturer, a service agent or similarly qualified persons.
- This appliance is not intended for use by persons (including children) with reduced physical, sensory or mental capabilities, or lack of experience and knowledge, unless supervised or instruction concerning use of the appliance by a person responsible for their safety.
- Children should be supervised to ensure that they do not play with the appliance.
- To avoid hazards due to instability of the appliance, it must be fixed in accordance with the installation instructions.
- Do not store explosive substance such as aerosol cans with a flammable propellant inside the appliance.
- For appliance which use flammable insulation blowing gases, the instructions shall include information regarding disposal of the appliance.
- The lamp should be changed by professionals.

WIRING DIAGRAM:

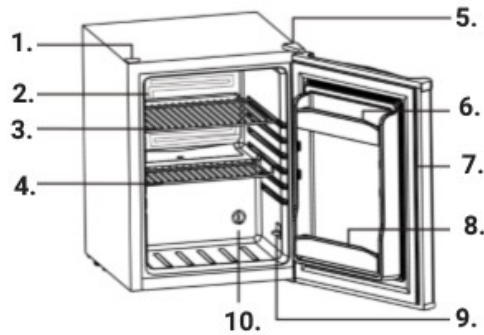


TECHINICAL DATA

MODEL	CK7035	CK5085	CK5115
VOLUME	35L	85L	115L
RATED VOLTAGE	220-240V-	220-240V-	220-240V-
RATED CURRENT	0.5A	0.65A	0.5A
REFRIGERANT	R600a (17g)	R600a (20g)	R600a (17g)
ENERGY CONSUMPTION	0.3kWh/24h	0.279kWh/24h	0.307kWh/24h
LAMP POWER	1W	10W	1W
CLIMATE CLASS	N;SN;ST;T	N;SN;ST;T	N;SN;ST;T
FOAMING GAS	Cyclopentane	Cyclopentane	Cyclopentane
NET DIMENSIONS (MM)	405x535x545	474x440x840	540x539x845
PACKED DIMENSIONS (MM)	460x490x585	410x470x880	598x583x885
NET WEIGHT (KG)	14.5	23.0	32.0
GROSS WEIGHT (KG)	16.5	28.0	35.0

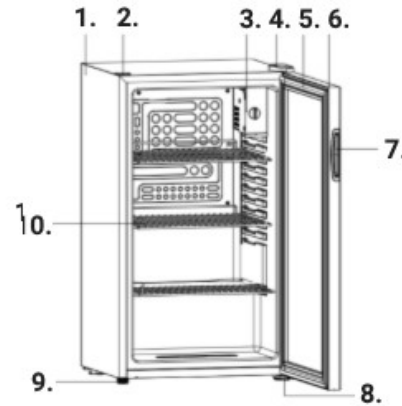
PARTS & FEATURES:

CK7035 40LTR MINI BAR COOLER



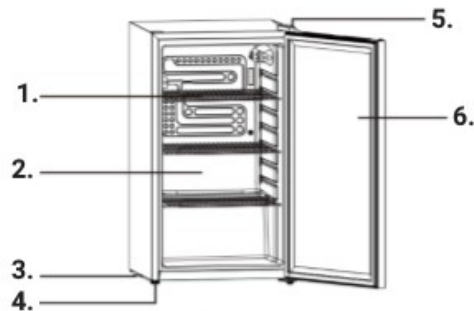
1. Flat head hinge.
2. Evaporator.
3. Large shelf.
4. Small shelf.
5. Hinged cover.
6. Door shelf.
7. Door seal.
8. Door shelf.
9. Light switch.
10. Bottom hinge.

CK5085 SINGLE DOOR BOTTLE COOLER



1. Cabinet.
2. Flat hinge.
3. Temperature control.
4. Hinged cover.
5. Door seal.
6. Glass door.
7. Handle.
8. Bottom hinge.
9. Adjustable feet.
10. Shelf.

CK5115 SINGLE DOOR BOTTLE COOLER



1. Shelf.
2. Additional storage space for larger bottles.
3. Bottom plate.
4. Leg.
5. Hinged cover,
6. Refrigerator glass fronted door.

INSTALLATION INSTRUCTIONS

- This appliance is designed to be free standing only, and should not be recessed or built-in.
- Place your unit on a floor that is strong enough to support the unit when it is fully loaded. To level your unit, adjust the levelling legs at the bottom of the unit.
- This appliance is NOT designed to be installed inside of a cabinet where the front is covered by any type of door.
- Allow 7cm of space between the top, back and sides of the unit, which allows the proper air circulation to cool the compressor and condenser
- Locate the unit away from direct sunlight and source of heat (stove, heater, radiator etc.)
- Direct sunlight may affect the acrylic coating and heat sources may increase electrical consumption. Extreme cold ambient temperatures may also cause the unit not to perform properly.
- Avoid locating the unit in moist areas.
- Plug the unit into an exclusive, properly installed-grounded wall outlet. Do not under any circumstances cut or remove the third (ground) prong from the power cord. Any questions concerning power and/or grounding should be directed toward a certified electrician or an authorised Avanti Products service centre.
- After plugging the appliance into a wall outlet, allow the unit to cool down for 2-3 hours before placing food in the appliance compartment.

Please remember to keep some water in the cabinet to keep the humidity.

Disposal:

To prevent possible harm to the environment or human health from uncontrolled waste disposal, recycle it responsibly to promote the sustainable reuse of material resources. Disposal should only be done through public collection points.

Installation:

Appliance should be placed on a horizontal floor and with clearance for ventilation. Don't try to replace or repair any components by yourself, ask the service agency for help if necessary. Always handle the appliance with care to avoid damaging the unit.

OPERATING YOUR UNIT

SETTING THE TEMPERATURE CONTROL:

- Your unit has only one control for regulating the temperature in the cabinet. The temperature control is located at the lower right hand side of the compartment.
- The first time you turn the unit on, set the temperature control to "5".
- The range of the temperature control is from "0" to "5". After 24 to 48 hours, adjust the temperature control to the setting that best suites your needs.
- To turn the appliance off, turn the temperature control to "0".

NOTE:

- Turning the temperature control to "0" position stops the cooling cycle but does not shut off the power to the unit.
- If the unit is unplugged, has lost power, or is turned off, your must water 3 to 5 minutes before restating the unit. If you attempt to restart before this time delay, the unit will not start.

ENERGY SAVING TIPS:

- The unit should be located in the coolest area of the room, away from heat producing appliances, and out of direct sunlight.
- Let hot foods cool to room temperature before placing in the unit. Overloading the unit forces the compressor to run longer.
- Be sure to wrap foods properly and wipe containers dry before placing them in the unit. This cuts down on frost build-up inside the unit.
- Unit storage bin should not be lined with aluminium foil , wax paper or paper towelling. Liners interfere with the cold air circulation, making the unit less efficient.
- Organise and label food to reduce door opening and extended searches. Remove as many items as needed at one time, and close the door as soon as possible.

TROUBLESHOOTING GUIDE

You can solve many common unit problems easily, saving you the cost of a possible service call. Try the suggestions below to see if you can solve the problem before calling the servicer.

PROBLEM	POSSIBLE CAUSE
Unit does not operate.	Not plugged in. The circuit breaker tripped or a blown fuse. The unit temperature control is set at "0".
Turns on and off frequently.	The room temperature is hotter than normal. A large amount of food has been added to the unit. The door is opened too often. The door is not closed completely. The temperature control is not set correctly. The door gasket does not seal properly. The unit does not have the correct clearances.
Vibrations.	Check to assure that the unit is level.
The unit seems to make too much noise.	The rattling noise may come from the flow of the refrigerant which is normal. As each cycle ends, you may hear gurgling sounds caused by the flow of refrigerant in your unit. Contraction and expansion of the inside walls may cause popping and crackling noises. The unit is not level.
The door will not close properly.	The unit is not level. The door was reversed and not properly installed. The gasket is dirty or bent. The shelves, bins or baskets are out of position.

NOTES



**CATERKWIK, The Lakeland Catering Centre,
Newlands, Ulverston, Cumbria, LA12 7 QQ.**

Tel: 01229 480001 | Email: INFO@CATERKWIK.CO.UK



CATER-KWIK LTD

Internet Prices With Traditional Service Est. 1994