



CK8017 Ribbed Top Double Contact Grill - Specification



Variable heat control.



Power & temperature ready indicator.



Ribbed top & flat bottom.

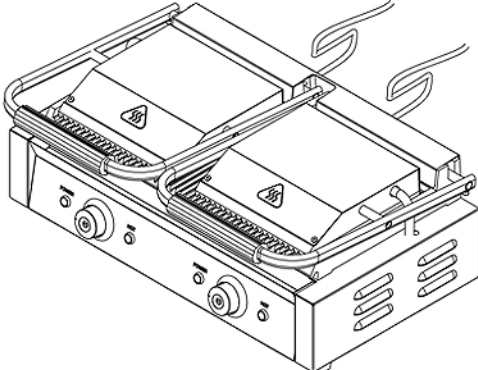
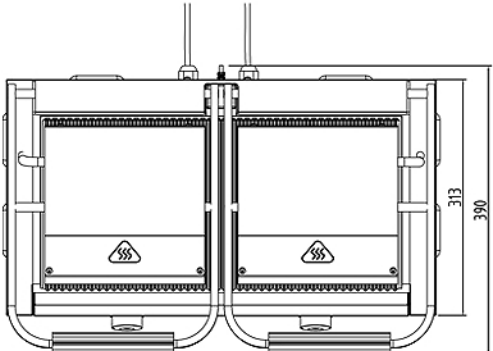
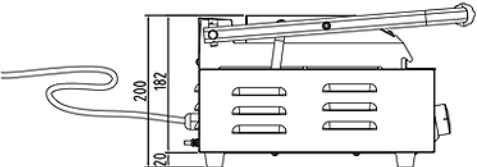
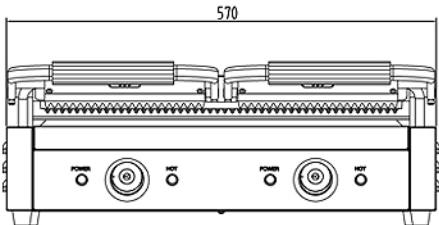


Easy to remove & clean waste tray.



2 x 13 amp plug in.

Open Dimensions	W570 x D310 x H510mm
Closed Dimensions	W570 x D310 x H200mm
Electric Connection	230V/ 50Hz
Electric Load	4.4kW 2 x 13 amp plug
Exterior	Stainless Steel
Cooking Plates	Cast Iron
Weight	30kg



Caterkwik Ltd

The Lakeland Catering Centre
Newlands
Ulverston
Cumbria
LA12 7QQ

01229 480001

info@caterkwik.co.uk

