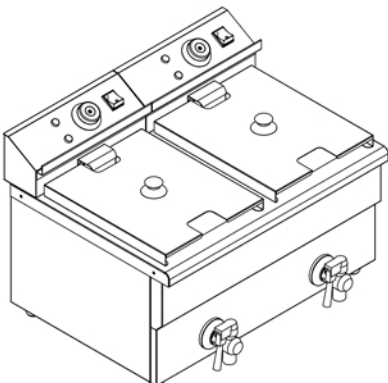
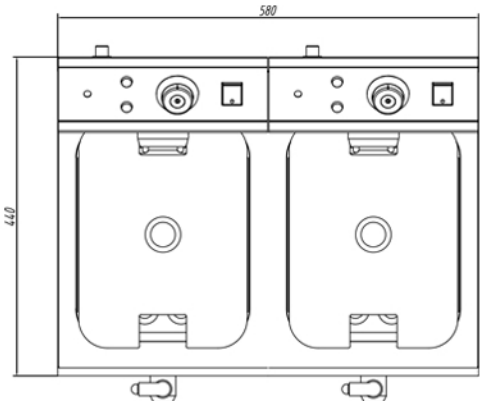
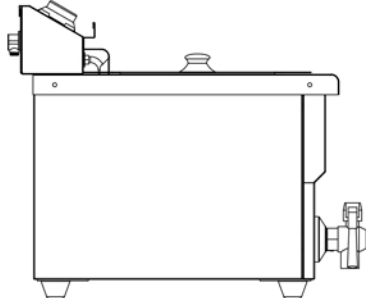
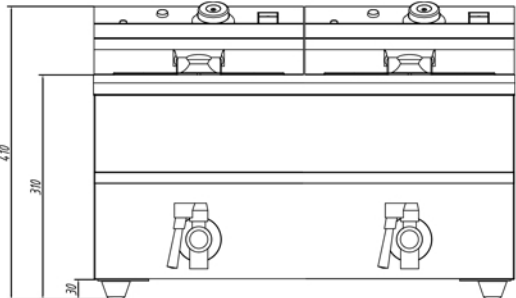


CK8312-2 Twin Tank 12 Ltr Fryer with Taps - Specification



- Precise thermostatic control.
- Heavy duty heating element.
- 6kW, 220V/50Hz requires hardwiring.
- Drain tap to safely drain oil.

External Dimensions	W580 x D440 x H410mm
Fry Tank Dimensions	W240 x D300 x H195mm
Fryer Basket Dimensions	W140 x D200 x H120mm
Capacity	6 Litres (per tank)
Temperature Range	+50 / +190 °C
Interior/ Exterior	Stainless Steel



Caterkwik Ltd

The Lakeland Catering Centre
 Newlands
 Ulverston
 Cumbria
 LA12 7QQ

01229 480001

info@caterkwik.co.uk

