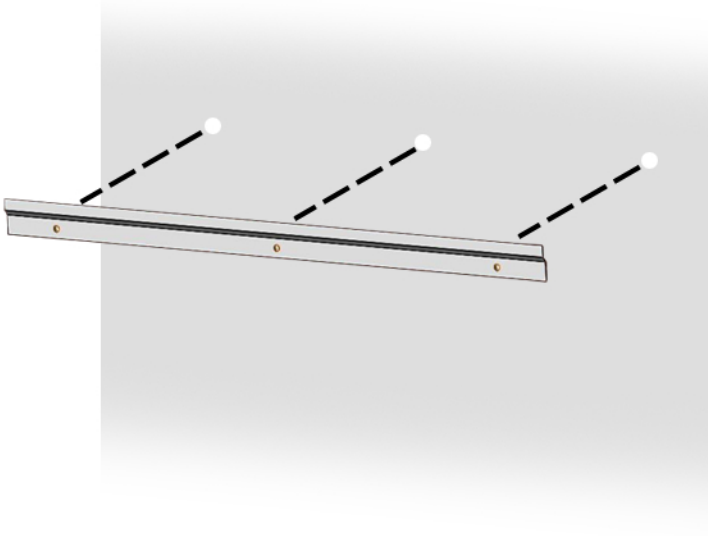


Stainless Steel Wall Cupboard - Assembly Instructions

How To Assemble

Step 1

Measure and pre-drill holes in the wall for the provided wall bracket.



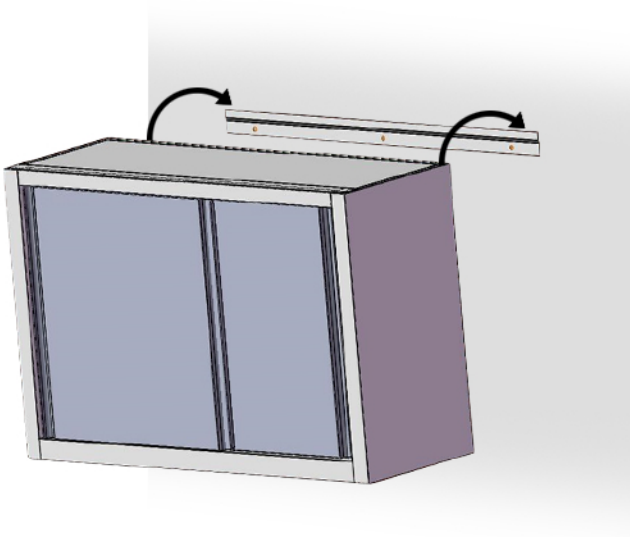
Step 2

Mount the wall bracket securely to the wall.



Step 3

Taking care, mount the cupboard to the bracket.



Step 4

Your stainless steel wall cupboard is now installed.

