



MODEL:

WS3-KVS

BASIX

manufactured by **MECHLINE**

BaSix WS3 Hand Wash Station. 'Push-Front', Hands-Free mechanical operation. Includes fixed spout, M-MX91 manual mixer, water hose & tap hole stopper

Dimensions: O/D: 300 x 320 x 195mm Bowl: 260 dia x 150mm deep

Manufacturer: Mechline Developments Limited.

Brand: BaSix.

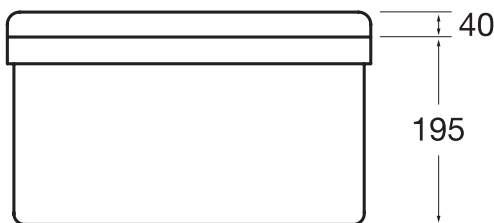
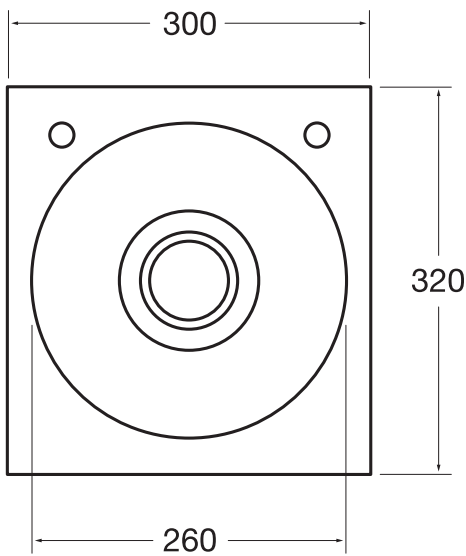
Model Range: WS3

Controls: Hands-Free.

Tap Type: Push-Front.

FEATURES & BENEFITS

- Range of hygienic hand washing solutions.
- Helps operations meet their requirement to provide hand-washing stations on site.
- Good and safe habits are more easily followed and enforced.



MAINTENANCE & CLEANING

Cleaning chrome: Do not use abrasive, chlorine or acid-based cleaning products. Avoid contact with concentrated bleach.

Clean with soapy water using a cloth or sponge.

Dimensions are in millimeters. If a CAD file is required please visit www.mechline.com.



MECHLINE

MECHLINE DEVELOPMENTS LIMITED

Tel: +44 (0)1908 261511 | Email: info@mechline.com | Web: www.mechline.com