

MODEL: **AquaTechnix TX-PR-30L-ST-BF2**



AQUATECHNIX

AquaTechnix Pre-Rinse Spray. LEVER operated TX-PR-30L base / STANDARD height / BF2 bowl filler H: 1187mm

Model range: TX-30
Base: TX-PR-30L
Height: Standard
Bowl filler: 300mm bowl filler (BF2)
Pedestal: Twin
Mount: Deck mounted
Water feed: Twin
Controls: Lever
Connect: 1/2-inch
Accredita: WRAS

FEATURES & BENEFITS

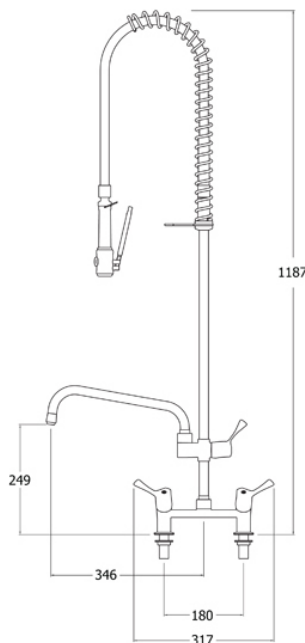
- Ergonomic in design and functionality.
- Modern, hygienic and practical design comes pre-assembled ready to install.
- All assembled models are factory tested up to 6 bar for quality assurance.
- Complete interchangeability between all bodies, spouts and pre-rinse means that product use can easily be changed on site at a later date.
- Includes PosiStop protected lever and dome heads for long life and reliability for all models and Brass Back Nuts
- Choice of height and bowl filler available.

TECHNICAL INFO

- Connections: 1/2-inch
- Height: 1187mm
- Recommended static water pressure range: 1.5 - 5 bar
- Flow rates for all TX-PR-30 models - tested at 3 bar pressure: SPRAY GUN WATER-SAVING face plate: 4.52 l/m. SPRAY GUN STANDARD face plate: 7.84 l/m. BOWL FILLER WATER-SAVING diffuser: 3.74 l/m. BOWL FILLER STANDARD diffuser: 9.33 l/m. Water-saving diffuser for bowl filler included.

MAINTENANCE & CLEANING

Cleaning chrome: Do not use abrasive, chlorine or acid-based cleaning products. Avoid contact with concentrated bleach. Clean with soapy water using a cloth or sponge.



Dimensions are in millimeters. If a Cad file is required please visit www.mechline.com.



MECHLINE DEVELOPMENTS LIMITED

Tel: +44 (0)1908 261511 | Email: info@mechline.com | Web: www.mechline.com