






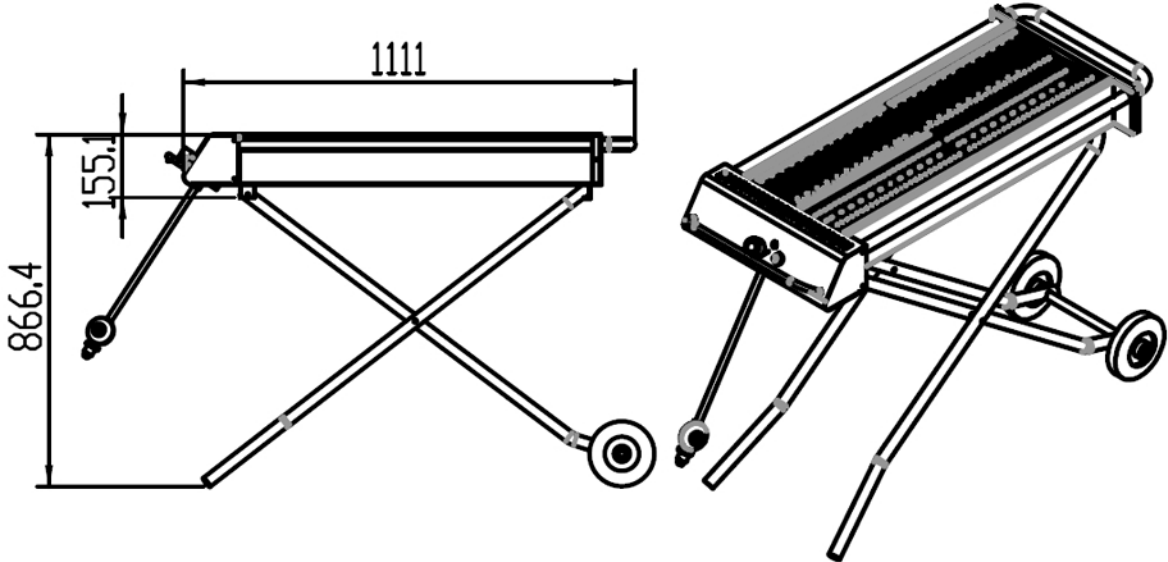
CK9111 Foldable Propane Gas Barbecue - Specification



-  Variable heat control.
-  Piezo ignition.
-  Folds away for easy storage.

External Dimensions	W1111 x D410 x H140mm (folded)
External Dimensions	W1111 x D410 x H850mm (erected)
Cooking Area Dimensions	W870 x D340mm
Packed Dimensions	W1460 x D520 x H270mm
Heat Input	6.5kW (473g/h)
Number of Burners	1
Number of Injectors	1
Inlet Pressure	Propane at 37mbar
Weight	28kg

For outdoor use only



Caterkwik Ltd

The Lakeland Catering Centre
 Newlands
 Ulverston
 Cumbria
 LA12 7QQ

01229 480001

info@caterkwik.co.uk

