



FOOD-PROCESSOR - EMULSIFIER CKE-5

Capacity of the bowl: 5 lt. (5¼ qt.). Variable speed appliance. Control panel with timer.



DYNAMIC PREPARATION
CUTTER-MIXERS & EMULSIFIERS



FEATURES AND BENEFITS

- ✓ Specially designed to work with liquids.
- ✓ Cover design allows liquids to be added while in operation.
- ✓ Adjustable speed.
- ✓ Three modes of use: continuous, timer or pulse function.
- ✓ Unique “Cut&Mix” scraper included.
- ✓ Stainless steel construction and highest quality material, all suitable for contact with food.
- ✓ It consists of a variable speed motor block with a regular hopper and a 5 lt. (5¼ qt.) food processor bowl complete with a hub with serrated blades.
- ✓ Strong, very easy to use and clean.
- ✓ High production. Ventilated motor allowing continuous use.
- ✓ User-friendly, waterproof led-lit control panel.
- ✓ Allows programming by time and includes a pulse switch
- ✓ Complete with “Cut&Mix” scraper.

INCLUDES

- ✓ Motor block. with serrated blades.
- ✓ 5 bowl complete with a hub ✓ “Cut&Mix” scraper.

SALES DESCRIPTION

Consists of a motor block and a 5 lt. (5¼ qt.) bowl and a hub with serrated blades.



www.sammic.co.uk

Food Service Equipment Manufacturer
Unit 2, Trevanah Road
Troon Industrial Park
LE4 9LS - Leicester
uksales@sammic.com
Tel.: +44 0116 246 1900



Project	Date
Item	Qty
Approved	

product sheet
updated 06/03/2018



FOOD-PROCESSOR - EMULSIFIER CKE-5

Capacity of the bowl: 5 lt. (5¼ qt.). Variable speed appliance. Control panel with timer.



SPECIFICATIONS

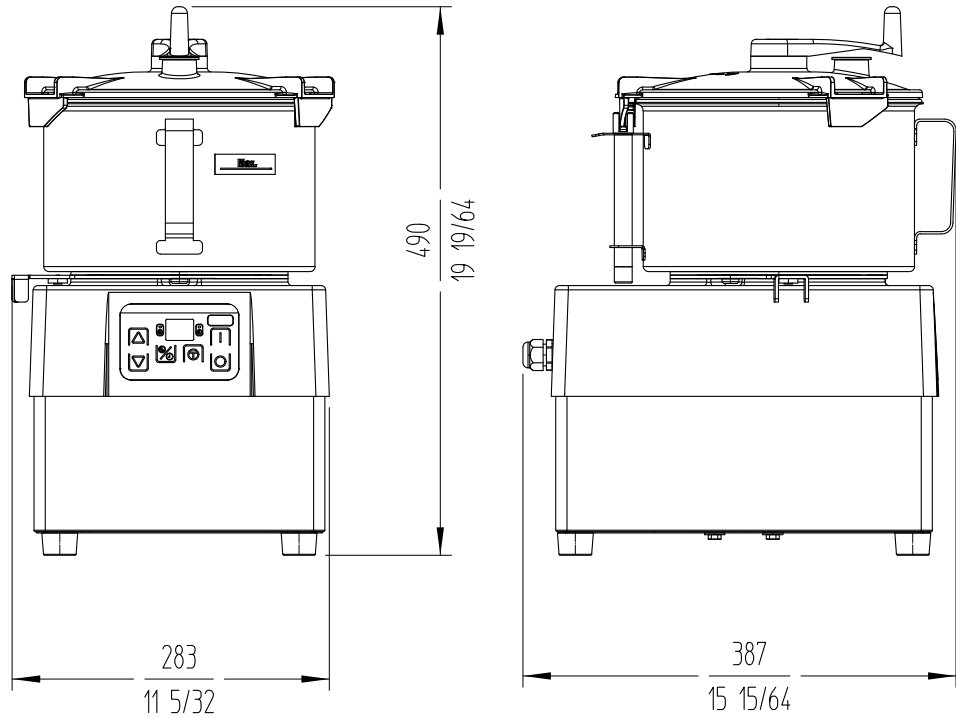
- Bowl capacity: 5.5 l
- Bowl dimensions: Ø240 mm x 150 mm
- Total loading: 1250 W
- Speed, min-max: 385 rpm - 3000 rpm

External dimensions (WxDxH)

- ✓ Width: 284 mm
- ✓ Depth: 374 mm
- ✓ Height: 439 mm
- Net weight: 23 Kg

Crated dimensions

450 x 360 x 580 mm



AVAILABLE MODELS

1050140 Cutter-Emulsifier CKE-5 230/50-60/1

* Ask for special versions availability

ACCESSORIES

- Blades for CK/CKE
- "Cut&Mix" Scrapers CK/CKE

DYNAMIC PREPARATION
CUTTER-MIXERS & EMULSIFIERS



www.sammic.co.uk

Food Service Equipment Manufacturer

Unit 2, Trevanth Road
Troon Industrial Park
LE4 9LS - Leicester

uksales@sammic.com
Tel.: +44 0116 246 1900



Project

Date

Item

Qty

Approved

product sheet
updated 06/03/2018