

REVISIONS				
ECI	REV.	COMMENT	DATE	BY
	A	Production release	28/04/2025	DB

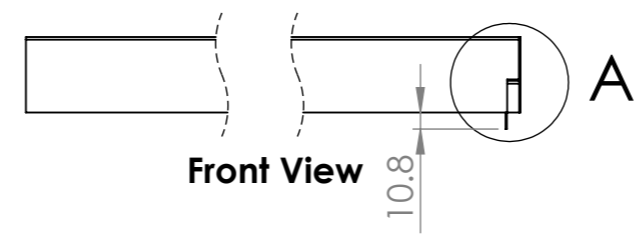
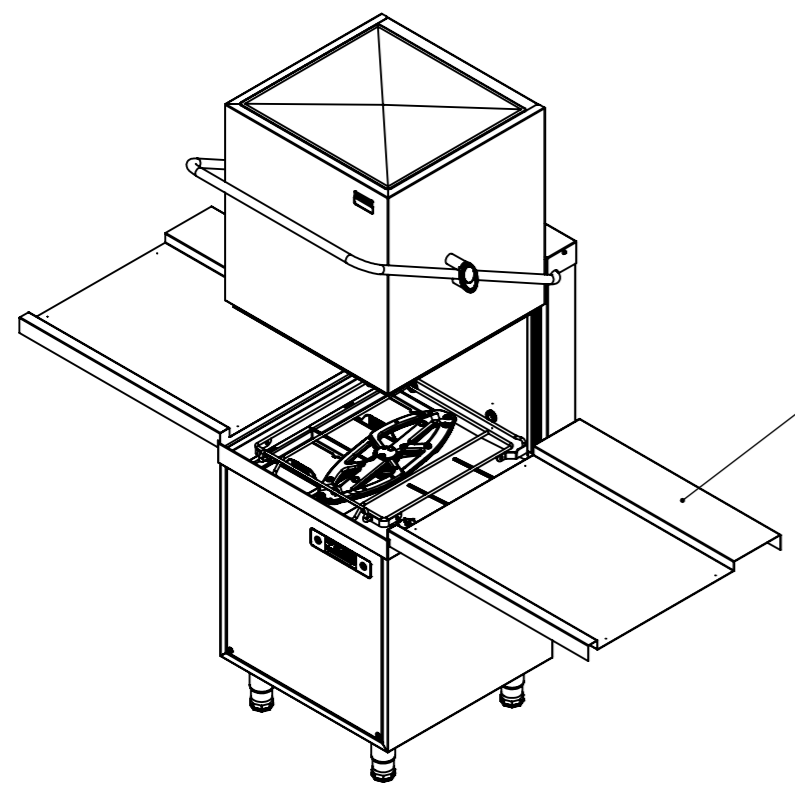
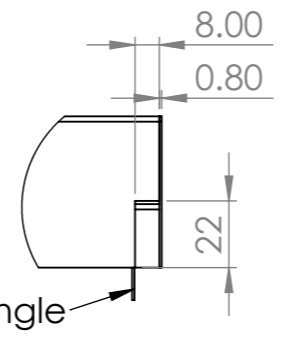
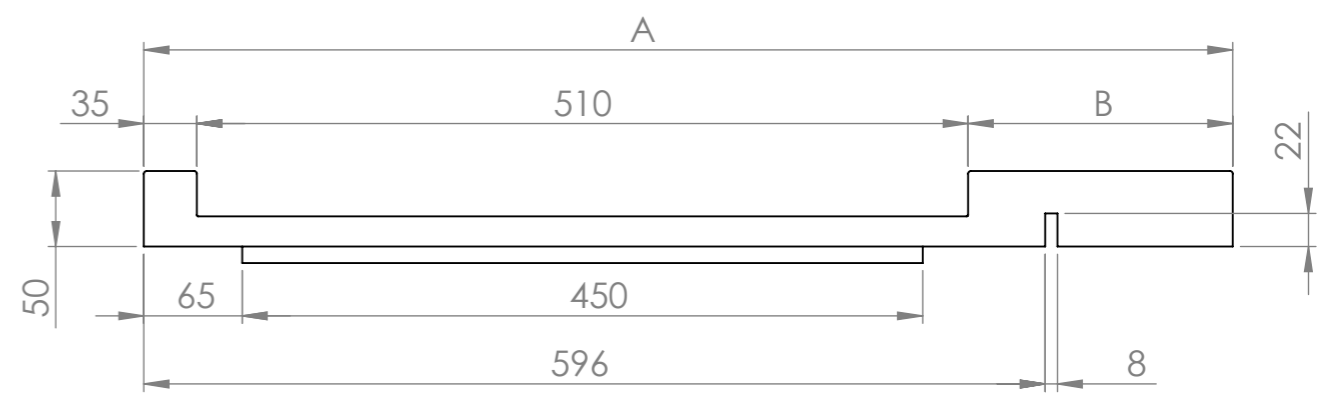


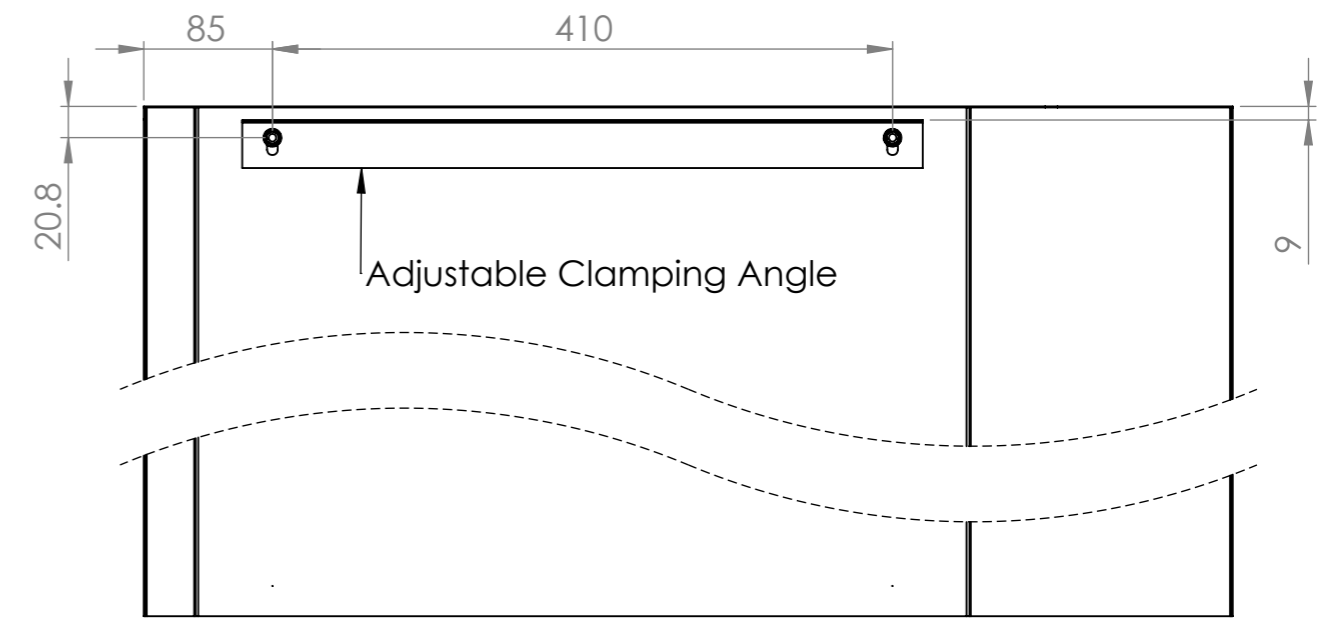
Table Height from Top of table to floor level
 Min : 873mm
 Max : 933mm



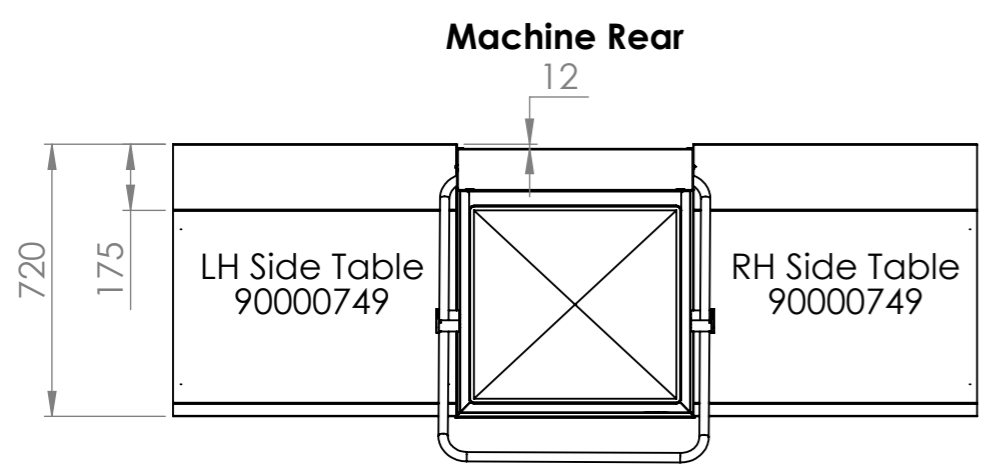
Adjustable clamping angle
DETAIL A
 SCALE 2 : 5



Hook in End View



Bottom View



Machine Front

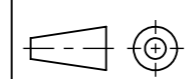
If space is required behind the machine the extended variant is recommended

Dimension	Standard size	Extended size
A	720	800
B	175	255

General Notes:

CLASSEQ
 Classeq Ltd.
 Classeq House
 Beacon Business Park
 Beacon Way
 Stafford
 ST18 0DG
 United Kingdom

IF IN DOUBT ASK



NAME	DATE	STATUS:	
DB	28/04/2025	Work in Progress	
MATERIAL:		DESCRIPTION:	
N/A		CP500 Table Straight Layout	
FINISH:	SIZE	DRAWING NO.:	REV.:
N/A	A3	90002191	A
DO NOT SCALE 3D DATA IS MASTER DIMENSIONING WITH REFERENCE TO BS8888		WEIGHT:	SCALE:1:20
		g	Sheet 1 of 1
		OUTSIDE DIMS.: H: DB W: DB D: DB	