

CQUBE S FILTER BREW

SF03 SF12 SF20
USER MANUAL



UM_EN

Part No.: I764013_01



CONTENT	2
GENERAL.....	4
Introduction	4
Warnings.....	4
Precautions.....	4
Intended use.....	4
Facts & weight	5
OVERVIEW OF COMPONENTS.....	6
Front of CQube SF03 with membrane switch.....	6
Front of CQube SF03 with touchscreen.....	7
CQube SF03 interior.....	8
Front of CQube SF12 with membrane switch.....	9
Front of CQube SF12 with touchscreen.....	10
CQube SF12 interior.....	11
Front of CQube SF20 with membrane switch.....	12
Front of CQube SF20 with touchscreen.....	13
CQube SF20 interior.....	14
Membrane switch navigation.....	15
Touchscreen navigation.....	16
User card.....	17
INSTALLATION AND START-UP.....	18
Positioning.....	18
Machine startup procedure.....	18
Fill ingredient canister and bean hopper	19
OPERATION	20
Brewing a cup of coffee (CQube SF with membrane switch).....	20
Brewing a cup of coffee (CQube SF with touchscreen).....	21
Brewing coffee in a jug (CQube SF with membrane switch).....	22
Brewing coffee in a jug (CQube SF with touchscreen).....	23
CLEANING PROGRAM.....	24
Automatic rinsing of the mixing bowl.....	24
Automatic cleaning of dispenser valves.....	25
Automatic cleaning of brewing mechanism.....	26
Open brewer function.....	27
CLEANING AND CARE.....	28
Disassemble the brewing chamber.....	28

Disassemble and cleaning of coffee filter 29

Weekly cleaning..... 30

Disassemble mixing system 30

Wash these parts 31

Reassemble mixing system 31

Exterior cleaning 32

MESSAGE SHOWN ON DISPLAY 33

PROGRAMMING 34

Activate programming with the user card 34

Jug beverage..... 35

Clean machine 36

Counters..... 37

DIMENSION SKETCH..... 39

CQube SF03 SF12 SF20..... 39

Some important information may appear in textboxes seen below

 IMPORTANT! INFO.	 CAUTION! INFO.	More INFO.	Note INFO.
---	--	------------	------------

Introduction

Thank you for choosing a CQube SF fresh-brew vending machine.
We hope you enjoy it !

- Read the user guide before using the machine.
- This guide contains important instructions for proper and safe use of the vending machine.
- Always keep this guide close at hand for future reference.

Warnings

- Never immerse the machine, plug or mains cable in water because there is a danger of electric shock.
- The appliance is not intended for use by persons (including children) with reduced physical, sensory or mental capabilities, or lack of experience and knowledge, unless they have been given supervision or instruction concerning the use of the appliance by a person responsible for their safety.
- Children should be supervised to ensure they do not play with the appliance.
- Do not use the machine if the mains cable, plug is damaged or the machine has fallen down.
- If the mains cable is damaged it must be replaced by the manufacturer, service agent or similarly qualified persons in order to avoid a hazard.
- Only plug the machine into a properly installed earthed safety socket whose line voltage matches the technical data for the machine.

Precautions

- Do not use the machine outdoors so it can be exposed to weather (rain, snow, frost). It will cause material damage to the machine.
- Do not try to open the machine or repair it in any way. To avoid danger only have the machine repaired in a technical workshop, Service Centre or by a qualified person.
- Remove the mains cable from the socket when the machine is not in use for longer periods. To do this, pull the plug not the cable.
- This appliance must be placed in a horizontal position which is resistant to any water that may leak.
- Place the machine out of the reach of children.
- Position the mains cable so that people cannot trip over it. Keep it away from sharp edges and heat sources.
- The new hose-sets supplied with this appliance are to be used, old hose-sets must not be re-used.
- This appliance is not suitable for installation in an area where a water jet could be used.
- This appliance must not be cleaned by a water jet.

Intended use

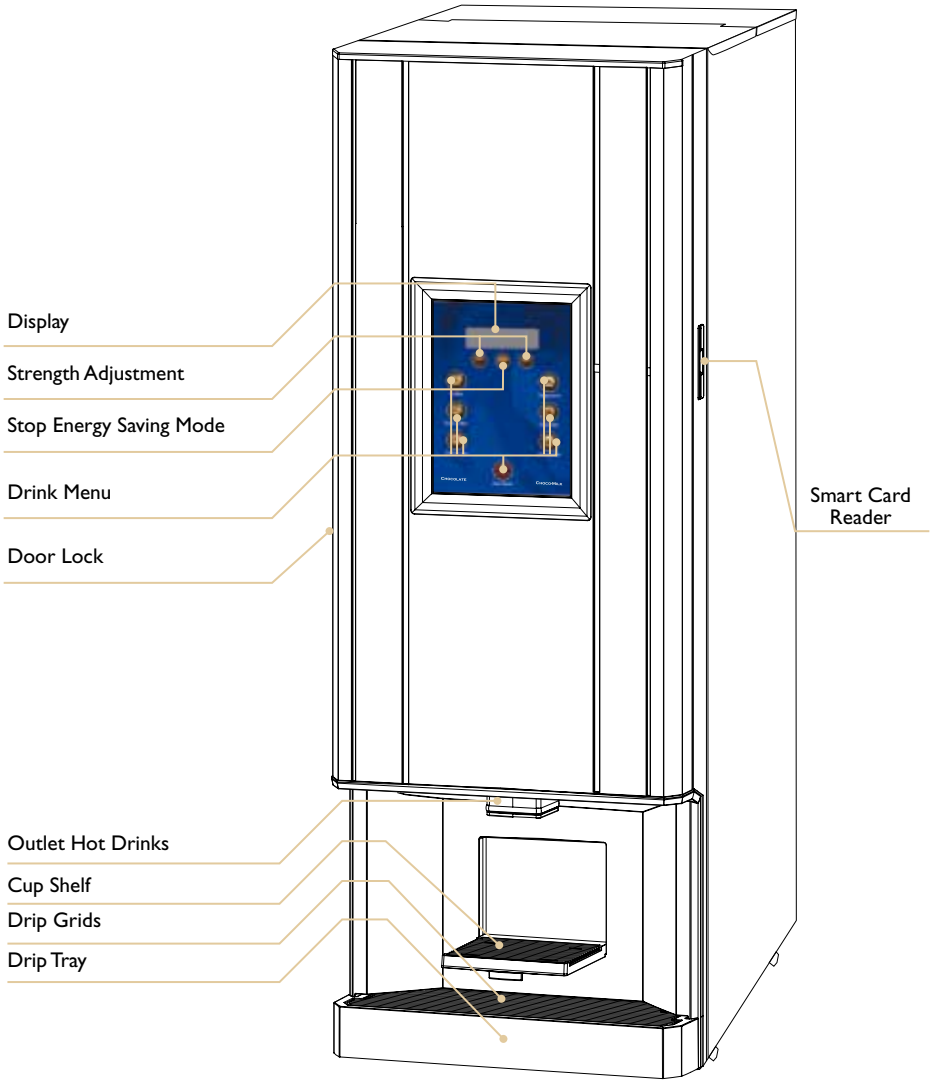
- This appliance is intended to be used in household and similar applications such as:
 - Staff kitchen areas in shops.
 - Offices and other commercial working environments.
 - On agricultural estates.
 - By clients in hotels, motels and other residential type environments.
 - Bed and breakfast type environments.
- For the optimal performance of the machine these parameters shall not be exceeded:
 - Maximum permissible inlet water pressure : 800KPa (8Bar)
 - Minimum permissible inlet water pressure: 200KPa (2Bar)
 - Maximum working temperature: 40 °C
 - Minimum working temperature: 10 °C

Facts & weight

FACTS	CQube SF03	CQube SF12	CQube SF20
Touchscreen	Option	Option	Option
Built-in grinder	None	Yes	Yes
Function for selecting jug	Yes	Yes	Yes
Drink options	7-12	7-12	5
Ingredient canister	3	2	None
Bean hopper	None	1	2
Brewing mechanism	Yes	Yes	Yes
Cleaning function by smart card	Yes	Yes	Yes
Electronic temperature control	Yes	Yes	Yes
Adjustable coffee strength	Yes	Yes	Yes
Illumination of cup during brewing	Yes	Yes	Yes
Base cabinet: large grounds container	Option	Option	Option
Energy saving mode	Yes	Yes	Yes
Height, Width, Depth	818, 290, 532mm	818, 290, 532mm	818, 290, 532mm
Tank volume	1,8Litres	1,8Litres	1,8Litres
Power supply	220-230VAC, 50/60Hz/2200W	220-230VAC, 50/60Hz/2200W	220-230VAC, 50/60Hz/2200W
Cold water connection	½" External thread	½" External thread	½" External thread
Water purification filter	Option	Option	Option

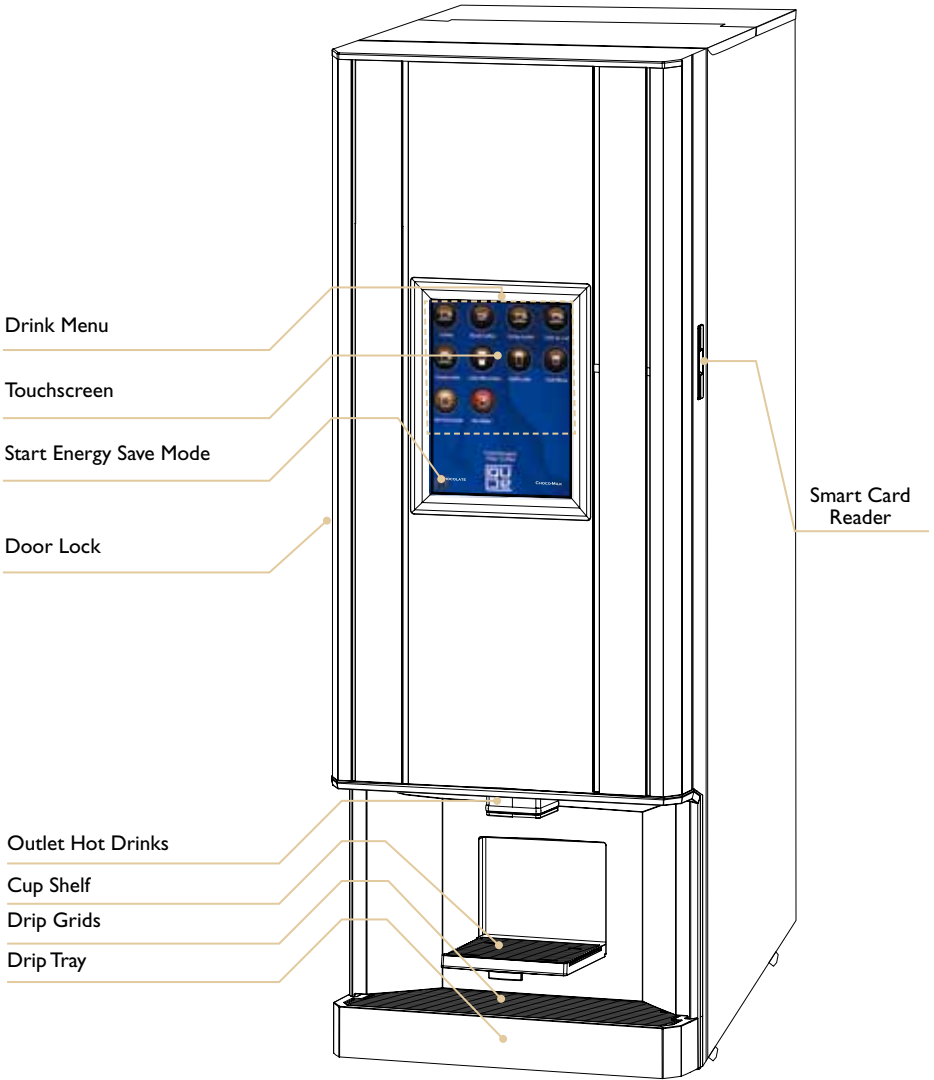
MODEL/NAME	WEIGHT
CQube SF03	35kg
CQube SF12	36kg
CQube SF20	37kg
Base cabinet	25kg

Front of CQube SF03 with membrane switch



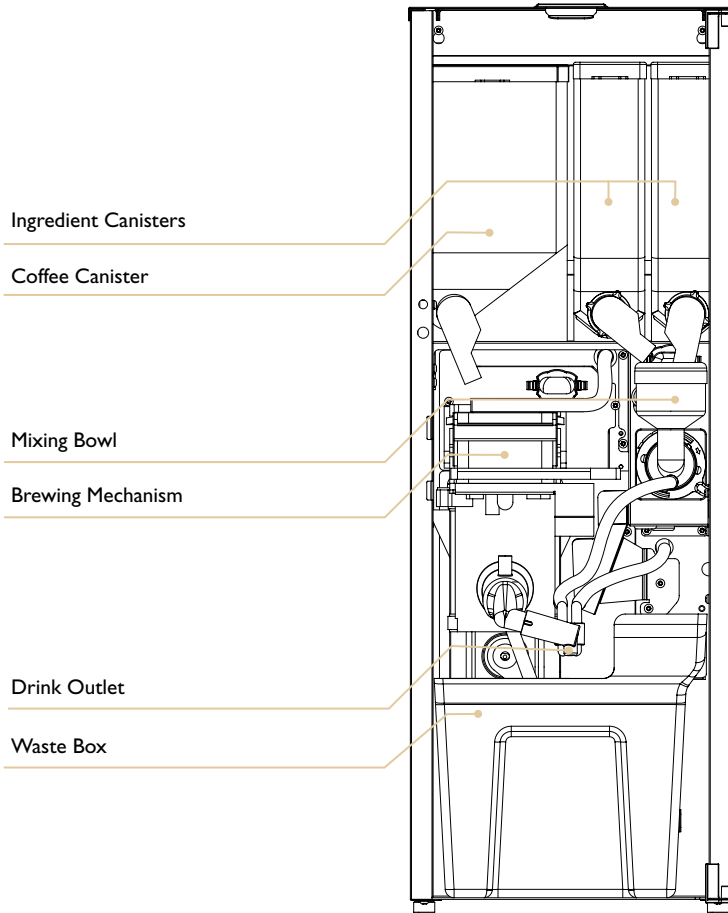
Accessories: Base cabinet

Front of CQube SF03 with touchscreen



Accessories: Base cabinet

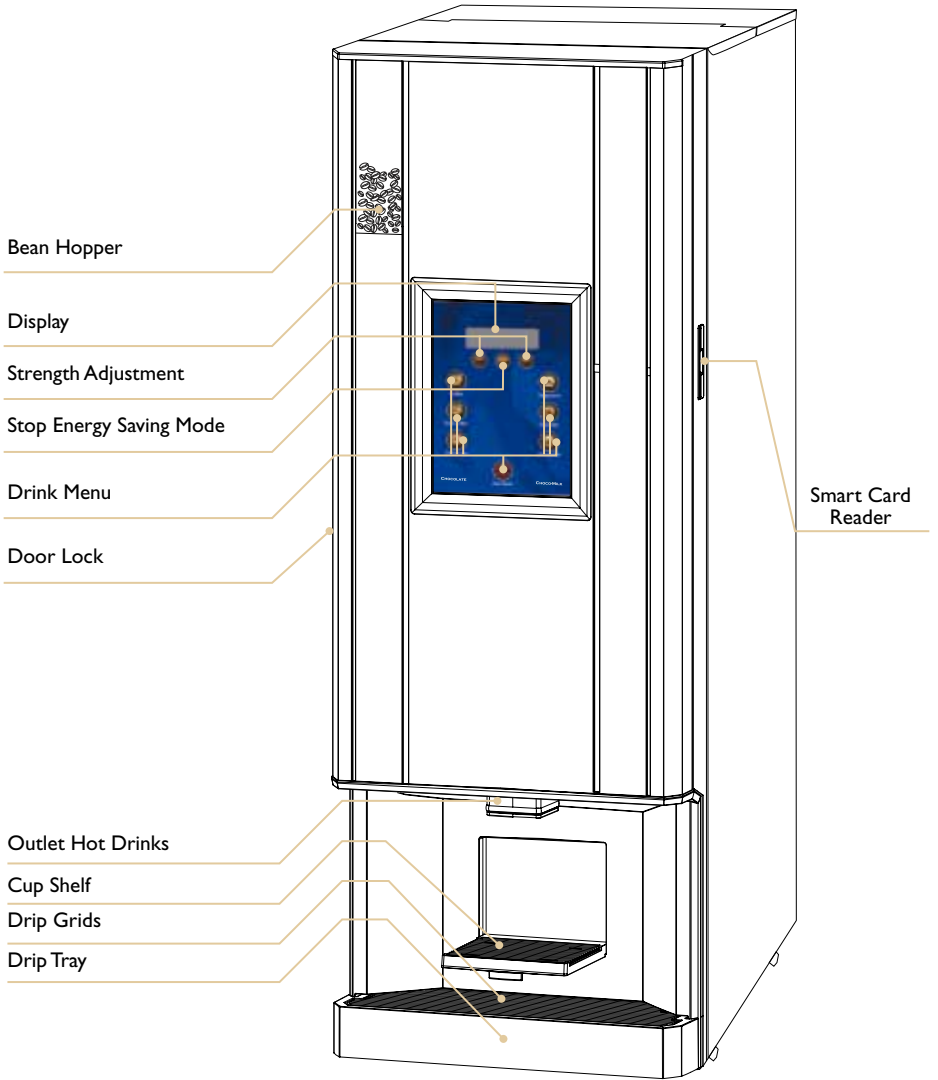
CQube SF03 interior



Ingredient canisters CQube SF03

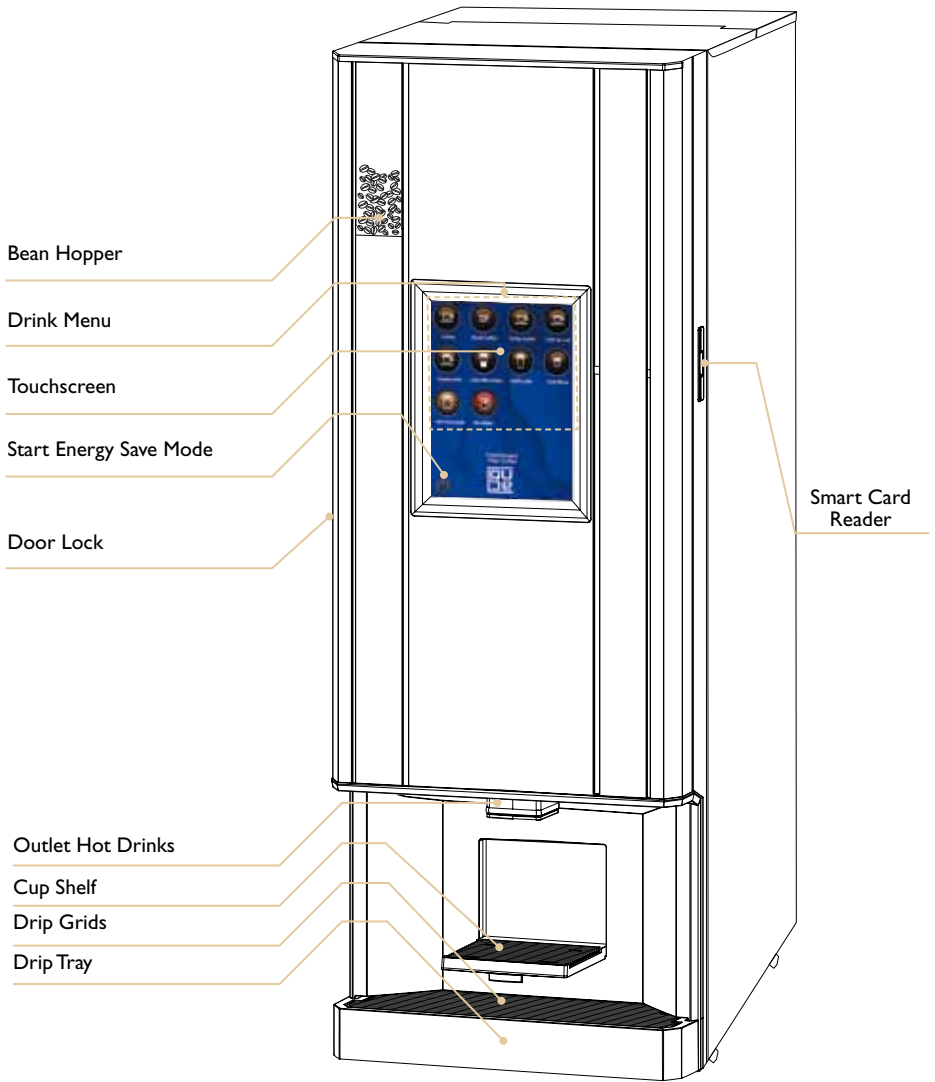
DETAIL	INGREDIENTS	WIDTH	DEPTH	HEIGHT	CAPACITY	CUPS/UNIT
Canister	Coffee	137mm	180mm	250mm	1,5kg	~130 cups
Canister	Chocolate	64mm	180mm	250mm	1,77kg	~90 cups
Canister	Topping	64mm	180mm	250mm	1,45kg	~120 cups

Front of CQube SF12 with membrane switch



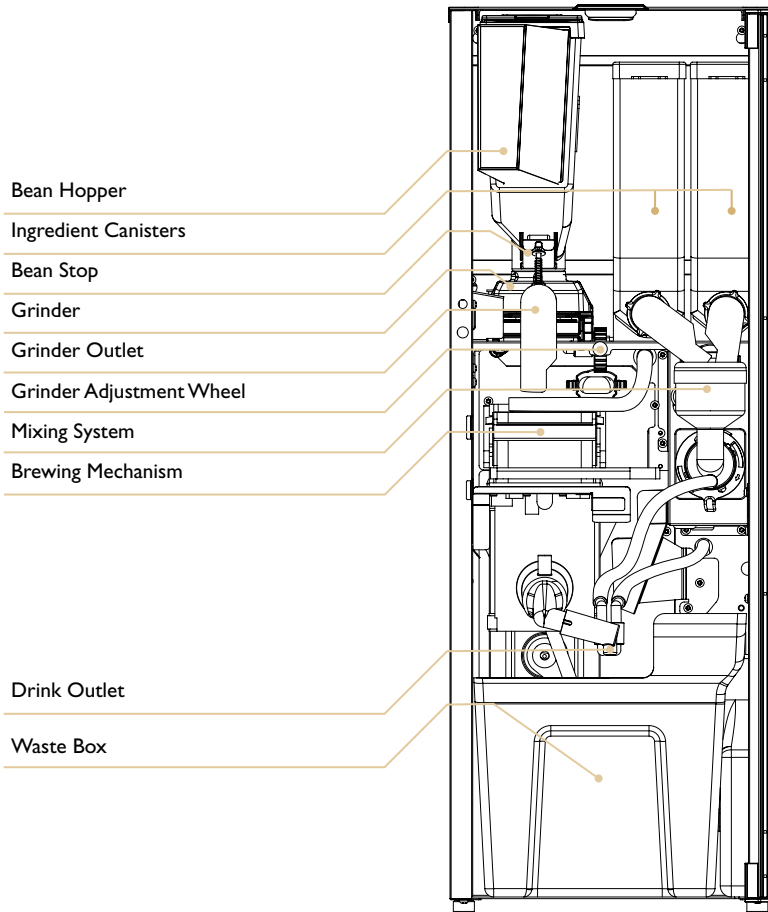
Accessories: Base cabinet

Front of CQube SF12 with touchscreen



■ Accessories: Base cabinet

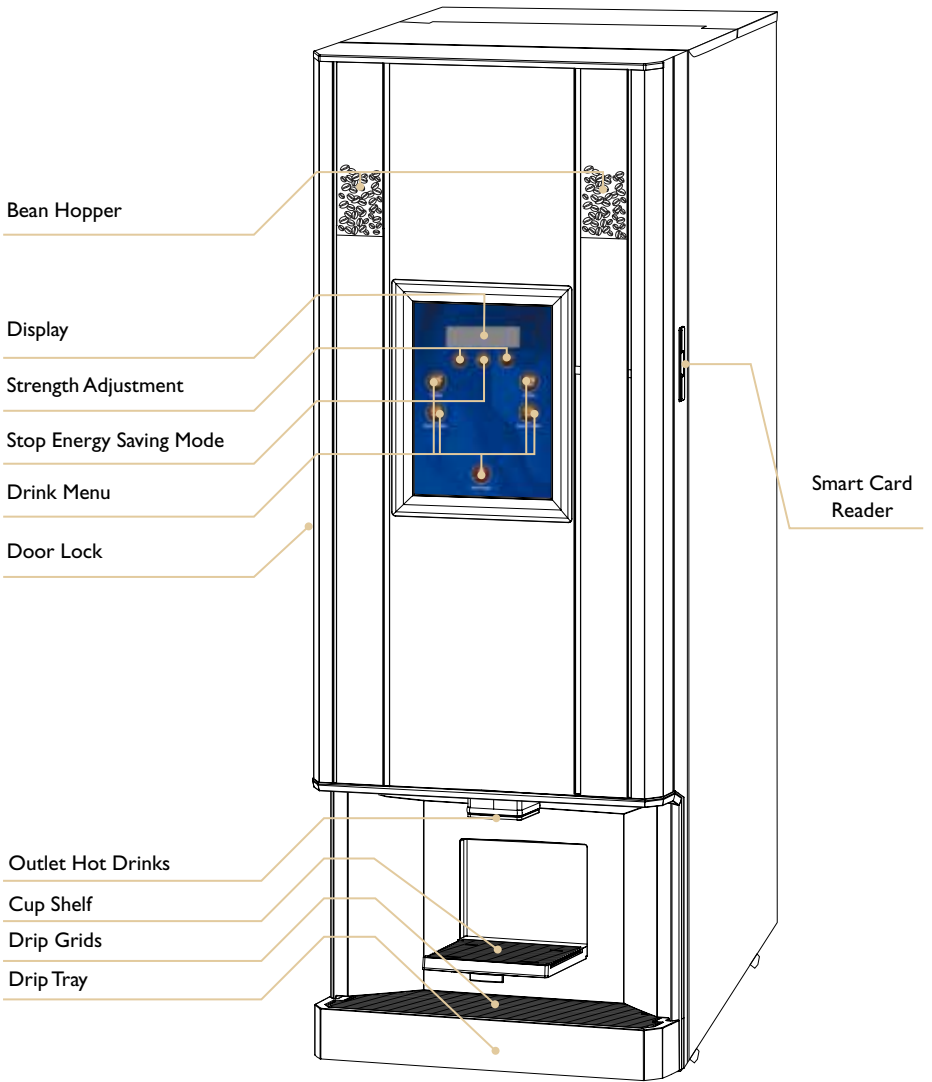
CQube SF12 interior



Ingredient canisters CQube SF12

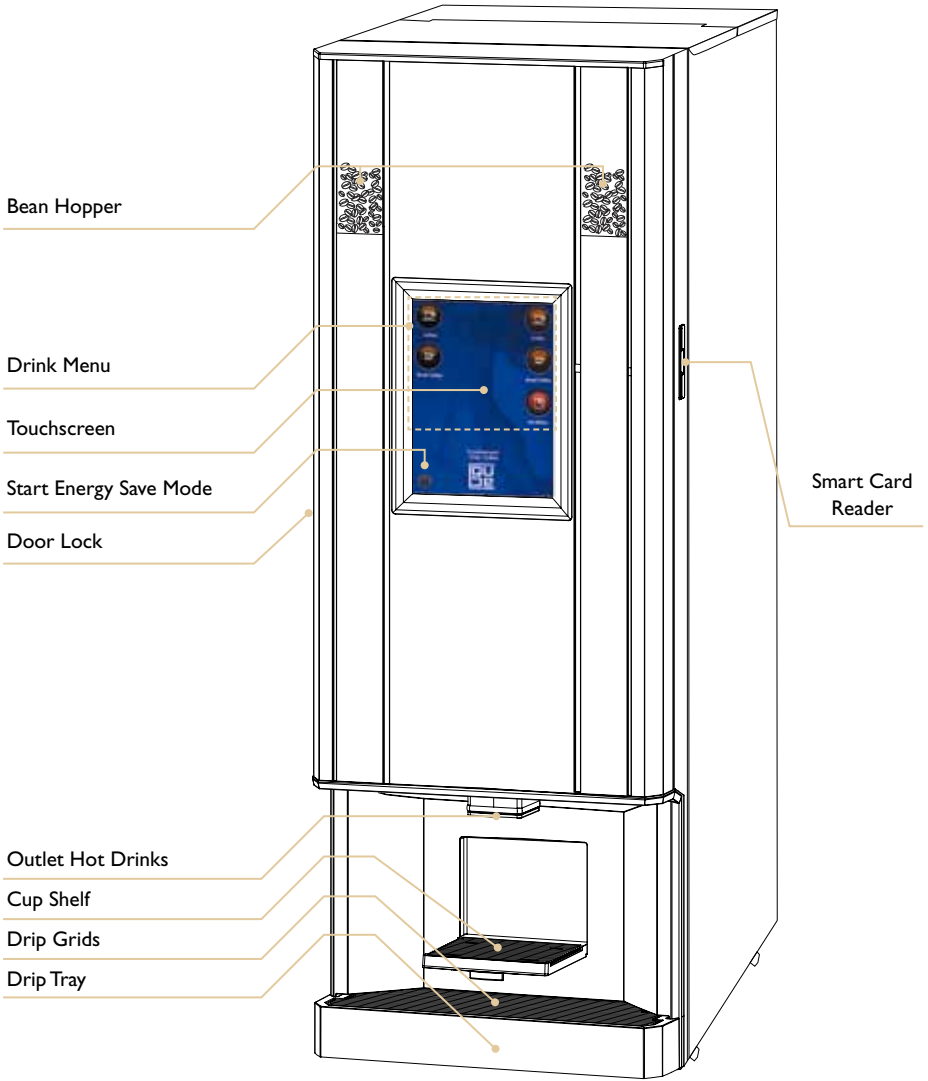
DETAIL	INGREDIENTS	WIDTH	DEPTH	HEIGHT	CAPACITY	CUPS/UNIT
Hopper	Beans	----	----	----	1,25kg	~110 cups
Canister	Chocolate	64mm	180mm	250mm	1,77kg	~90 cups
Canister	Topping	64mm	180mm	250mm	1,45kg	~120 cups

Front of CQube SF20 with membrane switch



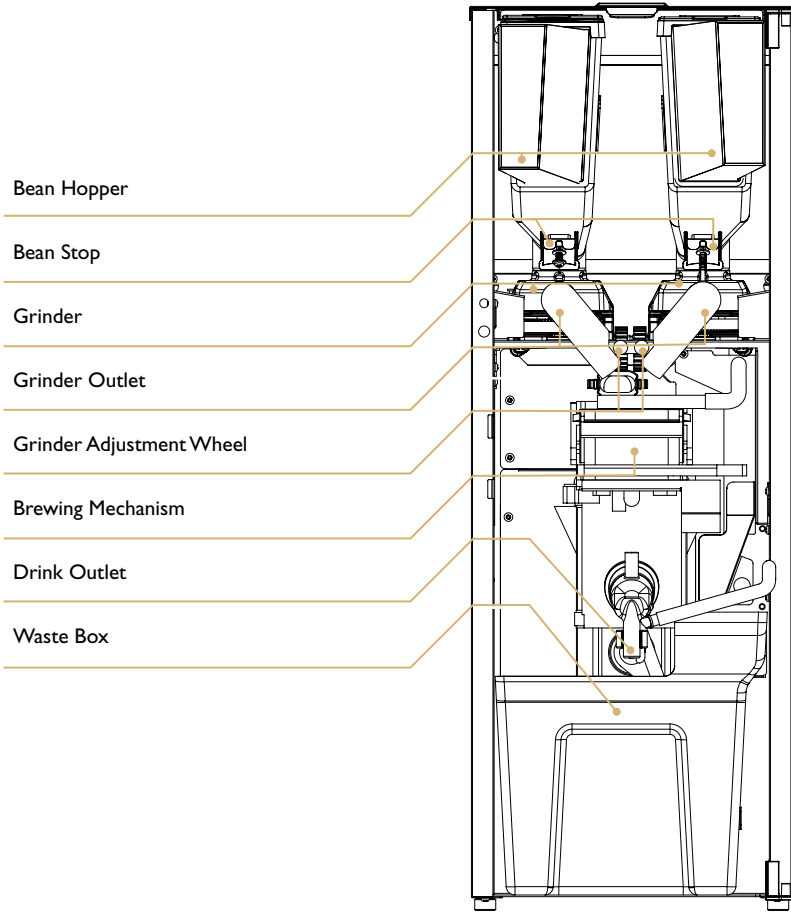
Accessories: Base cabinet

Front of CQube SF20 with touchscreen



Accessories: Base cabinet

CQube SF20 interior



Ingredient canisters CQube SF20

DETAIL	INGREDIENTS	WIDTH	DEPTH	HEIGHT	CAPACITY	CUPS/UNIT
Hopper	Beans	----	----	----	1,25kg	~110 cups
Hopper	Beans	----	----	----	1,25kg	~110 cups

Membrane switch navigation

Button functions



Press the BACK button if you want to leave the submenu and go back in the menu.



Press the ENTER button to select a menu function, confirm a set value or a setting.



Press the MINUS button if you want to decrease a value or go back in the menu.



Press the STOP button if you want to return to the start menu.

To activate energy saving mode press and hold the STOP button for 5 seconds. Display will show Energy Saving Mode.

You can abort jug process by pressing STOP.

To return to normal mode press and hold the STOP button for 5 seconds while the machine is in energy saving mode.



Press the PLUS button if you want to increase a value or go forward in the menu.

ENERGY SAVING MODE | The machine reduces the temperature in the water tank to 65°C.

Touchscreen navigation

Button functions

Choose drink type by pressing the icon on the touchscreen, when an icon is selected a field in the bottom of the screen appears. Press START to produce your selected drink.



BACK

Press the BACK button if you want to leave the submenu and go back in the menu.

ENTER

Press the ENTER button to confirm a set value or a setting. Confirm the new setting by pressing the E-button.

START

Press START button to confirm drink choice.

STOP

Press the STOP button if you want to return to the start menu.



Press the MINUS button for choosing Strength / Volume of the drink.



Press the PLUS button for choosing Strength / Volume of the drink.



To activate energy saving mode press the power icon on the display.

ENERGY SAVING MODE | The machine reduces the temperature in the water tank to 65°C.

User card

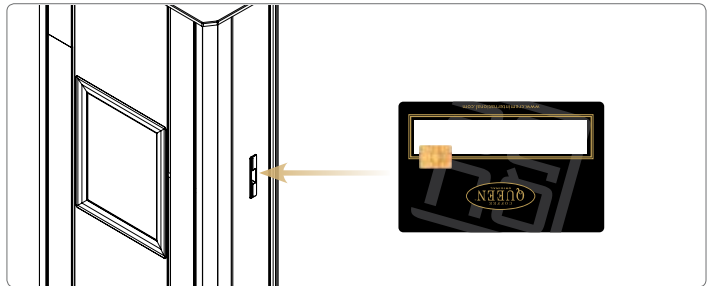


Face



Back

- User card
Is used for entering jug mode and see counter settings. User card is supplied by your dealer.



- Insert the user card with the chip upwards as in the figure above.

For CQube with membrane switch

The display will show the Service Menu, Jug Beverage and you can now browse forwards through the menu.



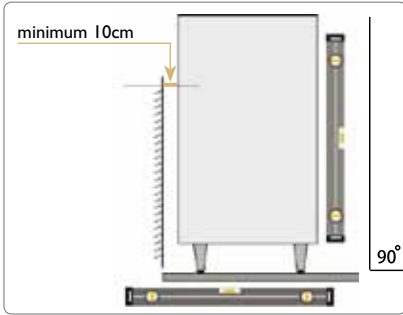
For CQube with touchscreen

The display will show the Service Menu, you can now browse forward by touching these icons.



- To use the machine again remove the user smart card and store it in a safe place.

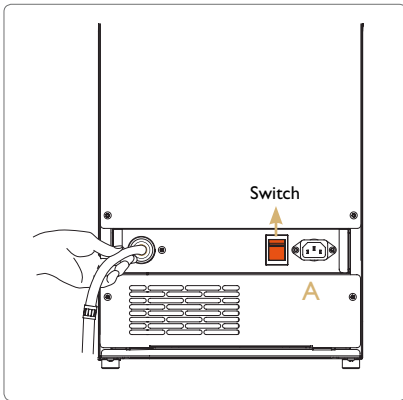
Positioning




- Place the machine on a flat horizontal surface that will support the weight of the machine.
- When assembled with a base cabinet: Fix the CQube machine together with the base cabinet with supplied M6 X 35 screws.

Note Make sure air is able to circulate behind the machine (minimum 10cm).

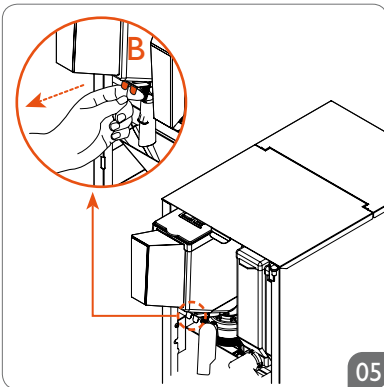
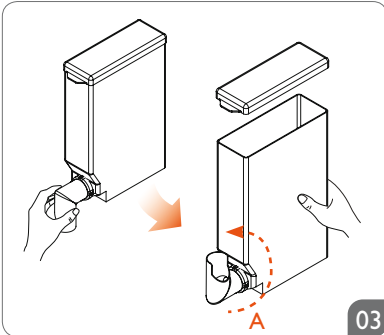
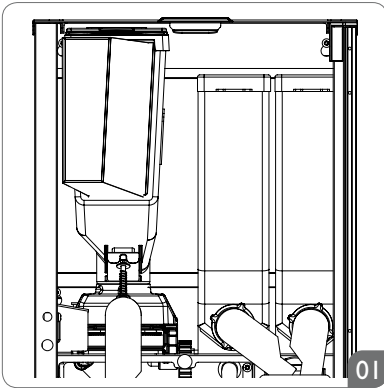
Machine startup procedure



- Connect the water to the top cabinet on the machine.
- Connect the supplied water hose to the cold water connection using a 1/2" R-connection. When pushing the machine into position make sure there is no interference to the hose to ensure proper water flow.
- If the inlet hose is new, flush the system with water first to remove copper shavings. These can damage the inlet valve.
- The new tube set supplied with the appliance must be used. Old tubes may not be re-used. Connection to a closable valve is recommended.
- Min. water pressure; 2 bar (200kPa).
- Max. water pressure: 8 bar (800kPa).

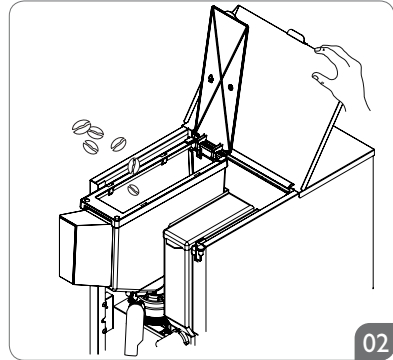
- Open the water tap.
- Connect the mains cable to the machine (A) and insert the plug to a earthed wall socket.
- Switch on the power switch on the rear of the machine. See figure.
- The display indicates **Low Water Level** **Press Enter Key** Press the  / **ENTER** button.
- The water tank will now automatically fill with 1.8 litres of water. The element will not be powered until the water reaches the level sensor.
- Set temperature is 96° Celsius.
- Once the water heating is complete "Low temp" text will disappear from the display. (The display text will start to rotate between these two screens **FRESHBREWED FILTER COFFEE** and **SELECT PRODUCT**)

Fill ingredient canister and bean hopper

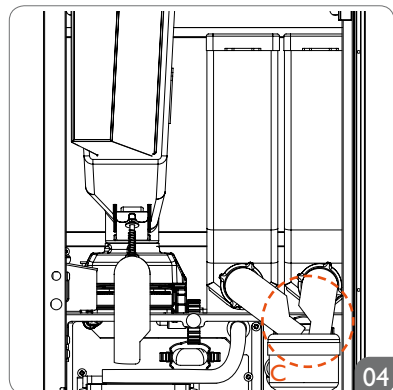


- ▲ Open the bean stop (B) on the bean hopper. The machine is ready to use.

- ▼ Lift the lid and fill the bean hopper with freshly roasted coffee beans without additives.

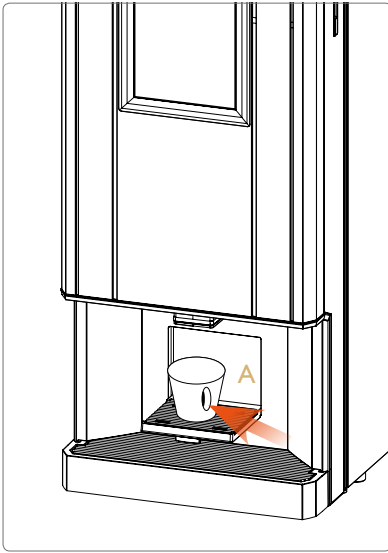


- ◀ Remove the ingredient canisters to avoid spilling in the machine and fill with ingredients. When filling the ingredients, keep the opening of the canister chute upwards (A).




- ▲ Reassembly canisters. When placing the ingredient canisters, Ensure that the openings of the canister chutes point down toward the mixing bowl (C).


Brewing a cup of coffee (CQube SF with membrane switch)




- Place a cup under the outlet for hot drinks.(A)
- The strength of the drink is set to default. If you would like to increase or decrease the strength then follow the steps in the section below.


Stronger drink, Press the  button

or

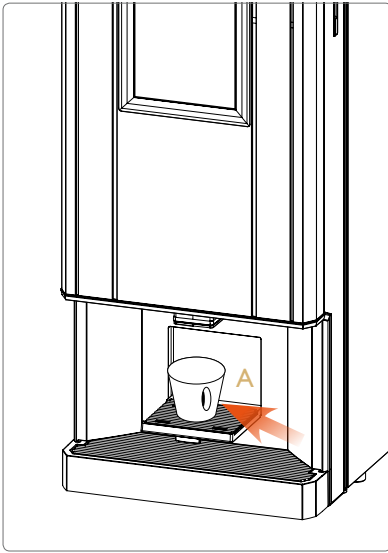
Weaker drink, Press the  button

- Select coffee by pressing the coffee button 



The display shows:  and the cup light goes on.


- Wait until the cup light switches off and the text  has disappeared from the display before removing the cup.

Brewing a cup of coffee (CQube SF with touchscreen)

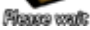



- Place a cup under the outlet for hot drinks.(A)
- Choose drink by pressing the drink button on the display.
- The strength of the drink is set to default. If you would like to increase or decrease the strength then follow the steps in the section below.

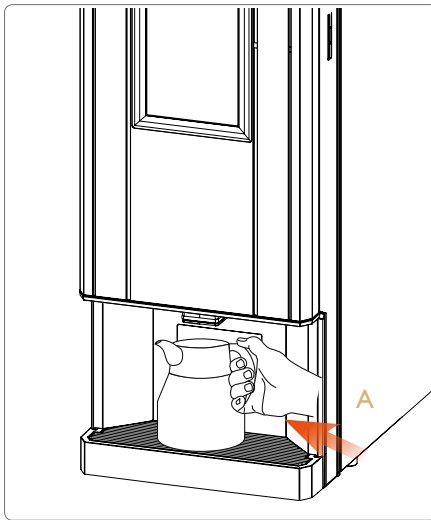
Stronger drink, Press the  button
 or
 Weaker drink, Press the  button

- Confirm drink by pressing the  button

The display shows:  and the cup light goes on.




- Wait until the cup light switches off and the animation  has disappeared from the display before removing the cup.  has disappeared from the display before removing the cup.

Brewing coffee in a jug (CQube SF with membrane switch)




- Lift up the cup shelf and put a jug under the outlet for hot drinks.(A)
- Insert user card in the card reader.(B)

■ The display shows **Service Menu Jug Beverage**

- Press the  button.
- Change the number of cups you want to brew in your jug (6 cup brewing is the default setting.) with  or  button.

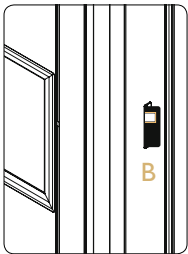
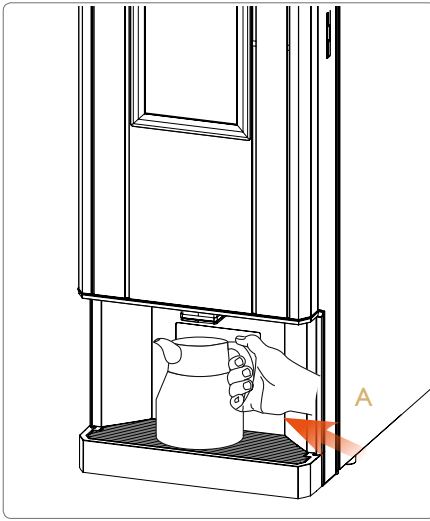
Jug brewing is possible form 1-12 cups.




- Press the  button for coffee.
- Wait until the cup light switches off and the message **Please wait...** has disappeared from the display before removing the jug.
- You can abort the jug process by pressing STOP button any time during the process, it will finish the drink in process before complete stop.
- Remove user card.

Note

If no selection is made, remove the user card to abort. Machine jups back to normal mode.

Brewing coffee in a jug (CQube SF with touchscreen)




- Lift up the cup shelf and put a jug under the outlet for hot drinks.(A)
- Insert user card in the card reader.(See fig.B)
- The display shows as in the figure above.
- Press the  icon.
- Change the number of cups you want to brew in your jug (6 cup brewing is the default setting.) with  or  button.

Jug brewing is possible form 1-12 cups.

- Remove user card, drinks that are available for brewing jug now appears.
- Choose drink by pressing drink button you want.

- Press the  button to start jug brewing.

- Wait until the cup light switches off and the animation  has disappeared from the display before removing the jug.

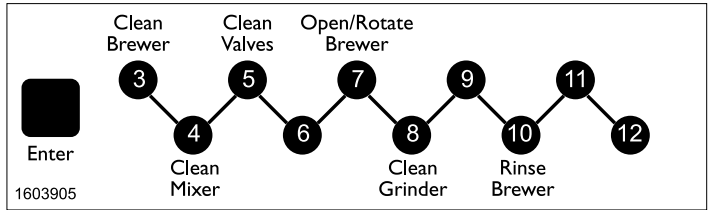
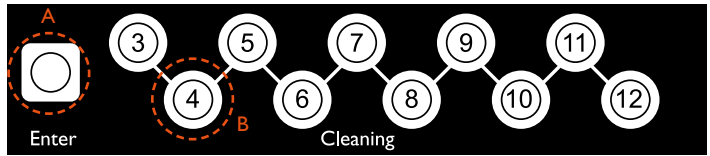
Note If no selection is made, remove the user card.

Automatic cleaning

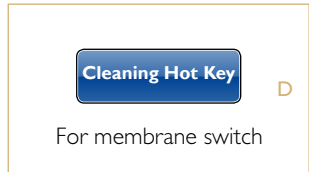
Automatic rinsing of the mixing bowl

Cleaning means rinsing with water and rotating the whipper.

Cleaning of the mixing bowl should be performed once per day.



For touchscreen C



For membrane switch

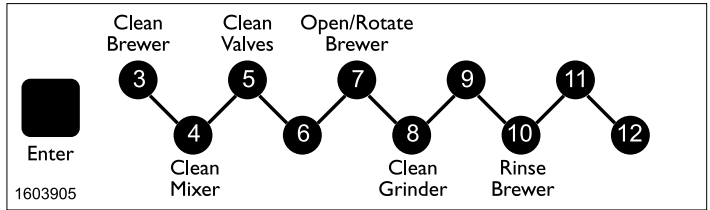
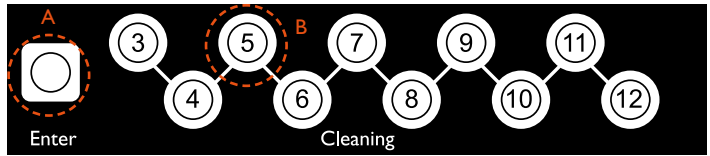
- Open the door.
- Press ENTER on the cleaning panel inside the door. (See fig.A)
- Cleaning Hot key appears on the display (cleaning panel is now active). the display shows: See fig. C or D.
- Put a container that holds at least 0.5 litres under the outlet for hot drinks.
- Press button ④ on the cleaning panel. (See fig. B)
- The machine will now clean the mixing bowl for 5 seconds.
- Close the door to exit cleaning mode and return to normal mode.

Note Repeat the cleaning procedures 2-3 times to get a better cleaning effect.

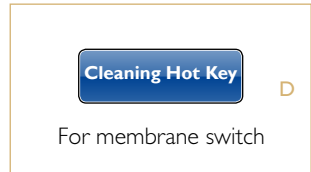
Automatic cleaning

Automatic cleaning of dispenser valves

Cleaning entails that the valves “knock” off any lime scale and other particles that may get stuck in the cylinders and flushing them with water.



For touchscreen C



For membrane switch

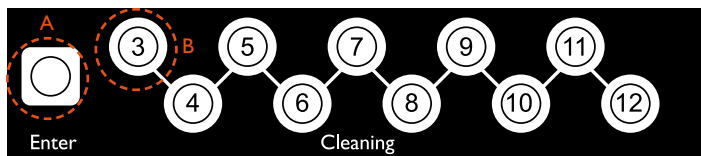
- Open the door.
- Press ENTER on the cleaning panel inside the door. (See fig.A)
- Cleaning Hot Key appears on the display (Cleaning panel is now active). the display shows: See fig. C or D.
- Put a container that holds at least 0.5 litres under the outlet for hot drinks.
- Press button ⑤ on the cleaning panel. (See fig. B)
- The machine will now clean the dispenser valves for 5 seconds.
- Close the door to exit cleaning mode and return to normal mode.

Note Repeat the cleaning procedures 2-3 times to get a better cleaning effect.

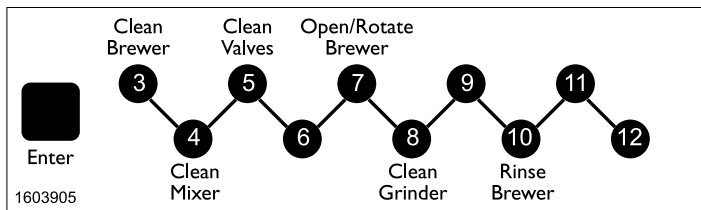
Automatic cleaning

Automatic cleaning of brewing mechanism

Cleaning the brewing mechanism should be performed once a week.



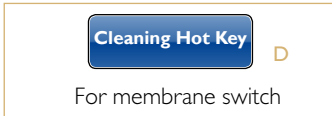
Total cleaning time about 10 minutes. Filter cleaning agent is available from your dealer: Part No. 1104161



IMPORTANT! After cleaning of the brew mechanism is completed, dispense a cup of coffee and discard it to remove cleaning agent remains in the filter and brew chamber.



For touchscreen **C**



- Open the door.
- Press ENTER on the cleaning panel inside the door. (See fig.A)
- Cleaning Hot key appears on the display (cleaning panel is now active).
- the display shows: See fig. C or D.
- Put a container that holds at least 0.5 litres under the outlet for hot drinks.
- Press button **3** on the cleaning panel. (See fig. B)

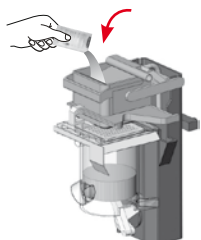


Fig.E

- Display indicates: Place jug, Press ENTER to start
- Put 25gr (one portion) of cleaning agent (See fig.E) in brewing mechanism.
- Press ENTER on the cleaning panel to start the cleaning process.
- Display indicates: Preparing Brewer, Please Wait.
- Display indicates: Cleaning Brewer, Time Left 300s. The machine counts down from 300 seconds.
- Display indicates: Rinsing Brewer, Cycles left 7.
- Display indicates: Cleaning hot key when the cleaning is complete.
- Close the door to exit cleaning mode and return to normal mode.

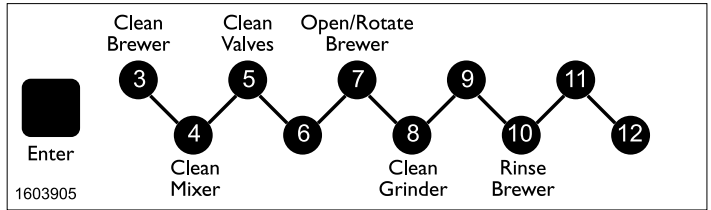
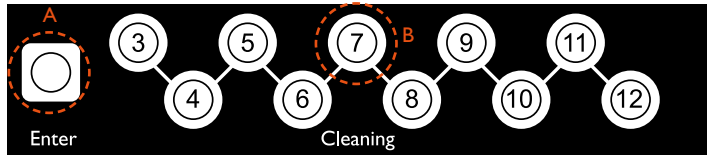
Note

When the cleaning agent has been added, the process must not be interrupted but be allowed to run its course.

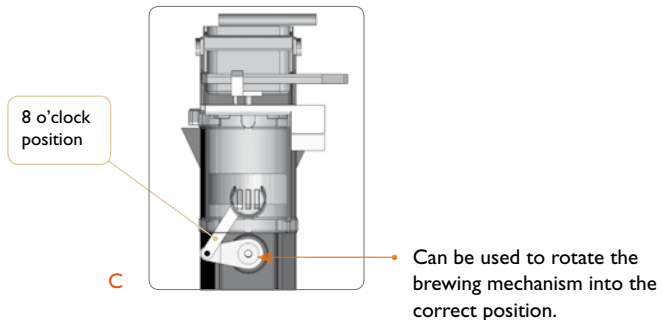
Automatic cleaning

Open brewer function

A tool to disassemble the coffee filter is included with the machine.

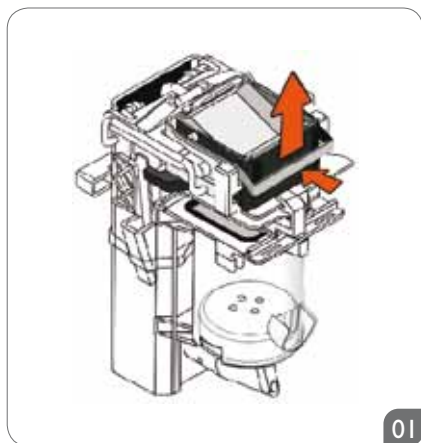


- Open the door.
- Press ENTER on the cleaning panel inside the door. (See fig. A)
- Cleaning Hot Key appears on the display (cleaning panel is now active).
- Put a container that holds at least 0.5 litres under the outlet for hot drinks.
- Press button ⑦ on the cleaning panel. (See fig. B)
- The brewing mechanism rotates into position. (See fig. C)
- To close brewer press ENTER key on the cleaning panel, the brewer now rotates to home position.
- Close the door to exit cleaning mode and return to normal mode.

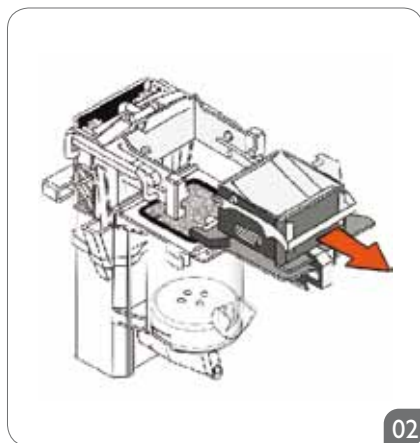


Note "The winder" should be in the 8 o'clock position, if not, remove again and repeat the process.

Disassemble the brewing chamber



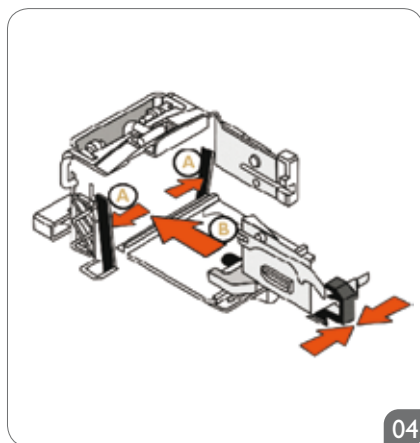
- ▲ **Disassemble the brewing chamber.**
Press and lift up the handle on the brewing chamber.



- ▲ Once you have lifted the handle, pull the brewing chamber straight out.



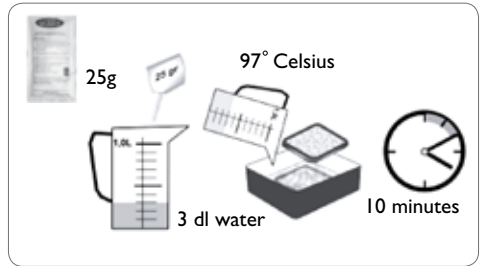
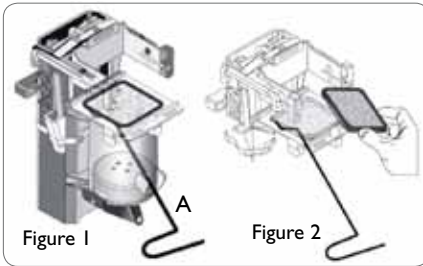
- ▲ **Note:** Rinse the brewing chamber under running water to remove cleaning agent and coffee remains.




- ▲ **Reassemble the brewing chamber.**
Note: When the brewing chamber is reassembled, ensure that the rubber scraper (B) ends up between the rocker arms (A).

Disassemble and cleaning of coffee filter

- Loosen the outlet and insert the tool (A), through one of the holes in the front of the brewing mechanism all the way to the rear part of the cylinder wall (Figure 1), move the tool towards the rear section of the filter insert until the insert is ejected (Figure 2).



- Clean the filter insert with 25g cleaning agent dissolved in 3 dl water for max 10 minutes.
- Refit the filter. Close the door.
- Press the  / **ENTER** button and the brewing mechanism will return to default position.
- Remove user card.

Note

Dispense a cup of coffee and discard it to remove cleaning agent remains in the filter. After having been in contact with the cleaning agent, the filter must be washed with detergent and be carefully rinsed under running water.

Is available from your dealer

Cleaning agent: for brewing mechanism

Filter: for brewing mechanism

Tool: for disassembly of filter

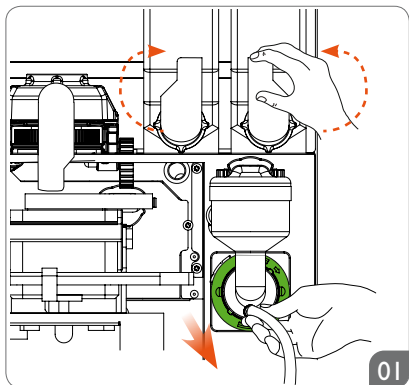
Product No. 1104161

Product No. 47200213

Product No. 4720090

Weekly cleaning

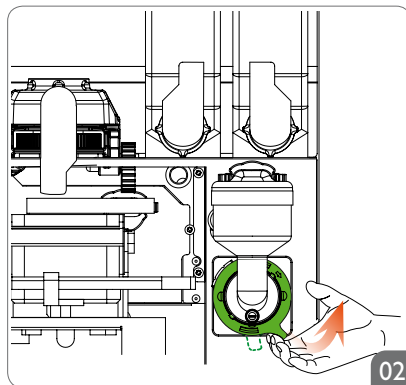
Disassemble mixing system



01

◀ Rotate the canister chutes so they point upwards and pull out the outlet hose.

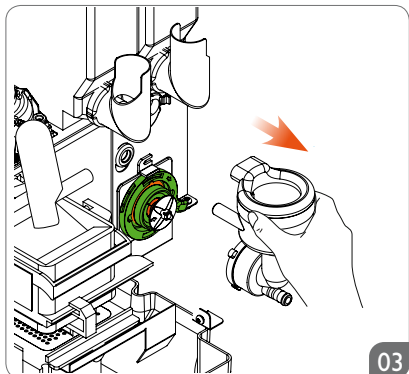
▼ Turn the mounting plate lever anticlockwise.



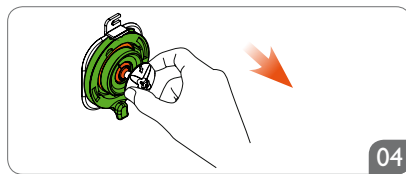
02

◀ Loosen the mixing bowl by pulling it straight out.

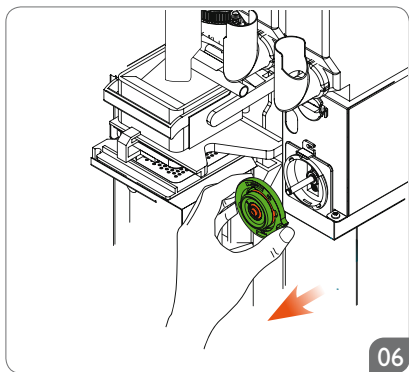
▼ Loosen the whipper by pulling it straight out.



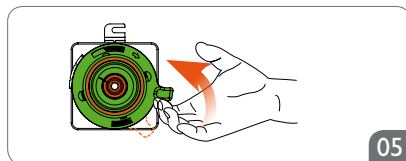
03



04



06



05

▲ Loosen the mounting plate. Turn the lever anticlockwise, until it stops.

▲ Pull the mounting plate straight out.

Reassembling mixing system
See the next page

Weekly cleaning

Wash these parts



Mixing Bowl



Condensation Trap



Mounting Plate



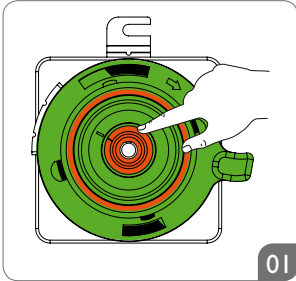
Whipper



Clean with a moist cloth and wipe dry.

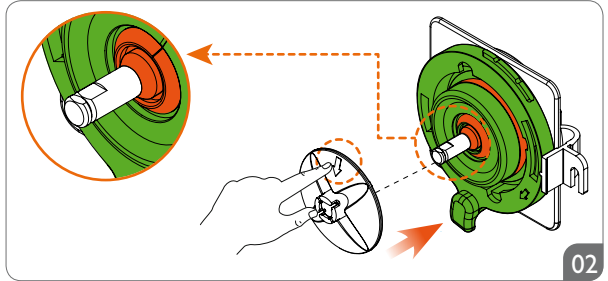
★ All parts must be dry before reassembly.

Reassemble mixing system



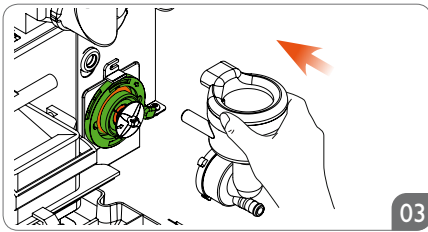
01

▲ Check all seals (red) before reassembly of parts.



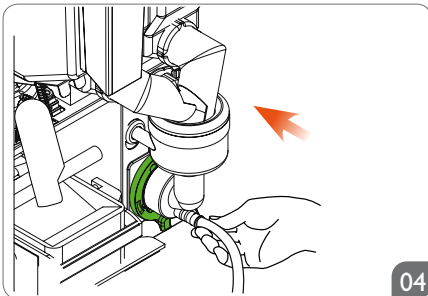
02

▲ The flat side of the whipper shaft must correspond with the marked arrow on the whipper.
To fit the whipper push onto the shaft until a click sound can be heard. It is only possible to assemble the whipper in one way.



03

◀ Fix the mixing bowl and condensation trap. Push-fit the mixing bowl and fix with lever.

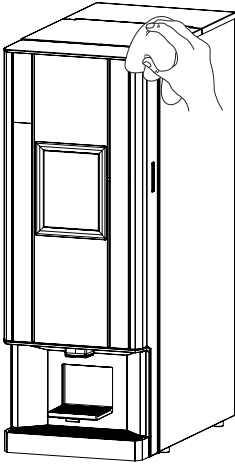


04

◀ Connect the outlet hose.

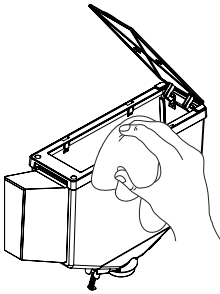
Note Ensure that all water hoses have been connected and fitted.

Exterior cleaning



Exterior cleaning when necessary

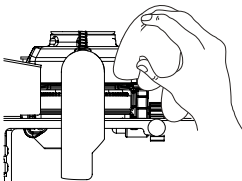
- To clean the exterior of the machine, use a soft cloth and liquid cleaning agent that is non-abrasive.
- If using a machine equipped with touchscreen do not spray cleaning liquid directly on the display. Use only LCD screen cleaner designed for touchscreen cleaning.



Clean the bean hopper

- Close the bean stop.
- Lift the bean hopper up to remove it. Use a soft cloth and liquid cleaning agent that is non-abrasive.

Note Ensure that the bean hopper is completely dry before refitting.



Clean the grinder

- Cleaning of the grinder shall be performed once per month in conjunction with technical maintenance.

Message on display	Indication
Energy Saving Mode	The machine is in energy saving mode.
Not Available	Drink can not be selected as jug.
Heating Water Please Wait...	Low temperature in the water tank, the machine is heating up (blocked).
Low Water Level Press Enter Key	Low water level in water tank. Press enter key to start filling up the water tank.
Filling Water Please Wait...	The machine is filling water.
Warning Low Temperature	Temperature is low, It is still possible to dispense drink.
Low temperature Blocked	Temperature is low, the machine is blocked.
Empty Drip Tray	The drip tray is full of water.
Low Water Level Blocked	The water level in the water tank is low, it is not possible to dispense drink.
Check Water Supply	The water has not reached the correct level in the water tank, check the water inlet hose, restart the machine.
Empty Waste Box	The waste box is full, open the door and empty out the grounds. When closing the door, press E to reset the counter. Selectable in main program.
Change Brewer Filter	The brewing filter is clogged. The filter needs replacing or to be cleaned.
Place Cup	If the cup sensor has been activated, this is shown if no cup has been placed on the drip tray.
Bev. Disabled	The drink has been disabled.
Door Open	The door is open.
Change Water Filter	The water filter needs replacing, press the button E to reset the counter.

Activate programming with the user card



- Insert user card in the card reader (A)
- The display will look like this for membrane switch:



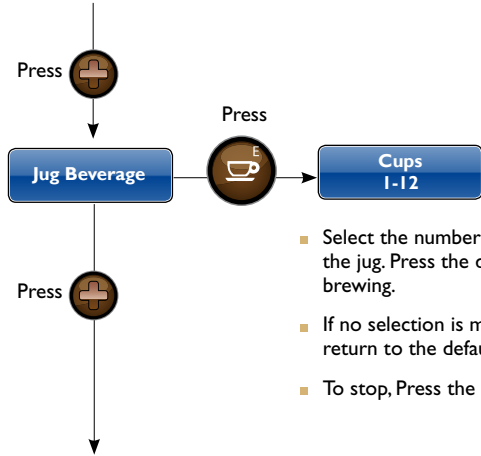
- The display will look like this for touchscreen:



Jug beverage

How to dispense a jug of a drink.

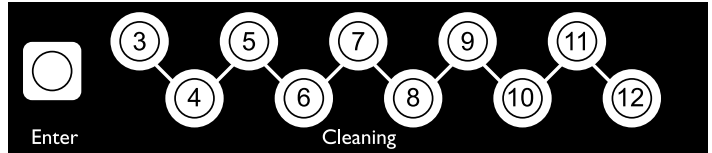
Service Menu
Jug Beverage



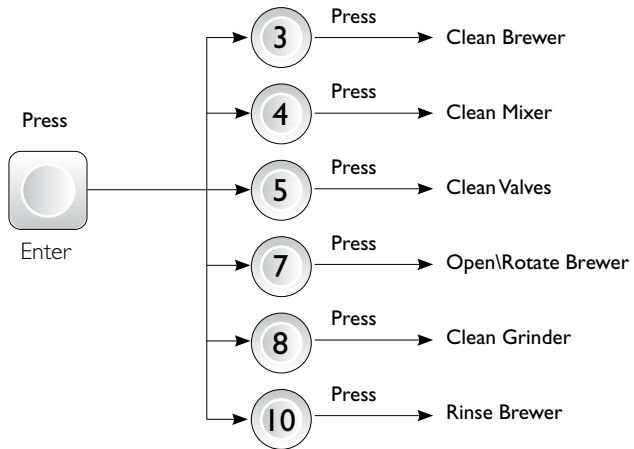
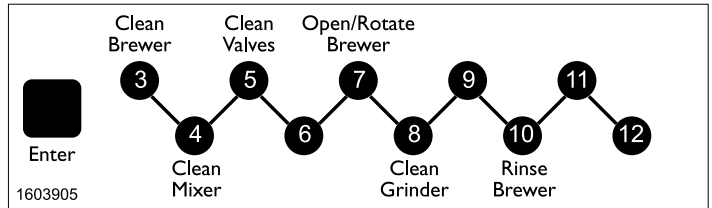
- Select the number of cups to be brewed in the jug. Press the desired drink to start the brewing.
- If no selection is made, remove user card to return to the default setting.
- To stop, Press the STOP button.

Clean machine

Open the door. Press ENTER on the cleaning panel inside the door. Choose button X for each cleaning.



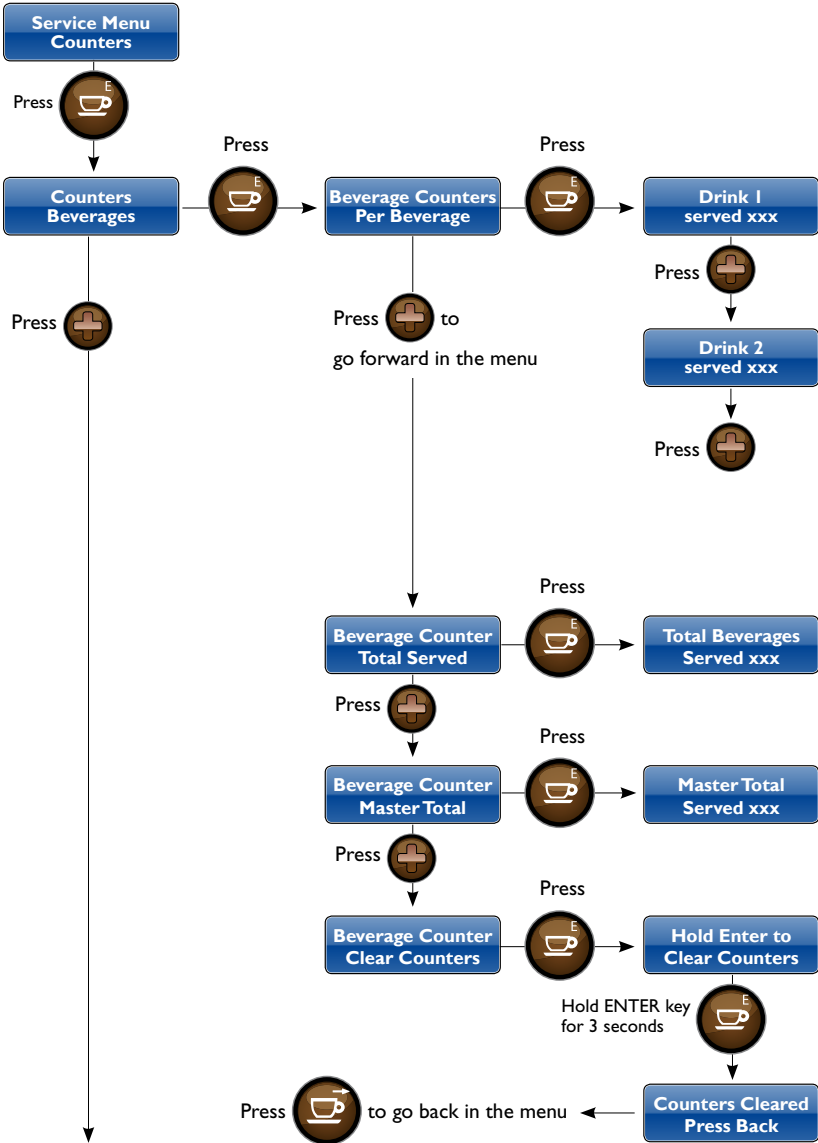
See the pages for cleaning programs in order to perform cleaning.



Counters

See the counter of each drink or total counters for all drinks. It's also possible to reset the drink counters.

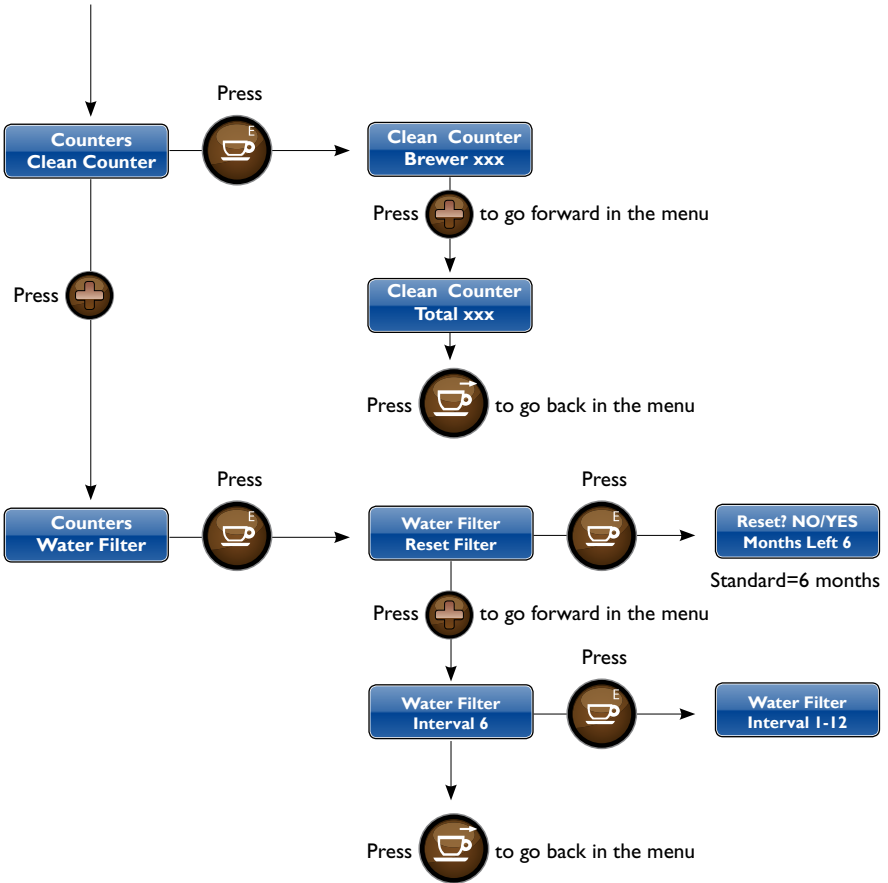
Service Menu
Counters



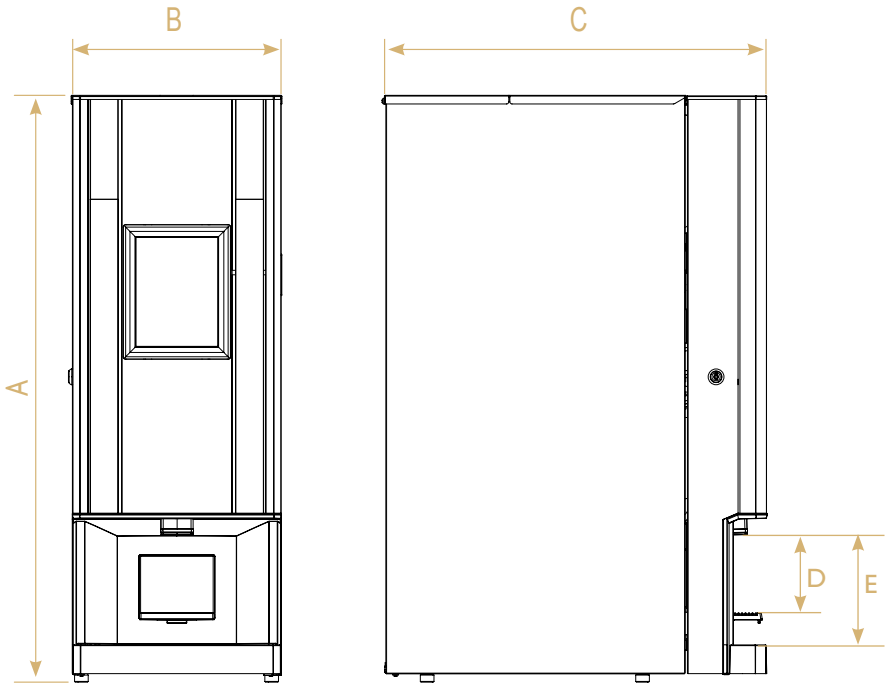
Counters

See the number of times cleaning has been performed or reset the clean counter.

Service Menu
Counters



CQube SF03 SF12 SF20



Model	A	B	C	D	E
CQube SF03	818mm	290mm	532mm	110mm	155mm
CQube SF12	818mm	290mm	532mm	110mm	155mm
CQube SF20	818mm	290mm	532mm	110mm	155mm

For the warranty to be valid the conditions for maintenance must have been followed according to our instructions, proper precaution has been made and warranty claim been issued without delay.

The affected equipment may not be used during awaiting service if there is any risk that the damage or defect would worsen.

The warranty will not cover consumption supplies such as glassware, normal maintenance such as cleaning of filters, contaminations in water, lime, incorrect voltages, pressure or adjustment of water amounts.

The warranty will not cover damages of defects caused by incorrect handling and operation of the appliance.

FOR SERVICE

Please contact your dealer

Your Dealer

