

Cube Ice Machines up to 32 kg



Features

Reliability

Corrosion resistant exterior

Ease of Use

Slide back door allows easy access to ice in the bin
Intuitive control panel allows for quick and easy operation
Ice scoop included

Compact Design

Only 15" wide, the ice maker can be placed in the tightest locations
Optional floor mount kit allows for installation under 34" ADA counter tops

High Production

Produces up to 32 kg per day and stores 16 kg, meeting the ice demands for many different applications.

Quality Ice

Unique evaporator produces crystal clear cubes.

Environmentally Friendly

Low energy consumption.
Non-ozone depleting R134a refrigerant.

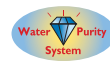
Intuitive Controls



Clear Cube Evaporator Technology



Technologies



	+C° -C°	21°C : 10°C	32°C : 21°C	
		[kg] [lb] N° *	[kg] [lb] N° *	[kg] [lb] N° *
CU 715 MA		32 70 3200	25 56 2500	16 36 1600

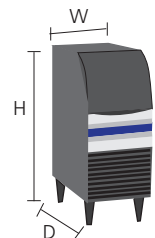
*Estimate number of cubes.



[V/Hz/ph]
220-240/50/1



R134a



This product qualifies for the following listings:



10 g

Medium Cube
22 x 22 x 22 mm
7/8" x 7/8" x 7/8"

Large and slowmelting
ice form, ideal for beverages.

[WxDxH mm]
381 x 610 x 954

[WxDxH inches]
15" x 24" x 38"

2 Years Warranty

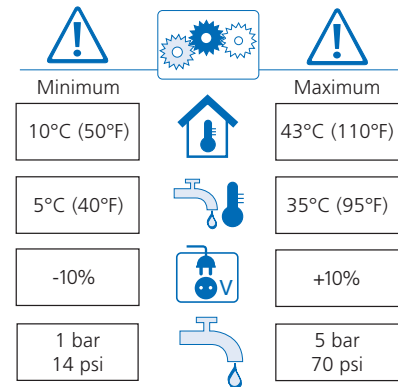
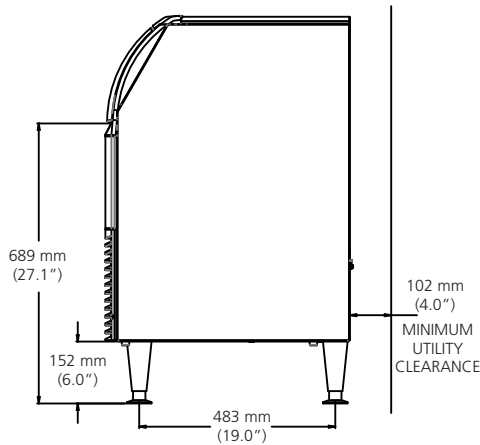
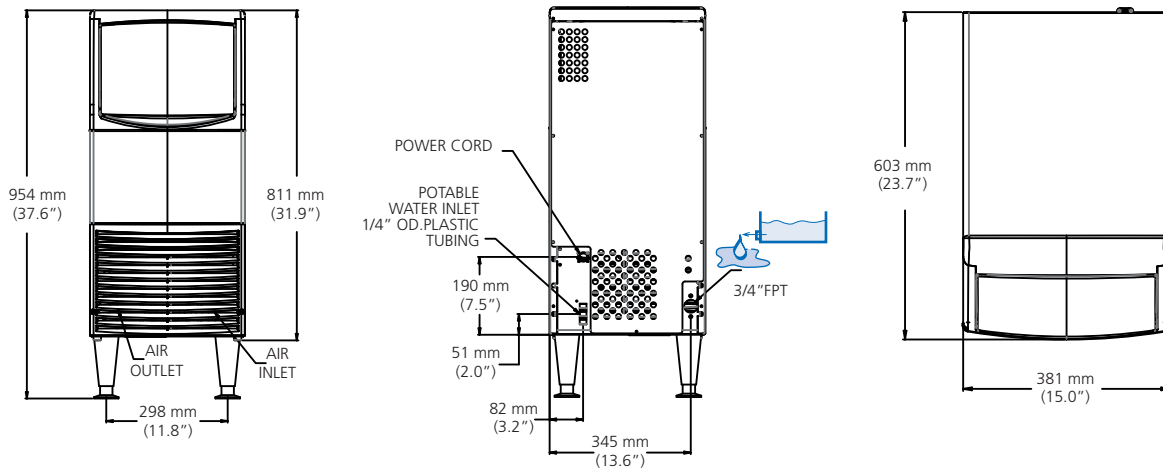
Subject to certain limitations and exclusions

Certified ISO 9001:2008

www.scotsman-ice.it
www.scotsman-ice.com

Other models in this range:
CU 0415 - CU 0920

Cube Ice Machines up to 32 kg



	[°C] [°F]	[Btu/h] [W]	[Ømm ²]	[W]	FUSE	[kWh] - 100 kg	[l/h] [gal/h]	[kg] [lb]	
CU 0715 MA	32°C 90°F	1900 570	3 x 1,5	275	15 A	13	2,7 0,7	46 102	

IMPORTANT NOTICE:
Models and specifications are subject to change without notice.
This spec sheet is meant for commercial purpose only.
For technical documentation please refer to our service manuals.

www.scotsman-ice.it
www.scotsman-ice.com