

Prodigy® Cube Ice Machines up to 90 kg



Features

Prodigy® undercounter cubers use **significantly less energy and water** than other cube ice machines, exceeding Federal energy efficiency regulations.

AutoAlert™ control panel can communicate operating status and signal when it's time to descale, sanitize, and more—making upkeep easier.

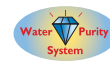
The patented **WaterSense adaptive purge control** delivers maximum reliability by reducing scale buildup for a longer time between cleanings.

All external panel components are crafted for **optimal aesthetic appeal** through superior fit and finish.

Preventative maintenance is simpler than ever with easily-removed door, top panel and storage bin allowing clear access to all internal components and a diagnostic code display insuring the right fix the first time.

Front removable air filter.

Technologies



Front Air Filter

		21°C : 10°C		32°C : 21°C						
		[kg]	[lb]	No.	[kg]		[lb]	No.		
CU 2026 MA		90	198	9000	57	126	5700	36	79	3600
CU 2026 SA		90	198	18000	57	126	11400	36	79	7200

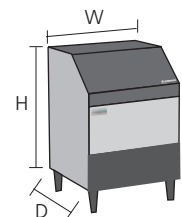
*Estimate number of cubes.



[V/Hz/ph]
220-240/50/1



R404a



[WxDxH mm]
660 x 695 x 838

[WxDxH inches]
26" x 27 3/8" x 33"

This product qualifies for the following listings:



5 g

 Small Cube
 22 x 22 x 9.5 mm
 7/8" x 7/8" x 3/8"

10 g

 Medium Cube
 22 x 22 x 22 mm
 7/8" x 7/8" x 7/8"

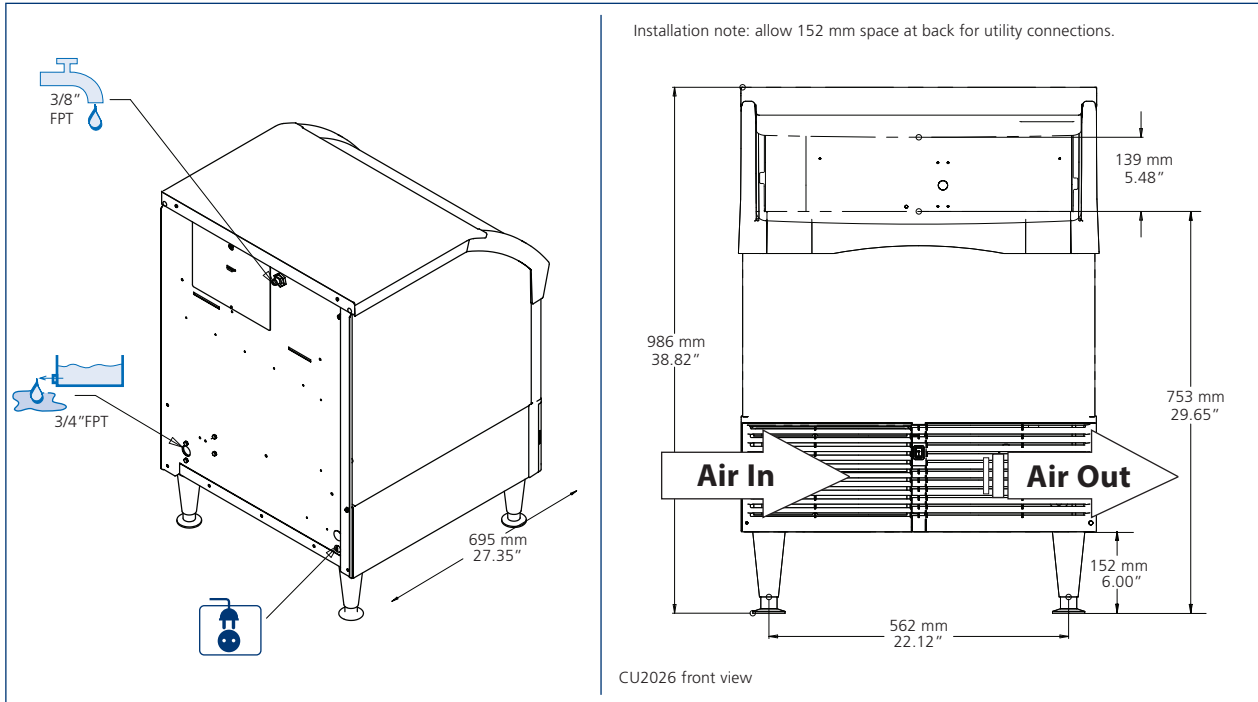
2 Years Warranty

Subject to certain limitations and exclusions

Certified ISO 9001:2000

www.scotsman-ice.it
www.scotsman-ice.com

Prodigy® Cube Ice Machines up to 90 kg



Minimum		Maximum
10°C (50°F)		40°C (100°F)
5°C (40°F)		35°C (95°F)
-10%		+10%
1 BAR 14 psi		5 BAR 70 psi

	+°C -°C	[Btu/h] [W]	[Ømm ²]	[W]	FUSE	100 kg [kWh] - 100 kg	[l/h]		32°C 90°F 21°C 70°F [gal/h]	[kg] [lbs]	[kg] [lbs]	[kg] [lbs]
CU 2026 MA		3900 1135	3 x 1,5	n.a.	15 A	21	4,4	1,1	68 150	80 175	80 175	80 175
CU 2026 SA		3900 1135	3 x 1,5	n.a.	15 A	21	4,4	1,1	68 150	80 175	80 175	80 175

IMPORTANT NOTICE:
Models and specifications are subject to change without notice.
This spec sheet is meant for commercial purpose only.
For technical documentation please refer to our service manuals.

www.scotsman-ice.it
www.scotsman-ice.com

Scotsman®
Ice Systems