

# D Range

## pass through

### DISHWASHER



## D2121

### Maidaid **D2121** Features

- **2 year warranty**
  - Four button bright LED display with soft touch controls, twin traffic lights giving instant status updates & operational self-diagnostics
- 
- Alarms menu with hi-level information retrieval
  - Quick release parallel wash & rinse arm design
  - Triple wash tank filtration system
  - Breaktank as standard
  - Drain pump as standard
  - Three standard cycle time options with a range of special cycles
  - Cycle times can be tailored to site requirements
  - Comprehensive automatic self-cleaning at end of service
  - Selectable energy saving mode
  - Selectable thermostop ensure optimum rinse temperatures
  - Fully double skinned body construction with single skinned hood
  - Patented dual flow wash pump - reducing power consumption whilst retaining wash efficiency
  - Moulded wash tank for easy cleaning
  - Surface scrap tray filters supplied as standard
  - Accurate detergent & rinse aid peristaltic dosing pumps as standard



**D2121**  
(shown with tabling  
– not included)

Supplied with one pegged (capable of holding 18 10" plates), one open rack (capable of holding 25 pint glasses) and cutlery insert.

Additional racks can be purchased at point of order: **Z972001** & **Z972003**



For additional information contact our Sales Team on

T: **0345 130 8070** E: **sales@maidaid-halcyon.co.uk** or visit **www.maidaid.co.uk**

# D Range

## pass through

### DISHWASHER

## D2121



**D2121**  
(shown with tabling –  
not included)

### Technical Data

Dimensions (W x D x H)	mm	640 x 755 x 1370 + Feet	Wash tank element	kW	2.5
Feet height	mm	165-225	Boiler element	kW	6
Rack size	mm	500 x 500	Wash pump	kW	0.7
Maximum useable height	mm	440	Tank capacity	L	22
Door opening	mm	460	Noise emission	dB	≤ 65
Theoretical productivity	Racks/h	51			
Effective productivity	Racks/h	36*			

\*Allowing 30 seconds for reloading

### Packaging Specs

Gross weight	Kg	116
Cubic volume	m <sup>3</sup>	1.02
Dim. (W x D x H)	mm	870 x 760 x 1540

### Power Supply

Installed power	AMP	kW
230V – 50Hz – 1N	20	4.7
	30*	6.7
Optional 3 Phase config	Total load 6.7kW	
Fused	16 amp	

\*Standard configuration

### Water Connection

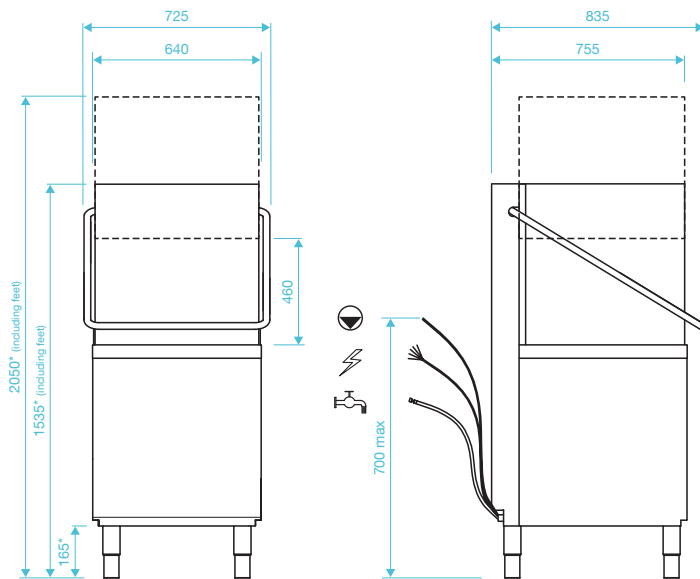
Inlet water pressure	Bar	2 to 4
Flow rate L/Min	L/Min	6
Water inlet temp	°C	10 to 50
Water connection	BSP	¾"
Waste connection	Ø	Int 29/ext 34

### Cycle Information

Number of standard cycles		3
Standard cycles times	Sec	70/90/180
Special cycle		Eco, Glass, Long, Refresh
Self-cleaning cycle		Full self clean
Water consumption per cycle	L	2
Wash temperature	°C	60 – adjustable
Rinse temperature	°C	82 – adjustable

### Installation Diagram –

All services must be within 1 meter



\*Height-adjustable feet + 60mm

- Pumped waste into upstand, maximum height 700mm
- Power
- Water supply 2 – 4 bar

For additional information contact our Sales Team on  
**T: 0345 130 8070 E: sales@maidaid-halcyon.co.uk** or visit **www.maidaid.co.uk**

Maidaid reserve the right to alter specifications & dimensions without prior notification, all dimensions will be +/- 3mm.