



# DISPLAY CASE

MANUAL OF INSTRUCTIONS FOR USE AND INSTALLATION



Thank you for choosing and purchasing our product. Please carefully read the operation instructions before use for a correct application and satisfactory effect.

## **Contents**

- 2 General
- 2 Structure and Parts
- 3 Handle and Erection
- 3 Handle and Erection
- 4 Preparation and Power Supply
- 4 Preparation and Power Supply
- 5 Use and Caution
- 7 Maintenance
- 7 Trouble Shooting
- 8 Principle of Refrigeration System and Electric Circuit Diagram
- 9 Major Parameters

## General

1. Top brand fully enclosed compressor is used on the standing refrigerator. The refrigerant R600a or R134a is of an environmentally friendly agent. It features a rational configuration of refrigeration system with blower forced air cooling. The temperature is quite even inside the refrigerator.
2. Triple hollow transparent glasses are used on door and body. It features an artistic and elegant appearance, perfect perspective and easy access.
3. It has a wide application in department store and house as well as the meeting room and sitting room.

## Structure and Parts



### Handle and Erection

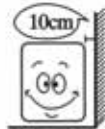
**Handle with care**  
Unplug the wall socket first.  
Never tilt it over 45 degree during handling.



**Dry place**  
Always locate the refrigerator at a dry place.



**Sufficient space**  
The distance from both sides and back of refrigerator to wall or other substance must be **More than 10cm**. The refrigeration capability might be decreased if its surround space is too small to circulate air.

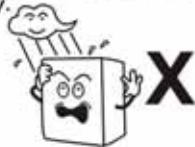


**Well ventilation**  
Always locate the refrigerator at a place with fine ventilation. For the first time use, wait for 2 hours after handling and then plug the wall socket and start it.



### Handle and Erection

**Far from heat source**  
Never place the refrigerator directly under the sunshine. Never locate it nearby any heat source or heater to prevent it from reducing refrigeration capability.



**No heavy load**  
Never put any heavy load on the top of the refrigerator.



**No hole making**  
Never make hole on the refrigerator. Never install other matter on the refrigerator.

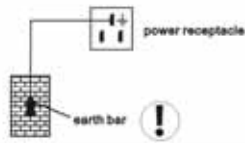


**Stable location**  
Unpacking and locate the refrigerator on a flat and solid place.



### Preparation and Power Supply

**Exclusive power socket**  
Normally, the power supply should be 220-240V single phase AC with exclusive single phase three pin receptacle (250V, 10A) and fuse (6A). The power receptacle must have a reliable earth connection.



**No share on socket**  
Never let the refrigerator share the common socket with other appliance, otherwise the cable becomes hot and fire might be resulted



**Protect cables**  
Never break or damage the cables otherwise current leakage and fire might be resulted.



**No water flushing**  
Never give the refrigerator surface a flush otherwise current leakage might be resulted.



### Preparation and Power Supply

**Prevent from flammables and explosive**  
Never put any flammable or explosive inside the refrigerator such as ether, gasoline, alcohol, adhesive and explosive. Never put dangerous product nearby the refrigerator.



**No spray**  
To spray the flammables such as paint or coating nearby the refrigerator is not allowed, otherwise fire might be resulted.



**After power break**  
After power break or unplugging the refrigerator, always wait at least 5 minutes and then you may plug the refrigerator and start it again.



**No medicine**  
No medicine is allowed to keep inside the refrigerator.



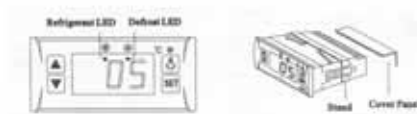
## Use and Caution

### 1. Before use:

Plug the refrigerator on 220-240V~ exclusive socket.

After the refrigerator running, put hand on the air suction to confirm it is sufficient cold. Then you may put food inside the cold box.

### 2. Digital temperature controller





It is a mini-sized and integrated intelligent controller and applicable to the compressor of one Hp.


The main functions are: Temperature Display/Temperature Control/Manual, automatic defrost by turning off/illumination Control/Value Storing /Self Testing /Parameter Locking

### Front panel operation

#### 1. Set temperature


Press  button, the set temperature is displayed.

Press  or  button to modify and store the displayed value.

Press  button to exit the adjustment and display the cold-room temperature.

#### 2. If no more button is pressed within 10 seconds, the cold-room temperature will be displayed.

#### 3. Illumination: Press button, it lights; Press again, it stops.

Manual start/stop defrost: Press  button and hold for 6 seconds to defrost or stop defrost.

#### 4. Refrigerant LED: During refrigeration, the LED is on; When the cold room temp. is constant, the LED is off; During the delay start, the LED flashes.

#### 5. Defrost LED: during defrosting, the LED is on; When it stops defrosting, the LED is off, During the delay display of defrost, the LED flashes.

### 3.Cautions

Shorten the door open time and reduce open frequency is good to keep a cold temperature inside the refrigerator.

Never block the air suction and outlet. Keep air circulation and refrigeration capability.

Do not make food congested as it will influence the cooling effect.

Adjust the rack height for proper food storage.

Cool the hot food down to room temperature before you put it into the refrigerator.

Try to reduce the open times and keep refrigerator inside cold in case the power is cut off.

Only skilled service man is allowed to repair the damaged power cable with special tools.

Never touch compressor to avoid from scald.

If the supply cord is damaged, it must be replaced by the manufacturer, its service agent or similarly qualified persons in order to avoid a hazard.

This appliance is not intended for use by persons (including children) with reduced physical, sensory or mental capabilities, or lack of experience and knowledge, unless they have been given supervision or instruction concerning use of the appliance by a person responsible for their safety.

Children should be supervised to ensure that they do not play with the appliance.

The operation manual are not suitable for the persons (including children) with reduced physical, sensory or mental capabilities, or lack of experience and knowledge.

**WARNING:** Keep ventilation openings, in the appliance enclosure or in the built-in structure, clear of obstruction.

**WARNING:** Do not use mechanical devices of other means to accelerate the defrosting process, other than those recommended by the manufacturer.

**WARNING:** Do not damage the refrigerant circuit.

**WARNING:** Do not use electrical appliances inside the food storage compartments of the appliance, unless they are of the type recommended by the manufacturer.

#### ADDITIONAL WARNING

Caution: risk of fire. The height of the triangle in the symbol shall be at least 15mm.



## Maintenance

### 1. Notice

Often keep the refrigerator clean and periodical maintenance is necessary.

Always unplug the socket before maintenance.

Never use damaged plug or loose socket to prevent from electric shock or short circuit.

Never flush the refrigerator. Never use alkali detergent, soap, gasoline, acetone or brush.

### 2. Clean outside

Dip soft cloth in neutral detergent (tableware detergent) to clean the outside of the refrigerator and then wipe it with dry soft cloth.

### 3. Clean inside

Take rack out for cleaning with water.

Use soft cloth to wipe the box.

### 4. Shut down refrigerator for a long time

Take all food out and unplug the wall socket.

Clean both inside and outside of the refrigerator thoroughly and open the door for sufficient dry.

The glass breaks easily. Keep the glass far from children.

### 5. Replacement of lamp in the light box

If the LED lamp is damaged, it must be replaced by the manufacturer, its service agent.

## Trouble Shooting

| Trouble  | Cause and Remedy  |
|--|---|
| No refrigeration   | Is the plug in socket well?<br>Is the fuse broken?<br>Is there no power?  |
| Unsatisfactory refrigeration   | Is it under the sunshine? Is there any heat source nearby?<br>Is the surrounding ventilation bad?<br>Does the door close well? Does door open for a long time?<br>Is the door seal strip deformed or damaged?<br>Is food congested or too much?<br>Does food block the air suction or outlet?<br>Regulate the temperature controller. |
| Much noise   | The refrigerator does not level.<br>The refrigerator contacts wall or other matter.<br>There is loose part in refrigerator.   |
| Contact local service agent for help if simple trouble shooting does not solve the problems. |   |

## Note

### Following phenomena are not troubles

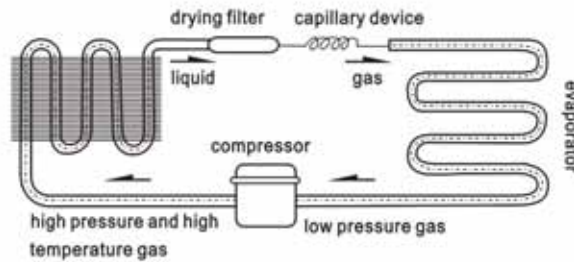
The murmur of water is heard when the refrigerator is working. It is a normal phenomenon as the coolant is circulating in the system.

In wet season, condensation might be found on the outside of the refrigerator. It is not a trouble, which is caused by high humidity. Simply use cloth to wipe it.

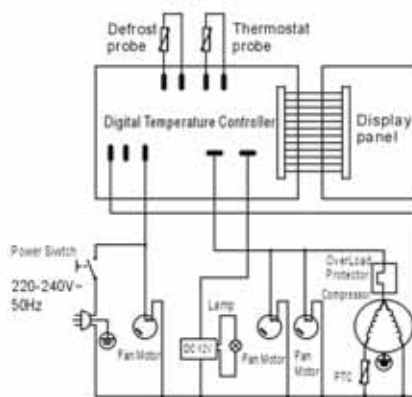


### Principle of Refrigeration System and Electric Circuit Diagram

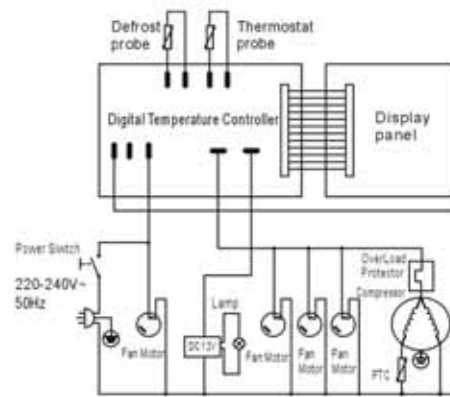
The principle of compression refrigeration consists of “compression” , “condensation” , “throttling” and “vaporization” . The compression is undertaken by compressor, the condensation is completed by condenser, the throttling valve is executed by capillary and the vaporization is implemented by evaporator. When the coolant is circulating in the closed refrigeration system, the compressor sucks coolant, which has absorbs heat in evaporator, the coolant becomes a high pressure and high temperature gas. In condenser, it dissipates heat in air, while the coolant is re-liquefied and throttled in capillary and then enters into evaporator with low pressure. The liquefied coolant quickly boils and vaporizes into gas when the pressure suddenly drops. Meanwhile, it absorbs heat inside the refrigerator. And the compressor sucks the low pressure and low temperature gaseous coolant,…….It is circulating in this way up to realization of intended refrigeration.



### Circuit Diagram



ARC-270Z/ARC-270Y



ARC-370Z/ARC-370Y

### Major Parameters

| Model:                         | ARC-270Z     | ARC-270Y | ARC-370Z      | ARC-370Y      |
|--------------------------------|--------------|----------|---------------|---------------|
| Rated Input Power(W):          | 475          |          | 480           |               |
| Rated Current(A):              | 2.75         |          | 2.8           |               |
| Refrigerant&Injection(g):      | R134a(200)   |          | R134a(280)    |               |
| Refrigeration Temperature(°C): | 2-8          |          |               |               |
| Rated Frequency(Hz):           | 50           |          |               |               |
| Type of Climate:               | 6            |          |               |               |
| Protected Mode:                | I            |          |               |               |
| Lamp Power(W):                 | 3(LED)       |          |               |               |
| Rated Voltage(V):              | 220-240~     |          |               |               |
| Foaming agent:                 | EPS          |          |               |               |
| Storage Volume(L):             | 270          |          | 370           |               |
| Net Weight(kg):                | 163.5        |          | 188           |               |
| Gross Weight(kg):              | 172          |          | 198           |               |
| Overall Dimension(mm)(LxWxH):  | 915x675x1269 |          | 1215x675x1269 | 1215x675x1275 |
| Package Dimension(mm)(LxWxH):  | 965x725x1310 |          | 1265x725x1310 |               |

### Note

1. The electric circuit diagram and parameters on the product nameplate are final ones if they have been changed.
2. The design might be improved without notice.



#### Meaning of crossed out wheeled dustbin:

Do not dispose of electrical appliances as unsorted municipal waste, use separate collection facilities.

Contact you local government for information regarding the collection systems available.

If electrical appliances are disposed of in landfills or dumps, hazardous substances can leak into the groundwater and get into the food chain, damaging your health and well-being.

When replacing old appliances with new ones, the retailer is legally obligated to take back your old appliance for disposals at least free of charge.