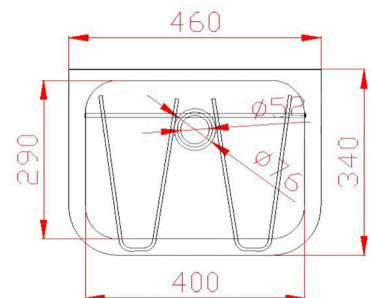
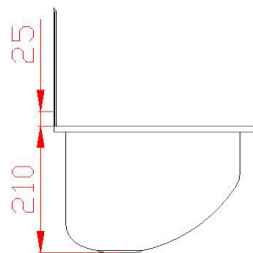
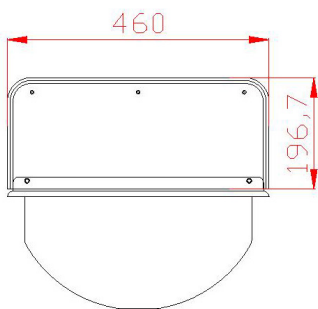


Wall Mounted Bucket Sink - Product No: **DPBSWM**
 Supplied with waste, removable splashback & grid



Specification :	
Material	Stainless steel 304
Material thickness (mm)	0.9
Overall length (mm)	460
Overall width (mm)	340
Overall height (mm)	407
Bowl length (mm)	400
Bowl width (mm)	340
Bowl depth (mm)	210
Splashback height (mm)	197
Overflow	No
Tap ledge	No
Bowl finish	Descaled
Waste size (mm)	38 (1.1/2")
No of waste holes	1
Taps (optional extra)	Bib taps - CHN40/D

Optional Extra: CHN40/D Bib Taps



In accordance with our policy of continued development we reserve the right to alter design and specifications without prior notification